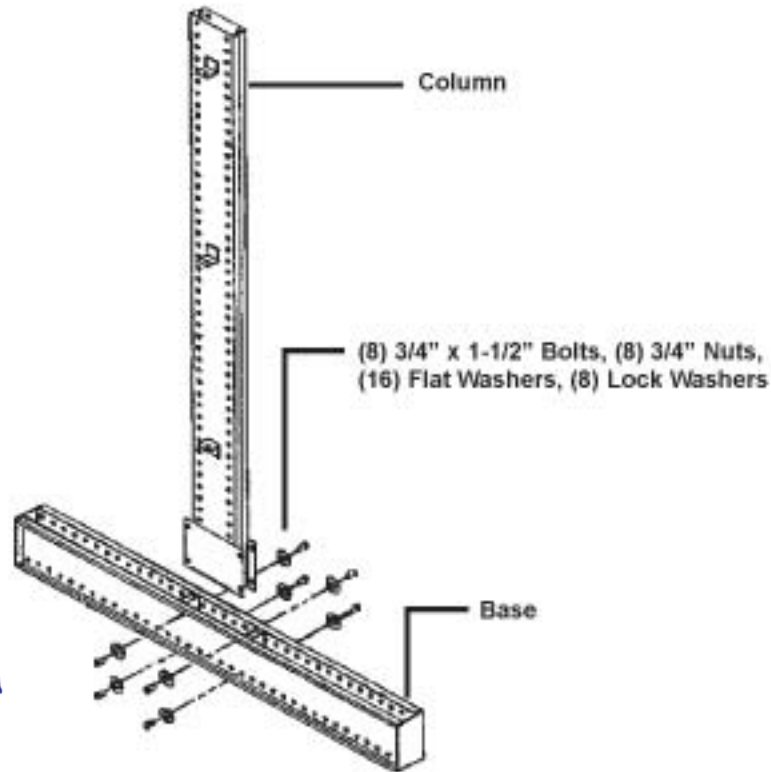


# Installation Instructions for Cantilever Rack

## STEP 1:

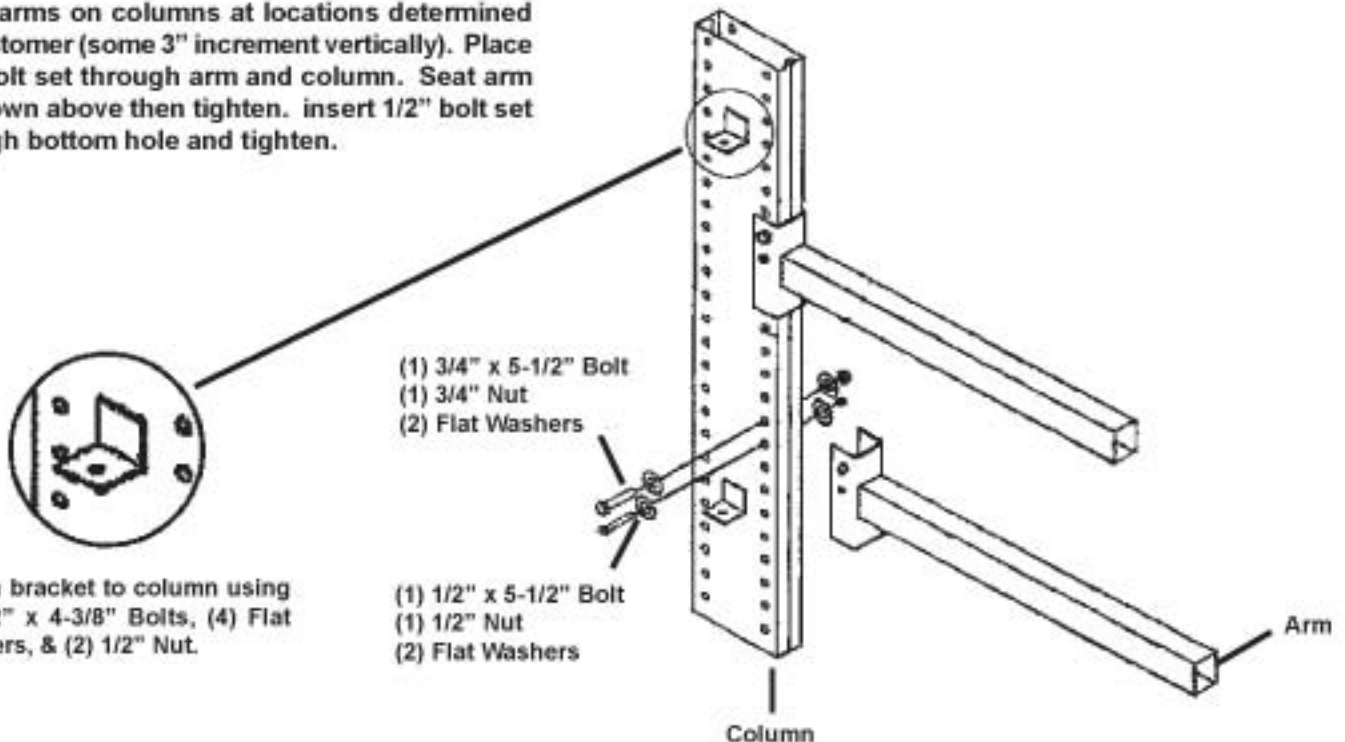
Assemble column to base with Nuts and Bolts provided.



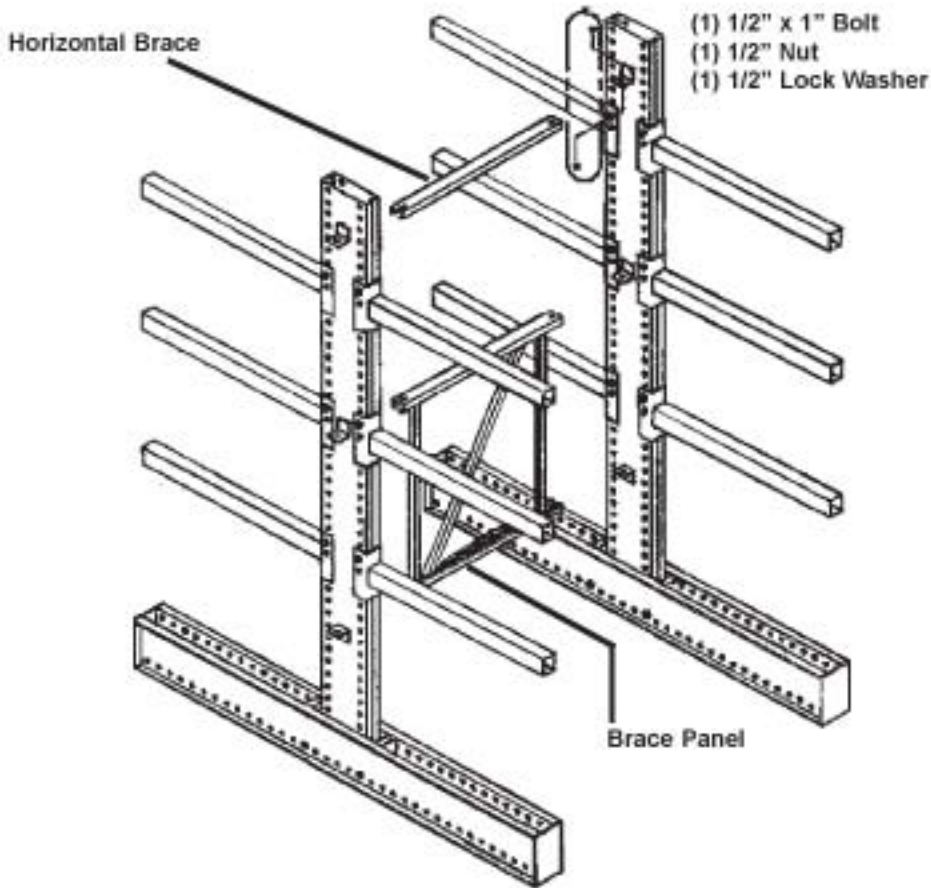
 **Material Handling USA**  
**800-326-4403**  
<https://www.mh-usa.com/>  
[Sales@MaterialHandling-USA.com](mailto:Sales@MaterialHandling-USA.com)

## STEP 2:

Place arms on columns at locations determined by customer (some 3" increment vertically). Place 3/4" bolt set through arm and column. Seat arm as shown above then tighten. Insert 1/2" bolt set through bottom hole and tighten.



Attach bracket to column using (2) 1/2" x 4-3/8" Bolts, (4) Flat Washers, & (2) 1/2" Nut.



### STEP 3:

After in position bolt brace panel(s) and horizontal brace(s) (if required) to columns and tighten bolts.

 **Material Handling USA**  
**800-326-4403**  
<https://www.mh-usa.com/>  
[Sales@MaterialHandling-USA.com](mailto:Sales@MaterialHandling-USA.com)

### STEP 4:

When up and in position, shim columns so they are plumb and anchor. Fill rest of row by adding assembled columns and brace panels as required.

