

LOCKER

SPECIFIERS' GUIDE



LYON[®] | Lockers
Cabinets
Shelving

The standard of excellence for business, industry and institutions

FINISH GUIDE

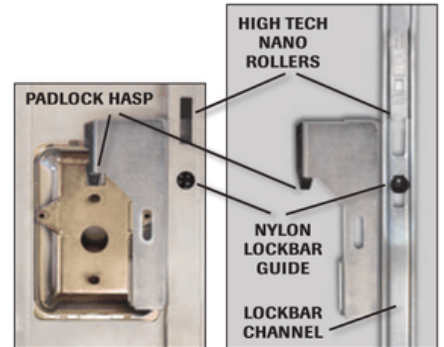
NANO METAL ROLLER LATCHING SYSTEM

For unmatched security, nano metal roller latching system is now standard on single, double and triple-tier lockers

Vandalism and break-in theft are serious problems for schools, businesses and industrial organizations.

Lyon Engineers have developed a patent pending locker latching system that utilizes nano metal roller technology to provide break-in protection compared to existing locker latching systems.

Nylon tamper-resistant lockbar guide ensures proper lockbar alignment for smooth operation, while reducing overall noise by eliminating metal-to-metal contact. Nano rollers ride effortlessly up the door jambs and drop into place, providing break-in protection compared to other locker latching systems. *(Note: for demonstration purposes, top nano roller has been lowered into close proximity with locker handle.)*



- Zamak 3 zinc alloy latch finger - for up to four times the tensile strength than nylon.
- The nano metal roller latch is spring loaded for smooth and flawless performance.

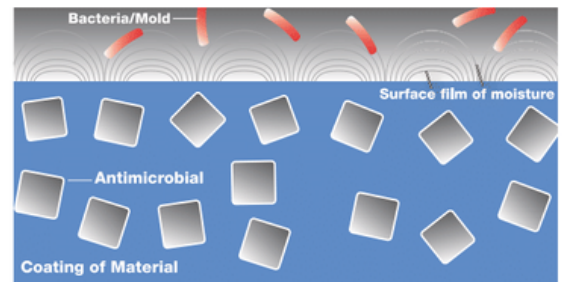
ANTIMICROBIAL FINISH FIGHTS BACTERIAL AND MOLD GROWTH

Antimicrobial lockers are recommended for healthcare, industrial, food processing plants, and educational facilities of all types.

Antimicrobial steel lockers provide continuous protection against the touch transfer of bacteria on the locker surface, as well as colonization of mold and bacteria in the corners, seams and on hidden surfaces behind and under the locker.

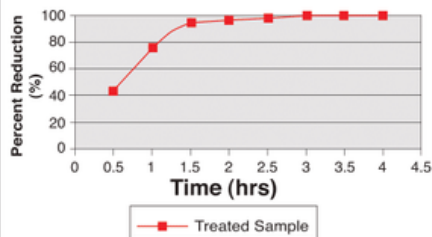
How Does it Work?

Any moisture triggers the controlled release of powerful silver ions (see charts) to provide superior antimicrobial protection for decades. The antimicrobial compound is completely inorganic, less toxic than ordinary table salt, less irritating than talcum powder, and has been approved by the EPA, FDA and NSF for medical devices and food contact applications.



Antimicrobial Performance

% Reduction of Bacteria vs. Time



Tests conducted on epoxy coated stainless steel



LYON[®]

MOST COMMON APPLICATIONS SELECTION GUIDE

Pre-School	Page
Specialty, Cubbies.....	19
Elementary School Corridor	
Standard.....	4
Specialty, ADA.....	19
Middle/Junior High/High School Corridor	
Standard.....	4
Heavy-Duty Corridor.....	6
Heavy-Duty.....	8
Specialty, ADA.....	18, 19
Middle/Junior High/High School Locker Room	
Standard - P.E.	4
Heavy-Duty Corridor.....	6
Heavy-Duty - P.E./Team.....	8, 10
All-Welded.....	12
All-Welded Extreme.....	14
Deluxe Collegiate, Team.....	16
College or University	
Standard - General Use.....	4
Heavy-Duty - General/Team.....	8, 10
Deluxe Collegiate, Team.....	16
Industrial Locker Room	
Standard.....	4
Heavy-Duty.....	8, 10
Specialty, 16" leg lockers.....	18
Health Club Locker Room	
Standard, Value.....	4
Heavy-Duty, Durability.....	8, 10
Specialty.....	18
Recreational Center	
Standard, Value.....	4
Heavy-Duty, Durability.....	8, 10
Office Area	
Standard.....	4
Specialty, ADA.....	18, 19
Employee Locker Area	
Standard, Value.....	4
Heavy-Duty, Durability.....	8
ADA Lockers	
Specialty.....	19
Accessories.....	20
Locker Anchoring.....	24
Finish Guide.....	26
Impacting the Environment.....	27

LOCKER ORDERING CHECK LIST

Locker Size <i>See locker pages for available combinations.</i>	<i>Widths:</i> 9, 12, 15, 18, 21, 24 <i>Depths:</i> 12, 15, 18, 21, 24 <i>Heights:</i> 8, 9, 12, 15, 18, 20, 24, 30, 36, 48, 60, 72
Type of Locker	Standard, Heavy-Duty, Specialty
Type of Construction	Knocked Down, Set-Up, All Welded
Number of Openings Per Frame (Tier)	1, 2, 3, 4, 5, 6, 8, 9
Type of Leg	None, 6", 16"
Type of Base	4" and 6" "Z"-Type, Closed, Kitchen Cabinet, None
Louver or Perforations	Standard Louver, No Louver, Full Louver, Mini-Louver, Full Mini-Louver or Diamond Perforations
Type of Handle	Recessed with Lockbar (Stainless Steel or Zinc), Turn Handle with Lockrods, Single Point, Box Locker Pull Handle, Tamper Guard Handle with Lockbar
Type of Lock	Built In Combination, Built In Key Control, Combination Padlock, Key Control Padlock, Digital Locks, None
Color	Lyon Premier Colors, Special Color, Antimicrobial Properties, Galvannealed, Hammertone
Shelves	16 gauge, 20 gauge, 24 gauge,
Locker Bottom Reinforced	16 gauge, 20 gauge, 24 gauge,
Type of Top	Flat, Individual Slope, Sloping Hood, Integrated Slope



STANDARD LOCKERS

CONFIGURATIONS

Single Tier Lockers

W: 9, 12, 15, 18
 D: 12, 15, 18, 21, 24
 H: 60*, 72*
 H: 37*
 (actual 37-1/32)
 H: 48*
 (actual 48-5/8)



Double Tier Lockers

W: 9, 12, 15, 18
 D: 12, 15, 18, 21, 24
 H: 30*, 36*



Triple Tier Lockers

W: 9, 12, 15
 D: 12, 15, 18, 21
 H: 20*, 24*



Multiple Tier Lockers

Four Tier Lockers

W: 12, 15
 D: 12, 15, 18, 21
 H: 15*, 18*



Five and Six Tier Lockers

W: 12, 15
 D: 12, 15, 18, 21
 H: 12*

*Optional mini-louver ventilation shown. Standard louvers are base option.

FEATURES

- Lockbars feature nano roller latching fingers that engage 12-gauge door jambs for maximum security
- High security single point latches are designed for built-in locks with wrap around technology. Includes padlock hasp
- The door frames are formed by overlapping and welding the junction between the horizontal and vertical members to form a rigid unitized structure that fully frames the door
- Standard hinges are full loop design and provide more strength than larger butt type hinges
- Full loop hinges are inserted through slots in the door and frame to maintain alignment and increase strength
- Door frames include integral full height 16-gauge door strikes to reinforce door edges
- One piece doors formed from 16-gauge prime, high grade class 1 steel
- Three latch points on single tier doors and two on double and triple tier doors
- One piece recessed handle pockets add strength to the handle area and eliminate the vulnerable seams of formed handles
- Soft rubber bumpers, at door jamb locations, cushion door slams

HANDLE OPTIONS



Stainless Steel Recessed Handles* with finger lift offers added safety and security with a clean flush mount appearance. Standard on single, double and triple-tier lockers. Option available for zinc alloy.



Single Point Recessed Handle Latching System operates with no additional moving parts. Available on single, double and triple-tier lockers. Not available on 9" wide lockers. Option available for zinc alloy. *Additional cost option.*



Pull Handles with built-in padlock loop are standard on multiple tier lockers. Optional roll point catch available.



Turn Handles have built-in padlock attachments, and heavy-duty, 3 point locking mechanisms that fully engage the frame. Available on single, double and triple-tier lockers.



Tamper Guard Handles* have built-in padlock loop and slim profile. Available on single, double and triple-tier lockers.

*Lyon lockbar is standard.



Also see ADA lockers on page 19.

*Add 6" to overall height for legs when included.

LYON

STANDARD LOCKERS

Body - 24-gauge steel, flanged to give double thickness of metal at back vertical corners.

Door Frame - 16-gauge formed steel channels. Vertical members have an additional flange to form continuous door strike. Corners are lapped and welded into a rigid assembly. In addition, bottom cross members have tang at each end that fits through slot in rear flange of upright frame member to prevent twisting out of alignment. Top and bottom cross members provide support for front edge of locker top and locker bottom.

Door - One-piece, 16-gauge steel on single, double and triple tier with both vertical edges formed into channel-shaped formation; top and bottom are flanged at 90 degree angle. On multiple tier lockers, hinge side is formed into channel shaped formation with other three sides flanged at 90 degree angle.

Note: Box locker doors, up to and including 15" wide by 15" high, are 18-gauge unless specified otherwise.

Ventilation - Louvers shall be provided as follows:

Locker Styles	Louvers
Single/Double tier lockers - 9"w	Six 3-1/2" louvers top and bottom
Single tier lockers - Over 9"w	Six 6" louvers top and bottom
Double tier lockers - Over 9"w	Six 6" louvers top and bottom
Triple tier lockers - 9"w	Two 3-1/2" louvers top and bottom
Triple tier lockers - Over 9"w	Two 6" louvers top and bottom
Multiple tier lockers	Three 3-1/2" louvers per door for 12" and 15" wide lockers Four 6" louvers per door for lockers 18" wide and over

Door Jambs - 48" and higher single tier lockers have three door jambs; double tier and triple tier lockers have two jambs welded to side of door frames to engage locking device. Design and gauge of jamb prevent freeing of locking device by prying. Each jamb has easily replaceable soft rubber bumpers.

Hinges are less than 2" high, 18-gauge steel, 5 knuckle, full loop design forming double thickness on each leaf. Hinges are set in slot in door and frame and projection welded to frame and securely attached to door; Hinge pins are spun over at ends to resist removal. Single-tier lockers 48", 60" and 72" high have three hinges. All other tiers have two hinges - all on right hand side of door. Optional continuous hinge available.

Quiet Locking Device - Single tier locking device engage frame at three points; double tier and triple tier at two points. Channel shaped locking device with full length reinforcing ribs are a quiet design utilizing nylon guide inserts to reduce metal to metal contact. The locking device includes a latch finger that engages the 12-gauge door jamb. Lock bar is enclosed on three sides and operate within the channel formation of the door. Locking device is prelocking so mechanism can be locked in open position - door locking automatically when closed. An optional single point latch is available except on 9" wide lockers. Box lockers have one-point locking device with a 14-gauge lock clip for attaching padlock. Doors also provide a lock hole filler to permit use of built in lock.

Handles - On single, double and triple tier lockers, handles are stainless steel recessed. No moving parts are to operate against outside surface of locker. Padlock attachment is an integral part of lift which is attached directly to locking bar and protected by fixed handle housing. Handle provides a built in padlock strike. The recessed handle is 4-1/8"w x 6-1/16"h x 1-1/4"d. Multiple tier lockers are equipped with a 16-gauge door pull with padlock attachment when not used with built in locks.

Shelves - Single tier lockers have one 24-gauge shelf approximately 9" below top. Flanged on all four sides for strength with the front flange turned 45 degrees for safety and attached at no less than two points through each side flange. Only single tier lockers 48" and taller have shelves.

Coat Hooks - Single tier, double tier and triple tier lockers have one double prong hook and three single prong wall hooks. 5/8" diameter coat rods are standard in 18" and 21" deep knocked down single tier lockers, replacing ceiling hook. All hooks are zinc plated or subjected to a comparable rust retardant treatment and attached with two nuts and bolts.

Number Plates - Optional aluminum number plates with etched figures at least 3/8" high. All lockers shall have the number plate punching located near top of the doors.

Standard Finish - Exposed steel parts are thoroughly cleaned, given a bonding and rust inhibitive phosphate treatment and then electrostatically sprayed with powder coat. *Note: contact Lyon for finish compatibility with any chemicals.*

Anchoring - To prevent tipping or injury, Lyon strongly recommends that lockers be floor and/or wall anchored. "Z" Type Bases are available for lockers without legs.

Recess Trim - End and top recess trim for lockers are placed in wall recesses with 18-gauge formed steel with a 2-3/4" wide face and are bolted to locker frames.

Top recess trim are in approximately 5'0" lengths with a formed splice cap to cover joints and to hold top recess trim in alignment. End recess trim are 2-3/4" higher than lockers and will lap over ends of top recess trim for a hairline joint at top of corners.

SPECIFICATION SUMMARY

- 16-gauge door and frames
- 24-gauge body parts
- One piece 16-gauge door
- Full loop type hinges
- Secure multi-point locking system
- Stainless steel recessed handles
- Powder coat finish
- Built in padlock loop
- Built in locks are also available (*see page 25*)
- Fully assembled construction optional

MATERIAL

Prime, high grade Class 1 mild annealed, cold-rolled steel free from surface imperfections. A.S.T.M.-A1008. Galvanized steel available for high humidity atmospheres. A.S.T.M.-A653. Bolts to be zinc plated or subjected to other rust-retardant treatment.

Quiet-Plus Eliminating metal to metal contact, all Lyon locker doors are fitted with nylon lockbar guides to reduce clanging and provide smoother, quieter operation.

In addition to quieter lock bars, Lyon Quiet-Plus locker doors include a sound deadening door panel. The resulting combination minimizes noise levels caused by opening and closing locker doors.

CSI Formatted Specifications are available at
www.lyonworkspace.com/architects

Note: There are certain sizes and/or types of lockers that are available in minimum quantity production runs only. Contact your Lyon factory representative for complete details.



HEAVY-DUTY CORRIDOR LOCKERS



CONFIGURATIONS

Single Tier Lockers

W: 9, 12, 15, 18
D: 12, 15, 18, 21, 24
H: 60*, 72*
H: 37*
(actual 37-1/32)
H: 48*
(actual 48-5/8)



Double Tier Lockers

W: 9, 12, 15, 18
D: 12, 15, 18, 21, 24
H: 30*, 36*



Triple Tier Lockers

W: 9, 12, 15
D: 12, 15, 18, 21
H: 20*, 24*



Multiple Tier Lockers

Four Tier Lockers

W: 12, 15
D: 12, 15, 18, 21
H: 15*, 18*



Five and Six Tier Lockers

W: 12, 15
D: 12, 15, 18, 21
H: 12*

*Add 6" to overall height for legs when included.

FEATURES

Lyon Solutions to Locker Abuse:

- Lockbars feature nano roller latching fingers that engage 12-gauge door jambs for maximum security
- High security single point latches are designed for built-in locks with wrap around technology; includes padlock hasp
- The door frames are formed by overlapping and welding the junction between the horizontal and vertical members to form a rigid unitized structure that fully frames the door
- Standard hinges are full loop design and provide more strength than larger butt type hinges
- Full loop hinges are inserted through slots in the door and frame to maintain alignment and increase strength
- Door frames include integral full height 16-gauge door strikes to reinforce door edges
- One piece doors formed from 14-gauge prime, high grade class 1 steel
- Three latch points on single tier doors and two on double and triple tier doors
- One piece recessed handle pockets add strength to the handle area and eliminate the vulnerable seams of formed handles
- Soft rubber bumpers at door jamb locations cushion door slams

HANDLE OPTIONS



Stainless Steel Recessed Handles* with finger lift offers added safety and security with a clean flush mount appearance. Standard on single, double and triple-tier lockers. Option available for zinc alloy.



Single Point Recessed Handle Latching System operates with no additional moving parts. Available on single, double and triple-tier lockers. Not available on 9" wide lockers. Option available for zinc alloy. *Additional cost option.*



Pull Handles with built-in padlock loop are standard on multiple tier lockers. Optional roll point catch available.



Turn Handles have built-in padlock attachments, and heavy-duty, 3 point locking mechanisms that fully engage the frame. Available on single, double and triple-tier lockers.



Tamper Guard Handles* have built-in padlock loop and slim profile. Available on single, double and triple-tier lockers.

*Lyon lockbar is standard.



Also see ADA lockers on page 19.

Body - 24-gauge steel, flanged to give double thickness of metal at back vertical corners.

Door Frame - 16-gauge formed steel channels. Vertical members shall have an additional flange to form continuous door strike. Corners shall be lapped and welded into a rigid assembly. In addition, bottom cross members shall have tang at each end that fits through slot in rear flange of upright frame member to prevent twisting out of alignment. Top and bottom cross members shall provide support for front edge of locker top and locker bottom.

Door - One-piece, 14-gauge steel on single, double and triple tier with both vertical edges formed into channel-shaped formation; top and bottom shall be flanged at 90 degree angle. On multiple tier lockers, hinge side shall be formed into channel shaped formation with other three sides flanged at 90 degree angle.

Ventilation - Louvers shall be provided as follows:

Locker Styles	Louvers
Single/Double tier lockers - 9"w	Six 3-1/2" louvers top and bottom
Single tier lockers - Over 9"w	Six 6" louvers top and bottom
Double tier lockers - Over 9"w	Six 6" louvers top and bottom
Triple tier lockers - 9"w	Two 3-1/2" louvers top and bottom
Triple tier lockers - Over 9"w	Two 6" louvers top and bottom
Multiple tier lockers	Three 3-1/2" louvers per door for 12" and 15" wide lockers Four 6" louvers per door for lockers 18" wide and over

Door Jambs - 48" and higher single tier lockers shall have three door jambs; double tier and triple tier lockers shall have two jambs welded to side of door frames to engage locking device. Design and gauge of jamb shall prevent freeing of locking device by prying. Each jamb shall have easily replaceable soft rubber bumper.

Hinges - Shall be not less than 2" high, .050" steel, 5 knuckle, full loop design forming double thickness on each leaf. Hinges to be set in slot in door and frame and projection welded to frame and securely attached to door. Hinge pin to be spun over at ends to resist removal. Single-tier lockers 48", 60" and 72" high to have three hinges. All other tiers to have two hinges - all on right hand side of door. Optional continuous hinge available.

Quiet Locking Device - Single tier locking device shall engage frame at three points; double tier and triple tier at two points. Channel shaped locking device with full length reinforcing ribs shall be a quiet design utilizing nylon guide inserts to reduce metal to metal contact. The locking device shall include a latch finger that engages the 12-gauge door jamb. Lock bar shall be enclosed on three sides and operate within the channel formation of the door. Locking device shall be prelocking so mechanism can be locked in open position - door locking automatically when closed. An optional single point latch shall be available except on 9" wide lockers. Box locker shall have one-point locking device with a 14-gauge lock clip for attaching padlock. Doors also to be provided with lock hole filler to permit use of built in lock.

Handles - On single, double and triple tier lockers, handles shall be stainless steel recessed. No moving parts are to operate against outside surface of locker. Padlock attachment to be integral part of lift which shall be attached directly to locking bar and protected by fixed handle housing. Handle to provide built in padlock strike. The recessed handle shall be 4-1/8"w x 6-1/16"h x 1-1/4"d. Multiple tier lockers shall be equipped with a 16 gauge door pull with padlock attachment when not used with built in locks.

Shelves - Single tier lockers shall have one 24-gauge shelf approximately 9" below top. Flanged on all four sides for strength with the front flange turned 45 degrees for safety and attached at no less than two points through each side flange. Only single tier 48" high and taller lockers have shelves.

Coat Hooks - Single tier, double tier and triple tier lockers shall have one double prong hook and three single prong wall hooks. 5/8" diameter coat rods are standard in 18" and 21" deep knocked down single tier lockers, replacing ceiling hook. All hooks to be zinc-plated or subjected to a comparable rust retardant treatment and attached with two nuts and bolts.

Number Plates - Optional aluminum number plates with etched figures at least 3/8" high. All lockers shall have the number plate punching located at the near top of the doors.

Standard Finish - Exposed steel parts shall be thoroughly cleaned, given a bonding and rust inhibitive phosphate treatment and then electrostatically sprayed with a powder coat.

NOTE: Contact Lyon for finish compatibility with any chemicals.

Anchoring - To prevent tipping or injury, Lyon strongly recommends that lockers be floor and/or wall anchored. "Z" Type Bases are available for lockers without legs.

Recess Trim - End and top recess trim for lockers to be placed in wall recesses shall be 18-gauge formed steel with a 2-3/4" wide face and shall be bolted to locker frames.

Top recess trim to be in approximately 5'0" lengths with a formed splice cap to cover joints and to hold top recess trim in alignment. End recess trim to be 2-3/4" higher than lockers and will lap over ends of top recess trim for a hairline joint at top of corners.

LYON®

HEAVY-DUTY CORRIDOR LOCKERS

SPECIFICATION SUMMARY

- 14-gauge door with 16-gauge frame
- 24-gauge body parts
- One piece 14-gauge door
- Full loop type hinges
- Powder coat finish
- Secure multi-point locking system
- Stainless steel recessed handles
- Built-in padlock loop
- Built-in locks also available
(see page 25)
- Fully assembled construction optional

MATERIAL

Prime, high grade Class 1 mild annealed cold-rolled steel free from surface imperfections. A.S.T.M.-A1008. Galvannealed steel available for high humidity atmospheres. A.S.T.M.-A653. Bolts to be zinc plated or subjected to other rust-retardant treatment.

Quiet-Plus Eliminating metal to metal contact, all Lyon locker doors are fitted with nylon lockbar guides to reduce clanging and provide smoother, quieter operation.

In addition to quieter lock bars, Lyon Quiet-Plus locker doors include a sound deadening door panel. The resulting combination minimizes noise levels caused by opening and closing locker doors.

CSI Formatted Specifications are available at
www.lyonworkspace.com/architects

Note: There are certain sizes and/or types of lockers that are available in minimum quantity production runs only. Contact your Lyon factory representative for complete details.

 **Material Handling USA**
800-326-4403

LYON[®]

HEAVY-DUTY LOCKERS



CONFIGURATIONS

Single Tier Lockers

W: 9, 12, 15, 18
D: 12, 15, 18, 21, 24
H: 60*, 72*
H: 37*
(actual 37-1/32)
H: 48*
(actual 48-5/8)



Double Tier Lockers

W: 9, 12, 15, 18
D: 12, 15, 18, 21, 24
H: 30*, 36*



Triple Tier Lockers

W: 9, 12, 15
D: 12, 15, 18, 21
H: 20*, 24*



Multiple Tier Lockers

Four Tier Lockers

W: 12, 15
D: 12, 15, 18, 21
H: 15*, 18*



Five and Six Tier Lockers

W: 12, 15
D: 12, 15, 18, 21
H: 12*

Add 6" to overall height for legs when included.

FEATURES

Lyon Solutions to Locker Abuse:

- Lockbars feature nano roller latching fingers that engage 12-gauge door jambs for maximum security
- High security single point latches are designed for built-in locks with wrap around technology; includes padlock hasp
- The door frames are formed by overlapping and welding the junction between the horizontal and vertical members to form a rigid unitized structure that fully frames the door
- Standard hinges are full loop design and provide more strength than larger butt type hinges
- Full loop hinges are inserted through slots in the door and frame to maintain alignment and increase strength
- Door frames include integral full height 16-gauge door strikes to reinforce door edges
- One piece doors formed from 14-gauge prime, high grade class 1 steel
- Three latch points on single tier doors and two on double and triple tier doors
- One piece recessed handle pockets add strength to the handle area and eliminate the vulnerable seams of formed handles
- Soft rubber bumpers at door jamb locations cushion door slams

HANDLE OPTIONS



Stainless Steel Recessed Handles* with finger lift offers added safety and security with a clean flush mount appearance. Standard on single, double and triple-tier lockers. Option available for zinc alloy.



Single Point Recessed Handle Latching System operates with no additional moving parts. Available on single, double and triple-tier lockers. Not available on 9" wide lockers. Option available for zinc alloy. *Additional cost option.*



Pull Handles with built-in padlock loop are standard on multiple tier lockers. Optional roll point catch available.



Turn Handles have built-in padlock attachments, and heavy-duty, 3 point locking mechanisms that fully engage the frame. Available on single, double and triple-tier lockers.



Tamper Guard Handles* have built-in padlock loop and slim profile. Available on single, double and triple-tier lockers.

*Lyon lockbar is standard.



Also see ADA lockers on page 19.

HEAVY-DUTY LOCKERS

Body - 16-gauge steel, flanged to give double thickness of metal at back vertical corners. 18-gauge backs.

Door Frame - 16-gauge formed steel channels. Vertical members shall have an additional flange to form continuous door strike. Corners shall be lapped and welded into a rigid assembly. In addition, bottom cross members shall have tang at each end that fits through slot in rear flange of upright frame member to prevent twisting out of alignment. Top and bottom cross members shall provide support for front edge of locker top and locker bottom.

Door - One-piece, 14-gauge steel on single, double and triple tier with both vertical edges formed into channel-shaped formation; top and bottom shall be flanged at 90 degree angle. On multiple tier lockers, hinge side shall be formed into channel shaped formation with other three sides flanged at 90 degree angle.

Ventilation - Louvers shall be provided as follows:

Locker Styles	Louvers
Single/Double tier lockers - 9"w	Six 3-1/2" louvers top and bottom
Single tier lockers - Over 9"w	Six 6" louvers top and bottom
Double tier lockers - Over 9"w	Six 6" louvers top and bottom
Triple tier lockers - 9"w	Two 3-1/2" louvers top and bottom
Triple tier lockers - Over 9"w	Two 6" louvers top and bottom
Multiple tier lockers	Three 3-1/2" louvers per door for 12" and 15" wide lockers Four 6" louvers per door for lockers 18" wide and over

Door Jambs - 48" and higher single tier lockers shall have three door jambs; double tier and triple tier lockers shall have two jambs welded to side of door frames to engage locking device. Design and gauge of jamb shall prevent freeing of locking device by prying. Each jamb shall have easily replaceable soft rubber bumper.

Hinges - Shall be not less than 2" high, .050" steel, 5 knuckle, full loop design forming double thickness on each leaf. Hinges to be set in slot in door and frame and projection welded to frame and securely attached to door. Hinge pin to be spun over at ends to resist removal. Single-tier lockers 48", 60" and 72" high to have three hinges. All other tiers to have two hinges - all on right hand side of door. Optional continuous hinge available.

Quiet Locking Device - Single tier locking device shall engage frame at three points; double tier and triple tier at two points. Channel shaped locking device with full length reinforcing ribs shall be a quiet design utilizing nylon guide inserts to reduce metal to metal contact. The locking device shall include a latch finger that engages the 12-gauge door jamb. Lock bar shall be enclosed on three sides and operate within the channel formation of the door. Locking device shall be prelocking so mechanism can be locked in open position - door locking automatically when closed. An optional single point latch shall be available except on 9" wide lockers. Box locker shall have one-point locking device with a 14-gauge lock clip for attaching padlock. Doors also to be provided with lock hole filler to permit use of built in lock.

Handles - On single, double and triple tier lockers, handles shall be stainless steel recessed. No moving parts are to operate against outside surface of locker. Padlock attachment to be integral part of lift which shall be attached directly to locking bar and protected by fixed handle housing. Handle to provide built in padlock strike. The recessed handle shall be 4-1/8"w x 6-1/16"h x 1-1/4"d. Multiple tier lockers shall be equipped with a 16 gauge door pull with padlock attachment when not used with built in locks.

Shelves - Single tier lockers shall have one 16-gauge shelf approximately 9" below top. Flanged on all four sides for strength with the front flange turned 45 degrees for safety and attached at no less than two points through each side flange. Only single tier 48" and taller lockers have shelves.

Coat Hooks - Single tier, double tier and triple tier lockers shall have one double prong hook and three single prong wall hooks. 5/8" diameter coat rods are standard in 18" and 21" deep knocked down single tier lockers, replacing ceiling hook. All hooks to be zinc-plated or subjected to a comparable rust retardant treatment and attached with two nuts and bolts.

Number Plates - Optional aluminum number plates with etched figures at least 3/8" high. All lockers shall have the number plate punching located at the near top of the doors.

Standard Finish - Exposed steel parts shall be thoroughly cleaned, given a bonding and rust inhibitive phosphate treatment and then electrostatically sprayed with a powder coat.

NOTE: Contact Lyon for finish compatibility with any chemicals.

Anchoring - To prevent tipping or injury, Lyon strongly recommends that lockers be floor and/or wall anchored. "Z" Type Bases are available for lockers without legs.

Recess Trim - End and top recess trim for lockers to be placed in wall recesses shall be 18-gauge formed steel with a 2-3/4" wide face and shall be bolted to locker frames.

Top recess trim to be in approximately 5'0" lengths with a formed splice cap to cover joints and to hold top recess trim in alignment. End recess trim to be 2-3/4" higher than lockers and will lap over ends of top recess trim for a hairline joint at top of corners.

SPECIFICATION SUMMARY

- 14-gauge door with 16-gauge frame
- 16-gauge body parts with 18-gauge backs
- One piece 14-gauge door
- Full loop type hinges
- Powder coat finish
- Secure multi-point locking system
- Stainless steel recessed handles
- Built-in padlock loop
- Built in locks are also available
(see page 25)
- Fully assembled construction optional

MATERIAL

Prime, high grade Class 1 mild annealed, cold-rolled steel free from surface imperfections. A.S.T.M.-A1008. Galvanized steel available for high humidity atmospheres. A.S.T.M.-A653. Bolts to be zinc plated or subjected to other rust-retardant treatment.

Quiet-Plus Eliminating metal to metal contact, all Lyon locker doors are fitted with nylon lockbar guides to reduce clanging and provide smoother, quieter operation.

In addition to quieter lock bars, Lyon Quiet-Plus locker doors include a sound deadening door panel. The resulting combination minimizes noise levels caused by opening and closing locker doors.

CSI Formatted Specifications are available at
www.lyonworkspace.com/architects

Note: There are certain sizes and/or types of lockers that are available in minimum quantity production runs only. Contact your Lyon factory representative for complete details.

LYON®

HEAVY-DUTY VENTILATED LOCKERS



CONFIGURATIONS

Single Tier Ventilated Lockers

W: 9, 12, 15, 18
D: 12, 15, 18, 21, 24
H: 60*, 72*

H: 37*
(actual 37-1/32)
H: 48*
(actual 48-5/8)



Double Tier Ventilated Lockers

W: 9, 12, 15, 18
D: 12, 15, 18, 21, 24
H: 30*, 36*



Triple Tier Ventilated Lockers

W: 9, 12, 15
D: 12, 15, 18, 21
H: 20*, 24*



Multiple Tier Ventilated Lockers

Four Tier Ventilated Lockers

W: 12, 15
D: 12, 15, 18, 21
H: 15*, 18*

Five and Six Tier Ventilated Lockers

W: 12, 15
D: 12, 15, 18, 21
H: 12*



*Add 6" to overall height for legs when included.

FEATURES

- Lockbars feature nano roller latching fingers that engage 12-gauge door jambs for maximum security
- High security single point latches are designed for built-in locks with wrap around technology. Includes padlock hasp
- The door frames are formed by overlapping and welding the junction between the horizontal and vertical members to form a rigid unitized structure that fully frames the door
- Standard hinges are full loop design and provide more strength than larger butt type hinges
- Full loop hinges are inserted through slots in the door and frame to maintain alignment and increase strength
- Door frames include integral full height 16-gauge door strikes to reinforce door edges
- One piece doors formed from 14-gauge prime, high grade class 1 steel
- Three latch points on single tier doors and two on double and triple tier doors
- One piece recessed handle pockets add strength to the handle area and eliminate the vulnerable seams of formed handles
- Soft rubber bumpers, at door jamb locations, cushion door slams
- Doors and sides include diamond perforated ventilation

HANDLE OPTIONS



Stainless Steel Recessed Handles* with finger lift offers added safety and security with a clean flush mount appearance. Standard on single, double and triple-tier lockers. Option available for zinc alloy.



Single Point Recessed Handle Latching System operates with no additional moving parts. Available on single, double and triple-tier lockers. Not available on 9" wide lockers. Option available for zinc alloy. *Additional cost option.*



Pull Handles with built-in padlock loop are standard on multiple tier lockers. Optional roll point catch available.



Turn Handles have built-in padlock attachments, and heavy-duty, 3 point locking mechanisms that fully engage the frame. Available on single, double and triple-tier lockers.



Tamper Guard Handles* have built-in padlock loop and slim profile. Available on single, double and triple-tier lockers.

*Lyon lockbar is standard.



Also see ADA lockers on page 19.

Body - 16-gauge steel, flanged to give double thickness of metal at back vertical corners. 18-gauge backs.

Door Frame - 16-gauge formed steel channels. Vertical members shall have an additional flange to form continuous door strike. Corners shall be lapped and welded into a rigid assembly. In addition, bottom cross members shall have tang at each end that fits through slot in rear flange of upright frame member to prevent twisting out of alignment. Top and bottom cross members shall provide support for front edge of locker top and locker bottom.

Door - One-piece, 14-gauge steel on single, double and triple tier with both vertical edges formed into channel-shaped formation; top and bottom shall be flanged at 90 degree angle. On multiple tier lockers, hinge side shall be formed into channel shaped formation with other three sides flanged at 90 degree angle.

Ventilation - Sides and doors shall be punched with diamond shaped perforations. Optional solid sides available.

Door Jamb - 48" and higher single tier lockers shall have three door jambs; double tier and triple tier lockers shall have two jambs welded to side of door frames to engage locking device. Design and gauge of jamb shall prevent freeing of locking device by prying. Each jamb shall have easily replaceable soft rubber bumper.

Hinges - Shall be not less than 2" high, .050" steel, 5 knuckle, full loop design forming double thickness on each leaf. Hinges to be set in slot in door and frame and projection welded to frame and securely attached to door. Hinge pin to be spun over at ends to resist removal. Single-tier lockers 48", 60" and 72" high to have three hinges. All other tiers to have two hinges - all on right hand side of door. Optional continuous hinge available.

Quiet Locking Device - Single tier locking device shall engage frame at three points; double tier and triple tier at two points. Channel shaped locking device with full length reinforcing ribs shall be a quiet design utilizing nylon guide inserts to reduce metal to metal contact. The locking device shall include a latch finger that engages the 12-gauge door jamb. Lock bar shall be enclosed on three sides and operate within the channel formation of the door. Locking device shall be prelocking so mechanism can be locked in open position - door locking automatically when closed. An optional single point latch shall be available except on 9" wide lockers. Box locker shall have one-point locking device with a 14-gauge lock clip for attaching padlock. Doors also to be provided with lock hole filler to permit use of built in lock.

Handles - On single, double and triple tier lockers, handles shall be stainless steel recessed. No moving parts are to operate against outside surface of locker. Padlock attachment to be integral part of lift which shall be attached directly to locking bar and protected by fixed handle housing. Handle to provide built in padlock strike. The recessed handle shall be 4-1/8"w x 6-1/16"h x 1-1/4"d. Multiple tier lockers shall be equipped with a 16-gauge door pull with padlock attachment when not used with built in locks.

Shelves - Single tier lockers shall have one 16-gauge shelf approximately 9" below top. Flanged on all four sides for strength with the front flange turned 45 degrees for safety and attached at no less than two points through each side flange. Only single tier lockers 48" and taller have shelves.

Coat Hooks - Single tier, double tier and triple tier lockers shall have one double prong hook and three single prong wall hooks. 5/8" diameter coat rods are standard in 18" and 21" deep knocked down single tier lockers, replacing ceiling hook. All hooks to be zinc-plated or subjected to a comparable rust retardant treatment and attached with two nuts and bolts.

Number Plates - Optional aluminum number plates with etched figures at least 3/8" high. All lockers shall have the number plate punching located at the near top of the doors.

Standard Finish - Exposed steel parts shall be thoroughly cleaned, given a bonding and rust inhibitive phosphate treatment and then electrostatically sprayed with powder coat.

NOTE: Contact Lyon for finish compatibility with any chemicals.

Anchoring - To prevent tipping or injury, Lyon strongly recommends that lockers be floor and/or wall anchored. "Z" Type Bases are available for lockers without legs.

Recess Trim - End and top recess trim for lockers to be placed in wall recesses shall be 18-gauge formed steel with a 2-3/4" wide face and shall be bolted to locker frames.

Top recess trim to be in approximately 5'0" lengths with a formed splice cap to cover joints and to hold top recess trim in alignment. End recess trim to be 2-3/4" higher than lockers and will lap over ends of top recess trim for a hairline joint at top of corners.

LYON[®]

HEAVY-DUTY VENTILATED LOCKERS

SPECIFICATION SUMMARY

- 14-gauge door with 16-gauge frame
- 16-gauge body parts with 18-gauge backs
- Full loop type hinges
- Secure multi-point locking system
- Stainless steel recessed handles
- One piece 14-gauge door
- Powder coat finish
- Doors and sides punched with diamond shaped perforations
- Built in padlock loop
- Built in locks are also available (*see page 25*)
- Fully assembled construction optional

MATERIAL

Prime, high grade Class 1 mild annealed, cold-rolled steel free from surface imperfections. A.S.T.M.-A1008. Galvannealed steel available for high humidity atmospheres. A.S.T.M.-A653. Bolts to be zinc plated or subjected to other rust-retardant treatment.

Quiet-Plus Eliminating metal to metal contact, all Lyon locker doors are fitted with nylon lockbar guides to reduce clanging and provide smoother, quieter operation.

In addition to quieter lock bars, Lyon Quiet-Plus locker doors include a sound deadening door panel. The resulting combination minimizes noise levels caused by opening and closing locker doors.

CSI Formatted Specifications are available at www.lyonworkspace.com/architects

Note: There are certain sizes and/or types of lockers that are available in minimum quantity production runs only. Contact your Lyon factory representative for complete details.

ALL-WELDED LOCKERS



CONFIGURATIONS

Single Tier Quiet Lockers

W: 9, 12, 15, 18
 D: 12, 15, 18, 21, 24
 H: 60*, 72*
 H: 37*
 (actual 37-1/32)
 H: 48*
 (actual 48-5/8)



Double Tier Quiet Lockers

W: 9, 12, 15, 18
 D: 12, 15, 18, 21, 24
 H: 30*, 36*



Triple Tier Quiet Lockers

W: 9, 12, 15
 D: 12, 15, 18, 21
 H: 20*, 24*



Multiple Tier Lockers

Four Tier Lockers

W: 12, 15
 D: 12, 15, 18, 21
 H: 15*, 18*



Five and Six Tier Lockers

W: 12, 15
 D: 12, 15, 18, 21
 H: 12*

FEATURES

- Lockbars feature nano roller latching fingers that engage 12-gauge door jambs for maximum security
- High security single point latches are designed for built-in locks with wrap around technology. Includes padlock hasp
- The door frames are formed by overlapping and welding the junction between the horizontal and vertical members to form a rigid unitized structure that fully frames the door
- Standard hinges are full loop design and provide more strength than larger butt type hinges
- Full loop hinges are inserted through slots in the door and frame to maintain alignment and increase strength
- Door frames include integral full height 16-gauge door strikes to reinforce door edges
- One piece doors formed from 14-gauge prime, high grade class 1 steel
- Three latch points on single tier doors and two on double and triple tier doors
- One piece recessed handle pockets add strength to the handle area and eliminate the vulnerable seams of formed handles
- Soft rubber bumpers, at door jamb locations, cushion door slams

HANDLE OPTIONS



Stainless Steel Recessed Handles*
 with finger lift offers added safety and security with a clean flush mount appearance. Standard on single, double and triple-tier lockers. Option available for zinc alloy.



Single Point Recessed Handle Latching System
 operates with no additional moving parts. Available on single, double and triple-tier lockers. Not available on 9" wide lockers. Option available for zinc alloy. *Additional cost option.*



Pull Handles
 with built-in padlock loop are standard on multiple tier lockers. Optional roll point catch available.



Turn Handles
 have built-in padlock attachments, and heavy-duty, 3 point locking mechanisms that fully engage the frame. Available on single, double and triple-tier lockers.



Tamper Guard Handles*
 have built-in padlock loop and slim profile. Available on single, double and triple-tier lockers.

*Add 6" to overall height for legs when included.

*Lyon lockbar is standard.



Also see ADA lockers on page 19.

Body - 16-gauge steel, flanged to give double thickness of metal at back vertical corners. 18-gauge backs.

Door Frame - 16-gauge formed steel channels. Vertical members shall have an additional flange to form continuous door strike. Corners shall be lapped and welded into a rigid assembly. In addition, bottom cross members shall have tang at each end that fits through slot in rear flange of upright frame member to prevent twisting out of alignment. Top and bottom cross members shall provide support for front edge of locker top and locker bottom.

Door - One-piece, 14-gauge steel on single, double and triple tier with both vertical edges formed into channel-shaped formation; top and bottom shall be flanged at 90 degree angle. On multiple tier lockers, hinge side shall be formed into channel shaped formation with other three sides flanged at 90 degree angle.

Ventilation - Louvers shall be provided as follows:

Locker Styles

Single/Double tier lockers - 9"w
Single tier lockers - Over 9"w
Double tier lockers - Over 9"w
Triple tier lockers - 9"w
Triple tier lockers - Over 9"w
Multiple tier lockers

Louvers

Six 3-1/2" louvers top and bottom
Six 6" louvers top and bottom
Six 6" louvers top and bottom
Two 3-1/2" louvers top and bottom
Two 6" louvers top and bottom
Three 3-1/2" louvers per door for 12" and 15" wide lockers
Four 6" louvers per door for lockers 18" wide and over

Door Jambs - 48" and higher single tier lockers shall have three door jambs; double tier and triple tier lockers shall have two jambs welded to side of door frames to engage locking device. Design and gauge of jamb shall prevent freeing of locking device by prying. Each jamb shall have easily replaceable soft rubber bumper.

Hinges - Shall be not less than 2" high, .050" steel, 5 knuckle, full loop design forming double thickness on each leaf. Hinges to be set in slot in door and frame and projection welded to frame and securely attached to door. Hinge pin to be spun over at ends to resist removal. Single-tier lockers 48", 60" and 72" high to have three hinges. All other tiers to have two hinges - all on right hand side of door. Optional continuous hinge available.

Quiet Locking Device - Single tier locking device shall engage frame at three points; double tier and triple tier at two points. Channel shaped locking device with full length reinforcing ribs shall be a quiet design utilizing nylon guide inserts to reduce metal to metal contact. The locking device shall include a latch finger that engages the 12-gauge door jamb. Lock bar shall be enclosed on three sides and operate within the channel formation of the door. Locking device shall be prelocking so mechanism can be locked in open position - door locking automatically when closed. An optional single point latch shall be available except on 9" wide lockers. Box locker shall have one-point locking device with a 14-gauge lock clip for attaching padlock. Doors also to be provided with lock hole filler to permit use of built in lock.

Handles - On single, double and triple tier lockers, handles shall be stainless steel recessed. No moving parts are to operate against outside surface of locker. Padlock attachment to be integral part of lift which shall be attached directly to locking bar and protected by fixed handle housing. Handle to provide built in padlock strike. The recessed handle shall be 4-1/8"w x 6-1/16"h x 1-1/4"d. Multiple tier lockers shall be equipped with a 16-gauge door pull with padlock attachment when not used with built in locks.

Shelves - Single tier lockers shall have one 16-gauge shelf approximately 9" below top. Flanged on all four sides for strength with the front flange turned 45 degrees for safety and attached at no less than two points through each side flange. Only single tier lockers 48" and taller have shelves.

Coat Hooks - Single tier, double tier and triple tier lockers shall have one double prong hook and three single prong wall hooks. All hooks to be zinc-plated or subjected to a comparable rust retardant treatment and attached with two nuts and bolts.

Number Plates - Optional aluminum number plates with etched figures at least 3/8" high. All lockers shall have the number plate punching located at the near top of the doors.

Standard Finish - Exposed steel parts shall be thoroughly cleaned, given a bonding and rust inhibitive phosphate treatment and then electrostatically sprayed with powder coat.

NOTE: Contact Lyon for finish compatibility with any chemicals.

Anchoring - To prevent tipping or injury, Lyon strongly recommends that lockers be floor and/or wall anchored. "Z" Type Bases are available for lockers without legs.

Recess Trim - End and top recess trim for lockers to be placed in wall recesses shall be 18-gauge formed steel with a 2-3/4" wide face and shall be bolted to locker frames.

Top recess trim to be in approximately 5'0" lengths with a formed splice cap to cover joints and to hold top recess trim in alignment. End recess trim to be 2-3/4" higher than lockers and will lap over ends of top recess trim for a hairline joint at top of corners.



ALL-WELDED LOCKERS

SPECIFICATION SUMMARY

- 14-gauge door with 16-gauge frame
- 16-gauge body parts with 18-gauge backs
- All seams and joints welded
- Full loop type hinges
- One piece 14-gauge door
- Secure multi-point locking system
- Stainless steel recessed handles
- Powder coat finish
- Built in padlock loop
- Built in locks are also available (see page 25)

MATERIAL

Prime, high grade Class 1 mild annealed, cold-rolled steel free from surface imperfections. A.S.T.M.-A1008. Galvannealed steel available for high humidity atmospheres. A.S.T.M.-A653. Bolts to be zinc plated or subjected to other rust-retardant treatment.

General Construction - All lockers shall be pre-assembled, with all seams and joints welded for rigidity and durability.

Quiet-Plus Eliminating metal to metal contact, all Lyon locker doors are fitted with nylon lockbar guides to reduce clanging and provide smoother, quieter operation.

In addition to quieter lock bars, Lyon Quiet-Plus locker doors include a sound deadening door panel. The resulting combination minimizes noise levels caused by opening and closing locker doors.

CSI Formatted Specifications are available at www.lyonworkspace.com/architects

Note: There are certain sizes and/or types of lockers that are available in minimum quantity production runs only. Contact your Lyon factory representative for complete details.

LYON®

ALL-WELDED EXTREME LOCKERS



CONFIGURATIONS

Single Tier Quiet Lockers

W: 9, 12, 15, 18
D: 12, 15, 18, 21, 24
H: 60*, 72*

W: 12, 15
D: 12, 15, 18
H: 37*
(actual 37-1/32)

W: 12, 15
D: 15, 18
H: 48*
(actual 48-5/8)



Double Tier Quiet Lockers

W: 9, 12, 15, 18
D: 12, 15, 18, 21, 24
H: 30*, 36*



Triple Tier Quiet Lockers

W: 9, 12, 15
D: 12, 15, 18, 21
H: 20*, 24*



Multiple Tier Lockers

Four Tier Lockers

W: 12, 15
D: 12, 15, 18, 21
H: 15*, 18*

Five and Six Tier Lockers

W: 12, 15
D: 12, 15, 18, 21
H: 12*



FEATURES

- Lockbars feature nano roller latching fingers that engage 12-gauge door jambs for maximum security
- High security single point latches are designed for built-in locks with wrap around technology. Includes padlock hasp
- The door frames are formed by overlapping and welding the junction between the horizontal and vertical members to form a rigid unitized structure that fully frames the door
- Full height continuous hinges
- Door frames include integral full height 16-gauge door strikes to reinforce door edges
- One piece doors formed from 14-gauge prime, high grade class 1 steel
- Three latch points on single tier doors and two on double and triple tier doors
- One piece recessed handle pockets add strength to the handle area and eliminate the vulnerable seams of formed handles. Stainless steel or die cast recessed or cremone turn handle
- Soft rubber bumpers, at door jamb locations, cushion door slams
- 16-gauge bottom channel reinforcement
- 18-gauge pan reinforcement on door

HANDLE OPTIONS



Stainless Steel Recessed Handles*

with finger lift offers added safety and security with a clean flush mount appearance. Standard on single, double and triple-tier lockers. Option available for zinc alloy.



Single Point Recessed Handle Latching System

operates with no additional moving parts. Available on single, double and triple-tier lockers. Not available on 9" wide lockers. Option available for zinc alloy. *Additional cost option.*



Pull Handles

with built-in padlock loop are standard on multiple tier lockers. Optional roll point catch available.



**AVAILABLE
OPTION**

Cremone Turn Handles

with built-in padlock loop, are not available on doors larger than 20" high



Tamper Guard Handles*

have built-in padlock loop and slim profile. Available on single, double and triple-tier lockers.

*Add 6" to overall height for legs when included.

*Lyon lockbar is standard.

 **Material Handling USA**
800-326-4403

Body - 16-gauge steel, flanged to give double thickness of metal at back vertical corners. 18-gauge backs. Bottoms shall have a 16-gauge channel reinforcement from front to back.

Door Frame - 16-gauge formed steel channels. Vertical members shall have an additional flange to form continuous door strike. Corners shall be lapped and welded into a rigid assembly. In addition, bottom cross members shall have tang at each end that fits through slot in rear flange of upright frame member to prevent twisting out of alignment. Top and bottom cross members shall provide support for front edge of locker top and locker bottom.

Door - One-piece, 14-gauge steel on single, double and triple tier with both vertical edges formed into channel-shaped formation; top and bottom shall be flanged at 90 degree angle. On multiple tier lockers, hinge side shall be formed into channel shaped formation with other three sides flanged at 90 degree angle. An 18-gauge pan stiffener will be welded inside the channel - shaped formation of the hinge side of the door. Stiffeners shall be 1" wide on 12" wide doors, 3-1/2" wide on 15" and 18" wide doors, and 7-1/2" wide on 24" wide doors.

Ventilation - Louvers shall be provided as follows:

Locker Styles	Louvers
Single/Double tier lockers - 9"w	Six 3-1/2" louvers top and bottom
Single tier lockers - Over 9"w	Six 6" louvers top and bottom
Double tier lockers - Over 9"w	Six 6" louvers top and bottom
Triple tier lockers - 9"w	Two 3-1/2" louvers top and bottom
Triple tier lockers - Over 9"w	Two 6" louvers top and bottom
Multiple tier lockers	Three 3-1/2" louvers per door for 12" and 15" wide lockers Four 6" louvers per door for lockers 18" wide and over

Door Jambs - 48" and higher single tier lockers shall have three door jambs; double tier and triple tier lockers shall have two jambs welded to side of door frames to engage locking device. Design and gauge of jamb shall prevent freeing of locking device by prying. Each jamb shall have easily replaceable soft rubber bumper.

Hinges - Shall be full height continuous.

Quiet Locking Device - Single tier locking device shall engage frame at three points; double tier and triple tier at two points. Channel shaped locking device with full length reinforcing ribs shall be a quiet design utilizing nylon guide inserts to reduce metal to metal contact. The locking device shall include a latch finger that engages the 12-gauge door jamb. Lock bar shall be enclosed on three sides and operate within the channel formation of the door. Locking device shall be prelocking so mechanism can be locked in open position - door locking automatically when closed. An optional single point latch shall be available except on 9" wide lockers. Box locker shall have one-point locking device with a 14-gauge lock clip for attaching padlock. Doors also to be provided with lock hole filler to permit use of built in lock.

Handles - On single, double and triple tier lockers, handles shall be stainless steel recessed. No moving parts are to operate against outside surface of locker. Padlock attachment to be integral part of lift which shall be attached directly to locking bar and protected by fixed handle housing. Handle to provide built in padlock strike. The recessed handle shall be 4-1/8"w x 6-1/16"h x 1-1/4"d. Multiple tier lockers shall be equipped with a 16-gauge door pull with padlock attachment when not used with built in locks. Die Cast Recessed and cremone turn handle options available.

Shelves - Single tier lockers shall have one 16-gauge shelf approximately 9" below top. Flanged on all four sides for strength with the front flange turned 45 degrees for safety and attached at no less than two points through each side flange. Only single tier lockers 48" and taller have shelves.

Coat Hooks - Single tier, double tier and triple tier lockers shall have one double prong hook and three single prong wall hooks. All hooks to be zinc-plated or subjected to a comparable rust retardant treatment and attached with two nuts and bolts.

Number Plates - Optional aluminum number plates with etched figures at least 3/8" high. All lockers shall have number plates attached near top of door.

Standard Finish - Exposed steel parts shall be thoroughly cleaned, given a bonding and rust inhibitive phosphate treatment and then electrostatically sprayed with powder coat.

NOTE: Contact Lyon for finish compatibility with any chemicals.

Anchoring - To prevent tipping or injury, Lyon strongly recommends that lockers be floor and/or wall anchored. "Z" Type Bases are available for lockers without legs.

Recess Trim - End and top recess trim for lockers to be placed in wall recesses shall be 18-gauge formed steel with a 2-3/4" wide face and shall be bolted to locker frames.

Top recess trim to be in approximately 5'0" lengths with a formed splice cap to cover joints and to hold top recess trim in alignment. End recess trim to be 2-3/4" higher than lockers and will lap over ends of top recess trim for a hairline joint at top of corners.

LYON[®]

ALL-WELDED EXTREME LOCKERS

SPECIFICATION SUMMARY

- 14-gauge door with 16-gauge frame
- 16-gauge body parts with 18-gauge backs
- All seams and joints welded
- Continuous type hinges
- One piece 14-gauge door
- Secure multi-point locking system
- Stainless steel recessed handles
- Powder coat finish
- Built in padlock loop
- Built in locks are also available (see page 25)
- 16-gauge reinforced bottom channels
- 18-gauge pan reinforcement on door

MATERIAL

Prime, high grade Class 1 mild annealed, cold-rolled steel free from surface imperfections. A.S.T.M.-A1008. Galvannealed steel available for high humidity atmospheres. A.S.T.M.-A653. Bolts to be zinc plated or subjected to other rust-retardant treatment.

General Construction - All lockers shall be pre-assembled, with all seams and joints welded for rigidity and durability.

Quiet-Plus Eliminating metal to metal contact, all Lyon locker doors are fitted with nylon lockbar guides to reduce clanging and provide smoother, quieter operation.

In addition to quieter lock bars, Lyon Quiet-Plus locker doors include a sound deadening door panel. The resulting combination minimizes noise levels caused by opening and closing locker doors.

CSI Formatted Specifications are available at www.lyonworkspace.com/architects

Note: There are certain sizes and/or types of lockers that are available in minimum quantity production runs only. Contact your Lyon factory representative for complete details.

LYON[®]

DELUXE COLLEGIATE & COLLEGIATE LOCKERS

CONFIGURATIONS

Deluxe Collegiate Lockers

W: 24, 33, 36
D: 18, 21, 24
H: 72, 84



A

Deluxe Collegiate Lockers with Doors

W: 24, 33, 36
D: 18, 21, 24
H: 72, 84



B

Collegiate Lockers

W: 24, 33, 36
D: 18, 21, 24
H: 72, 84



C

Collegiate Lockers with Doors

W: 24, 33, 36
D: 18, 21, 24
H: 72, 84



D



FEATURES

- A- Deluxe Collegiate Lockers** offer additional security for special equipment or assigned gear. 18" high interior compartment bench with padlock hasp. Upper compartment door may also be equipped with built-in key or combination lock.
- B- Deluxe Collegiate Lockers with Doors** offer the same design and construction features as above, plus the added security of a reinforced door.
- C- Collegiate Lockers** are designed to provide easy access to equipment and uniforms in team locker rooms. Shelf included.
- D- Collegiate Lockers with Doors** are recommended for storing bulky uniforms of hockey and football teams, offering up to 36" wide compartments.

Includes solid back and diamond perf sides. Optional diamond perforated door. Is also available as solid or louvered door.

HANDLES



All doors feature Stainless Steel Recessed Handles with built-in padlock attachment. Zinc alloy recessed handle or turn handles are also available as an option. Recessed handles are designed to also accommodate built-in combination and digital locks. Not provided on bulk or security boxes with lockbar.

Body - 16-gauge steel, flanged to give double thickness of metal at back vertical corners. 18-gauge backs.

NOTE: Lyon strongly recommends that exposed side end sheets be of solid material.

Door Frame - Shall be 16-gauge formed steel channels. Vertical members shall have an additional flange to form continuous door strike. Corners shall be lapped and welded into a rigid assembly. Bottom cross members shall have tang at each end that fits through slot in rear flange of upright frame member to prevent twisting out of alignment. Top and bottom cross members shall provide support for front edge of locker top and locker bottom.

Optional Door - Optional door is supplied only upon request. One-piece, 14-gauge steel with double both vertical edges formed into channel-shaped formation; top and bottom shall be flanged at 90 degree angle.

Quiet Locking Device - Locking device shall engage frame at three points. Channel shaped locking device with full length reinforcing ribs shall be a quiet design utilizing nylon guide inserts to reduce metal to metal contact. The locking device shall include a latch finger that engages the 12-gauge door jamb. Lock bar shall be enclosed on three sides and operate within the channel formation of the door. Locking device shall be prelocking so mechanism can be locked in open position - door locking automatically when closed. An optional single point latch shall be available security. Doors also to be provided with lock hole filler to permit use of built in lock.

Hinges - Shall be not less than 2" high, .050" steel, 5 knuckle, full-loop forming double thickness on each leaf. Hinges to be set in slots in frame and projection-welded to frame - securely attached to door. Hinge pin to be spun over at ends. Single tier lockers 72" and 60" high to have three hinges, 48" high to have two hinges, and multiple-tier to have two hinges - all on right-hand side of door.

Hat Shelves - Lockers shall have one 16-gauge hat shelf approximately 12" below top. Flanged on sides and back-channel formation on front flange - attached at no less than two points through each side flange.

Coat Hooks - Lockers shall have one 5/8" diameter coat rod and four single prong wall hooks. All hooks to be zinc-plated or subjected to a comparable rust-retardant treatment and attached with two nuts and bolts or rivets.

Number Plates - Optional aluminum number plates with etched figures at least 3/8" high. Can be attached to door or security box

Finish - Steel parts shall be thoroughly cleaned, given a bonding and rust inhibitive phosphate treatment, and a powder coat finish. Complete locker must be finished in same color.

NOTE: Contact Lyon for finish compatibility with any chemicals.

Anchoring - To prevent tipping or injury, Lyon strongly recommends that lockers be floor and/or wall anchored.

Optional Bulk Lock-Up - Optional bulk lock-up is designed to allow for bulk storage and lockup capability. Bulk compartment lid acts as a seating area as well. Bulk lock-up is 18" in height, full depth of locker, and consists of the following components:

- Bin front assembly made of 14-gauge steel.
- Lid assembly made of 12-gauge steel and connected to 14-gauge continuous hinge with 0.410" knuckle diameter. Attachment angle is 12-gauge. Hasp located on front of lid is 14-gauge. Hasp allows for locking capability with use of padlocks.
- Lid support angles made of 12-gauge steel and support the lid in the closed position.

Optional Security Box - Designed to allow for small compartmental storage with lockup capabilities.

Security box ships knock down, is 12" in height, 12" in width, and spans the depth of the locker opening. The security box consists of the following components:

- Right hand side and hinge member-made of 16-gauge steel with formations that make up the right side of the box and is punched for the weldment of continuous hinge.
- Left hand side and lock member-made of 16-gauge steel with formations that make up the left side of the box and is punched for the weldment of single locking padlock hasp.
- 16-gauge right hand hinged door formed with flanges on all four sides. Door is equipped with punching to allow for built-in locks.
- Top frame member made of 16-gauge steel. Top frame member acts as a frame closure for upper portion of box between the door and the exterior locker top.
- Security box sits on the standard Collegiate locker shelf. Shelf is punched with holes to attach the security box through the two side members. Collegiate shelf acts as a bottom for the security box. Box is located on the right side of the locker unit.

LYON®

DELUXE COLLEGIATE & COLLEGIATE LOCKERS

SPECIFICATION SUMMARY

All-Welded

- All seams and Joints welded for rigidity
- Optional compartments shipped knocked down
- 16-gauge body parts with 18-gauge backs
- Full loop type hinges
- Powder coat finish
- 14-gauge sheet metal or no door compartments
- 16-gauge frame
- 16-gauge sheet metal
- All metal locking systems
- Optional installation of compartments at factory
- Stainless steel recessed handle

Knocked Down

- 14-gauge sheet metal or 16-gauge sheet metal or no door
 - 16-gauge frame
 - 16-gauge sheet metal sides
 - All metal locking systems
 - Stainless steel recessed handle
 - Powder coat finish
- *Specify All-Welded or Knock Down at time of order

MATERIAL

Prime, high grade Class 1 mild annealed, cold-rolled steel free from surface imperfections. A.S.T.M.-A1008. Galvannealed steel available for high humidity atmospheres. A.S.T.M.-A653. Bolts to be zinc plated or subjected to other rust-retardant treatment.

CSI Formatted Specifications are available at www.lyonworkspace.com/architects

Note: There are certain sizes and/or types of lockers that are available in minimum quantity production runs only. Contact your Lyon factory representative for complete details.

LYON[®]

SPECIALTY LOCKERS & LOCKER BENCHES



Valor™ Law Enforcement Lockers

Provides secure and generous storage for police/government issued items; Kevlar[®] vests, hats, uniforms, pistols, boots, shoes, laptop and personal belongings; duffle bags, wallets, jewelry and civilian clothes. Maximum ventilation throughout locker to keep garments, vests and boots cool and dry. Electrical cutout in the rear top corner for electrical feed for laptops, cell phones or other electronics.

Prime, high-grade Class 1 steel. 14-gauge door, 16-gauge sides, top & bottom, and 18-gauge back. Continuous hinged door with secure latching system.

**Some Assembly Required*



TA-50 Gear Lockers

This heavy-duty, fully-ventilated and all-welded locker is built to withstand harsh usage.

Heavy-gauge "unibody" construction. 16-gauge steel top with 14-gauge reinforced bottom, back, doors and sides. Chrome-plated, pad-lockable handle with a high security three-point latching system. 16-gauge steel shelf with center reinforcing channel for a 200 lb. capacity. Pre-punched holes in back, sides, and bottom for attaching lockers to each other and/or to the wall or floor. 1" coat rod and 4 coat hooks to hang coats, uniforms and heavy field dress.

**Some Assembly Required*



Command Gear Lockers

A heavy-duty, all-welded locker. Original design was inspired by military pilot's flight-related equipment storage needs.

Lockable upper storage compartment. Aluminum 3-1/2" x 2-1/4" label holder. Heavy duty, 18-gauge, 5/8" diameter hanging rods plus two side hooks for lighter gear. Ventilated sides. Large compartment to house the torso harness, G-suit/G-vest, survival vest and related flying equipment jacket and helmet bags. Lockable lower storage compartment for additional equipment.

Shipped set up.

Overall locker: 24"w x 24"d x 72"h

**Some Assembly Required*



Two Person Lockers

are only 15" wide, with two full length coat compartments and two separate compartments at top. Doors are hinged in the center allowing simultaneous access for both users.

W: 15
D: 12, 15, 18, 21
H: 60, 72



16" Leg Lockers

16" high legs make mopping or hosing floors easier when required. Legs also provide support for benches.



Cubbie Lockers for Kids

Meet the storage needs for day-care centers, pre-schools and elementary schools.

Feature antimicrobial powder paint finish that fights bacterial growth and corrosion on locker surfaces in the classroom.



ADA Lockers

provide compliant access. Contact Lyon for availability of ADA compliant features on other locker types and sizes.

ADA Benches - Laminated Hardwood Seat and Backrest

ADA Compliant hardwood benches with or without backrest. Available with painted steel or heavy-duty cast iron pedestals.



LAMINATED HARDWOOD AND PLASTIC LAMINATE TOP BENCHES

Laminated Hardwood Top - shall have clear hardwood tops 9-1/2" wide by 1-1/4" thick finished with two coats of acrylic finish and available in lengths from 3' to 12'.

Plastic Laminate Top - shall be color matched plastic laminate, or wood-grain plastic laminate, over laminated hardwood core. Long sides shall have full 180° soft edge. Tops shall be 12" w x 1-3/4" h and available in lengths from 3' to 12'.

Steel Pedestals - Spaced on not more than 6' centers. Overall height shall be 17-3/4". Finish of pedestals shall be same color as lockers. Steel pedestal base shall be 14-gauge steel with 1-5/8" tubing uprights.

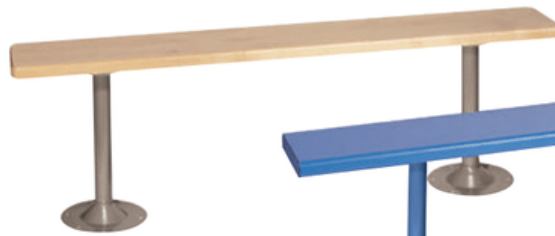
Heavy-Duty Pedestals - Single piece cast iron construction. Spaced on maximum 6' centers. 2-1/4" diameter post with 6" diameter top and bottom. 3/16" material thickness.

Aluminum Bench Top - 1-1/4" x 9.5" wide aluminum alloy with a clear anodic coating.

Aluminum Bench Pedestals - Pedestals shall be two pieces of anodized aluminum extrusion (6105-T5) 2-1/4" x 3/4" formed and unit-welded. Base measures 12-5/8" w x 14-5/8" h. Optional rubber feet.

Trapezoid Pedestal - Made from 1/4" x 3" aluminum bar stock and features black anodized finish. Maximum bench overhang from middle of pedestal must not exceed 6".

Note: Each pedestal shall be attached to top by screws and shall be anchored to floor by suitable anchors.



Laminated Hardwood Top
9-1/2" deep x 18" high, from 3 to 12 feet in length in 1 foot increments, deliver all the versatility and performance required for varying floor plans and locker arrangements.



Plastic Laminate Top
Plastic laminate over hardwood core. 12" wide x 18" high, and 3' to 12' long in 1 ft. increments.

AVAILABLE PEDESTALS



Steel Pedestals



Heavy-Duty Pedestals



Aluminum Pedestals



Aluminum Moveable Pedestals Trapezoid Shape

ALUMINUM BENCHES

Anodized Aluminum Design

Rustproof, anodized aluminum is light, yet incredibly strong and easy to maintain in almost any environment. One piece bench stands are secured to pedestal base with adjustable clamps. Rounded edges and center traces provide comfortable, skid resistant seating. Use as portable bench or install as a fixed position unit.

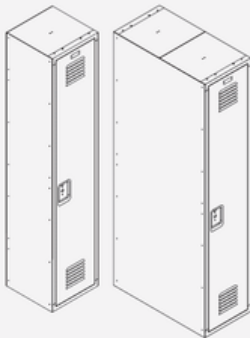


Aluminum Pedestals

LOCKER ACCESSORIES

Tops/Closures/End Panels
And Installation Details

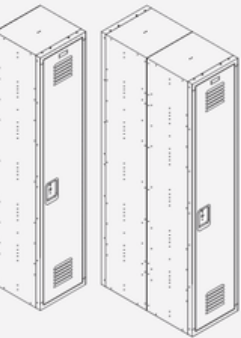
End Cover Panel



End Panels

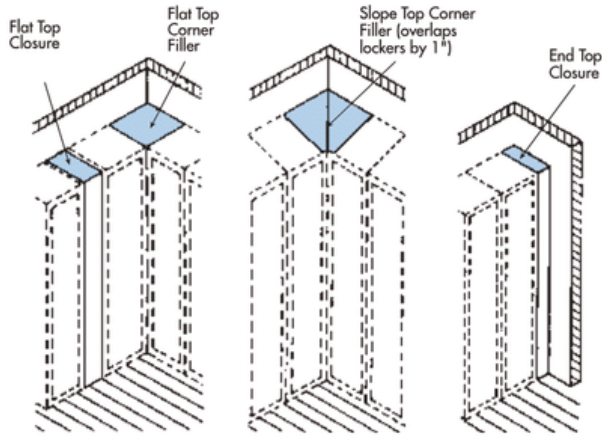
are easily installed on exposed ends of lockers for increased durability and an enhanced appearance. Lyon offers optional heavy duty end panels (punched only as required) with all bolt heads exposed; end cover panels show only vertical frame bolt heads. No bolt heads are exposed on end finishing panels.

Standard Sidesheet



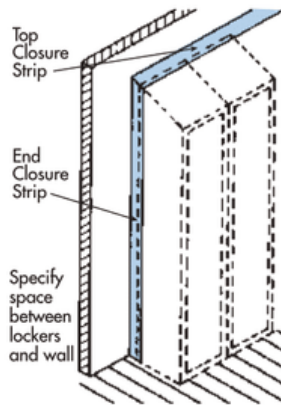
Top Closures

are used to close space between two tops when obstruction prevents installation of a locker. Can be furnished on flat or sloping tops.



Closure Strips

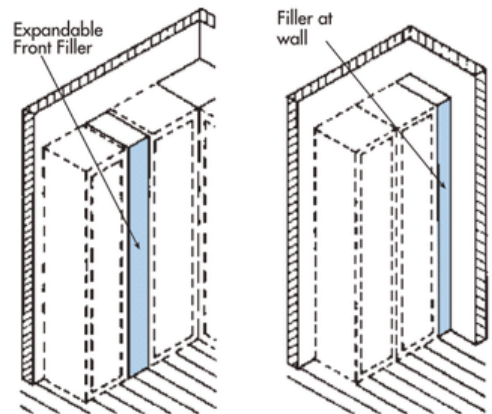
are used to fill space at ends and tops of installation between lockers and wall or between two rows of lockers. Available for flat or slope top lockers. It is important to specify space to be closed for proper fit.



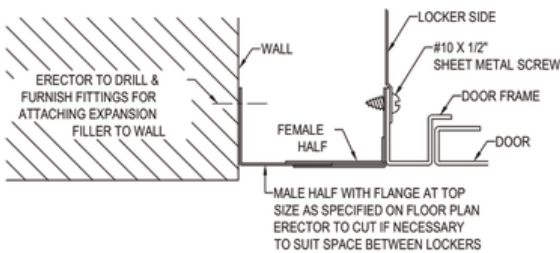
Front Expansion Fillers

are used to fill space between two locker fronts. Two piece construction permits adjustment to fit space.

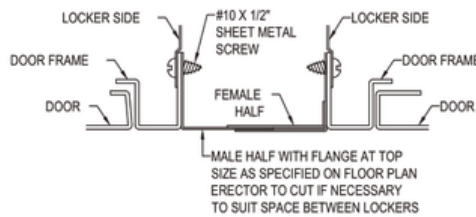
Fillers are also used to fill space between locker and a wall. Flanged edge bolts to locker. See Installation details on page 21.



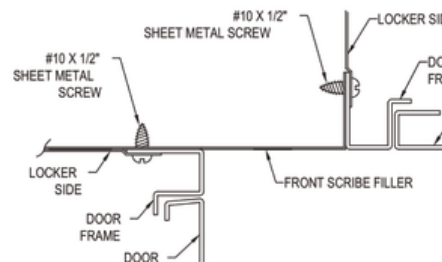
Front Expansion Fillers



PLAN SECTION OF FRONT EXPANSION FILLER AT WALL



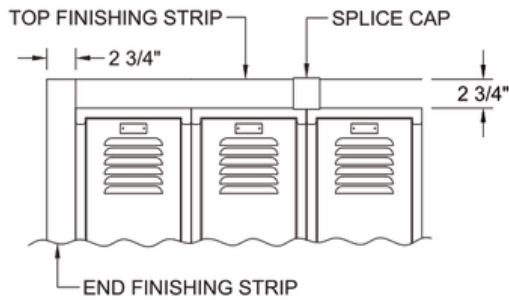
TYPICAL DETAIL OF FRONT EXPANSION FILLER



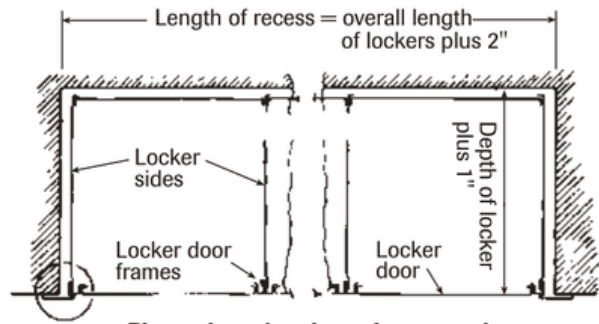
PLAN SECTION OF FRONT SCRIBE FILLER

Recess Trim

Elevation showing joint between end and top recess trim and splice cap covering joint between two pieces of top finishing trim.



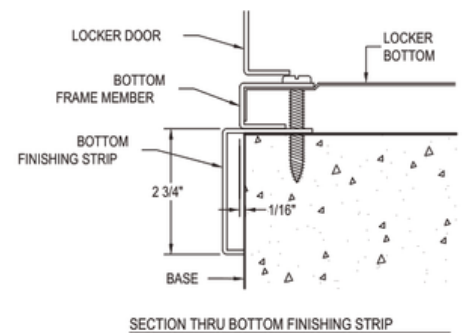
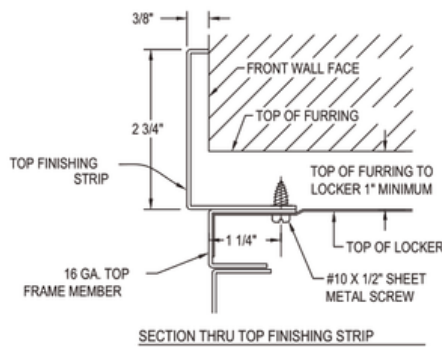
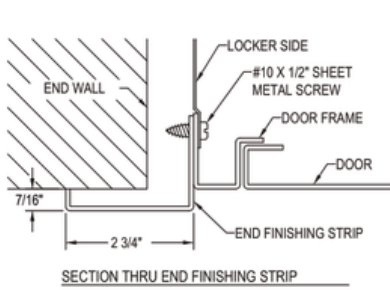
Recess Dimensions



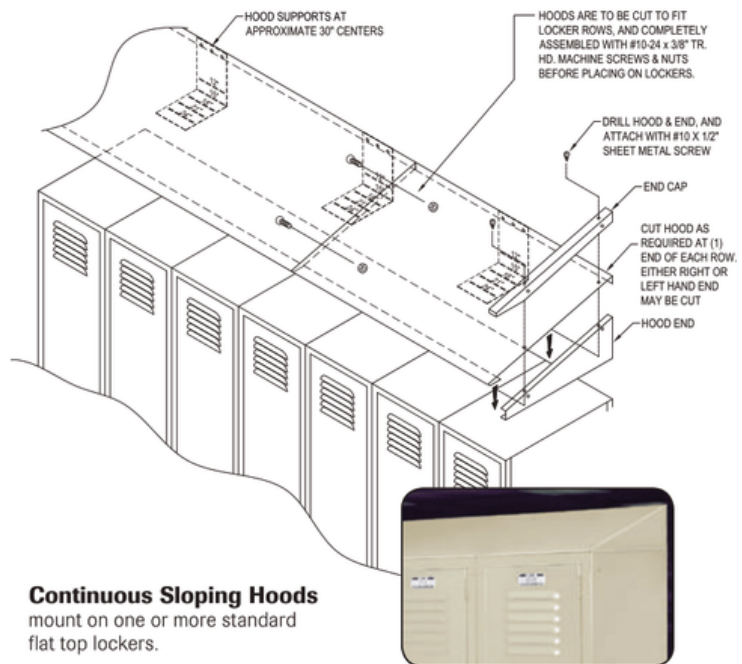
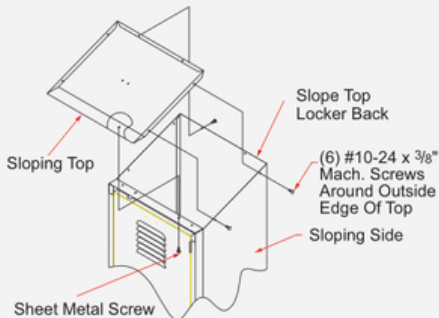
Planned section through recessed lockers showing right and left-hand end finishing strips.

Recessing Details

Vertical section through locker in recess showing recommended method of recessing. See erection instructions or shop drawings for specific locker anchoring details.



Individual Sloping Tops are furnished on lockers with full height side panels and backs.

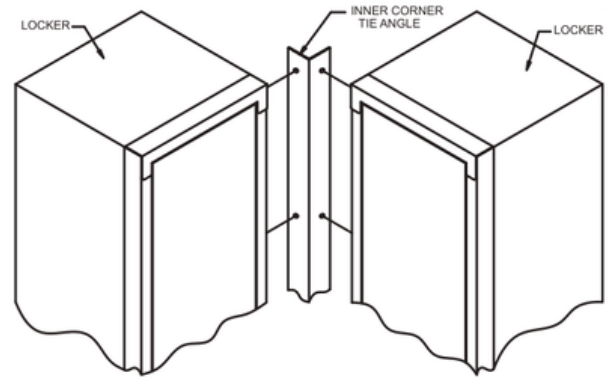
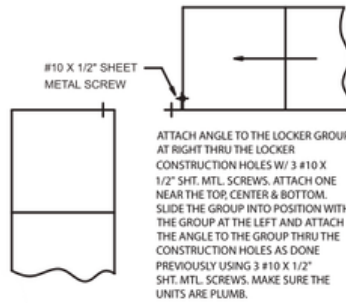


Continuous Sloping Hoods mount on one or more standard flat top lockers.

LOCKER ACCESSORIES

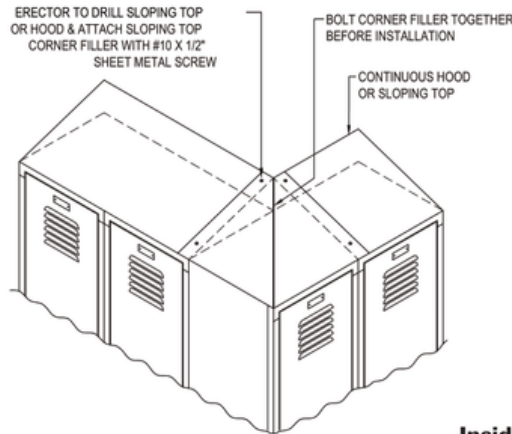
Inner Corner Tie Ends, Closure Layout and installation details

Inner Corner Tie Angles
Inner Corner Tie Angles provide a finished look and tie banks together for long-term stability.



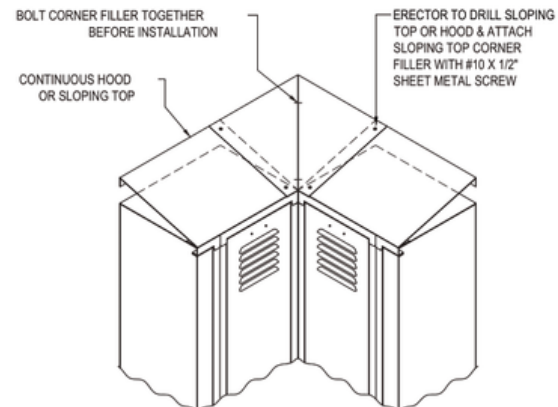
INSTALLATION OF INNER CORNER TIE ANGLE

Outside Slope for Top and Corner
Outside Slope Top Corners provide a finished look and merge two sections of sloped hood at the end.



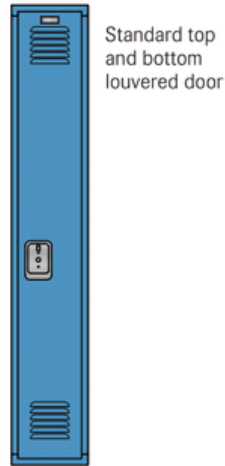
INSTALLATION OF OUTSIDE CORNER FILLER

Inside Slope for Top and Corner
Inside Slope Top Corners provide a finished look and close corner gaps where two lockers meet.

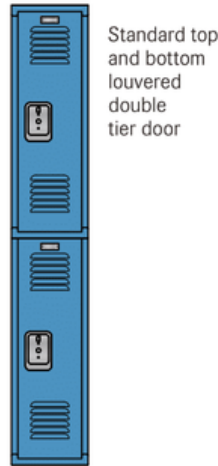


INSTALLATION OF SLOPING TOP CORNER FILLER

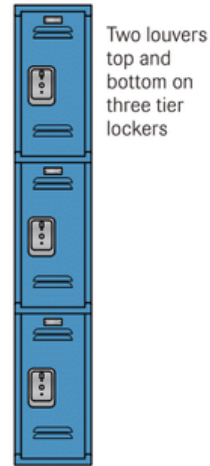
Standard Louver Arrangements
See Specifications on page 5 for louver sizes.
Unless you specify an optional louver/perforation arrangement, you will automatically receive the standard louver arrangement pictured below for the appropriate locker style ordered.



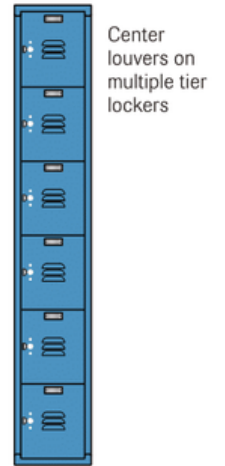
Standard top and bottom louvered door



Standard top and bottom louvered double tier door



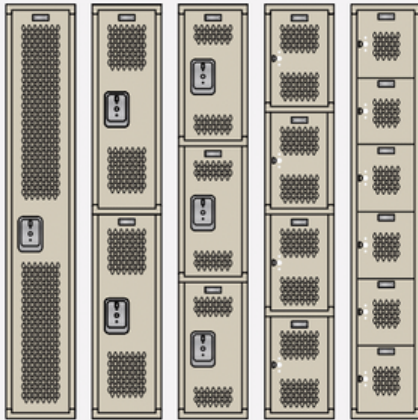
Two louvers top and bottom on three tier lockers



Center louvers on multiple tier lockers

Optional Diamond Perforations

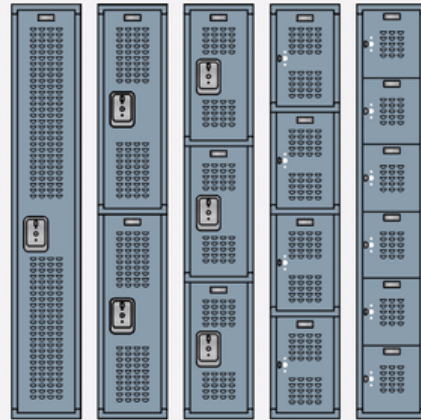
Diamond shaped perforations provide thorough ventilation, and allow quick inspection of locker contents without opening doors.



DP-1 DP-2 DP-3 DP-4 DP-5 DP-6

Optional Mini Louver Arrangements

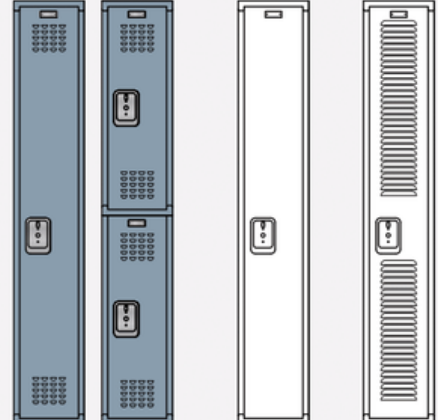
Mini-louvers provide a clean, contemporary look, and provide ventilation with increased security by eliminating visibility of locker contents.



MF-1 MF-2 MF-3 MF-4 MF-5

Optional Louver Arrangements

NOTE: Perforated sides, backs, tops, bottoms and intermediate bottoms are also available.



MS-1 MS-2 No louvers Fully louvered Single tier door



Bottom Options are reinforced galvanized, stainless (not painted) and HDPE.



Locker Legs add 6" to overall locker height. Must be specified on initial order.



Galvanized Lockers are for installations in high corrosive atmospheres. Lockers are fabricated from galvanized steel and have standard powder coat finish.



Coat Hooks are zinc plated steel rod stock with ball points for snag free use.



Galvanized Coat Rods are made of 5/8" diameter galvanized steel. Use in place of double-prong ceiling hooks.



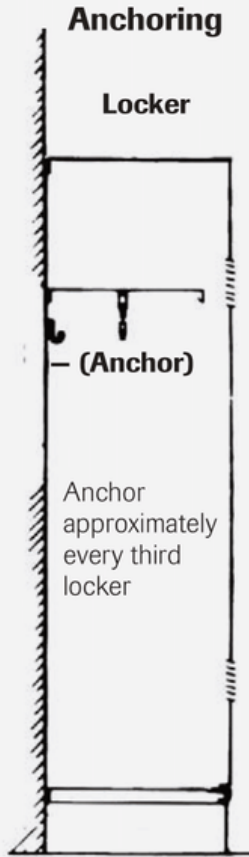
Aluminum Number Plates with clearly etched numbers are 2-3/4" w x 1" h, fit pre-punched holes in locker doors.



Lock Options can be used with all handles, and retrofitted to existing installations.

LOCKER ANCHORING

Floor Anchoring/Bases



Anchoring Angle For Lockers without legs

use a locker anchoring angle (running from front to rear on the inside bottom of the locker) providing a bearing surface for the fasteners which are connected to the floor or locker base. For the typical continuous row locker installation, order one locker anchoring angle for each end of a row, plus sufficient quantity to provide angles on 36" centers. On single row installations where backs are against a wall, lockers should be suitably wall anchored as detailed in assembly instructions packed with lockers and below installation drawings.

No. 5872 - For 12"d lockers

No. 5873 - For 15"d lockers

No. 5874 - For 18"d lockers

No. 5875 - For 21"d lockers

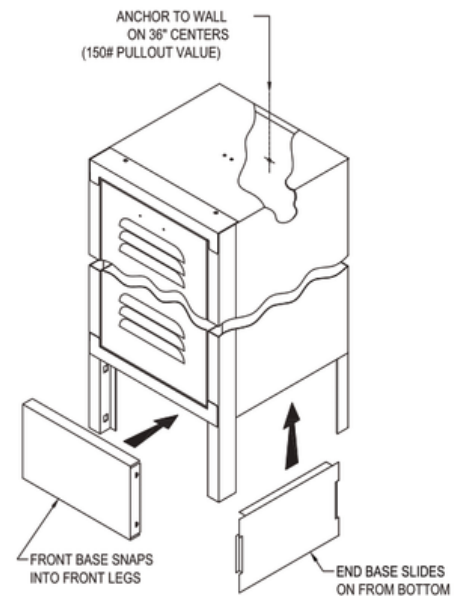


Locker Foot For Lockers with legs

When backs are exposed (free standing) a locker foot is recommended for all locker legs. When backs are against a wall and suitably wall anchored, locker feet are recommended on front legs only. For more details, see assembly instructions packed with lockers.

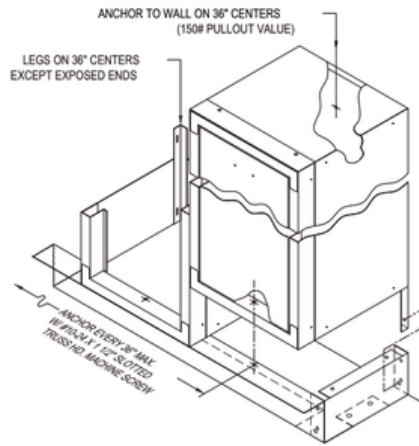
No. 5870

Closed Style Bases fit in the 6" high spaces between legs when furnished. They provide finished appearance and facilitate cleaning.

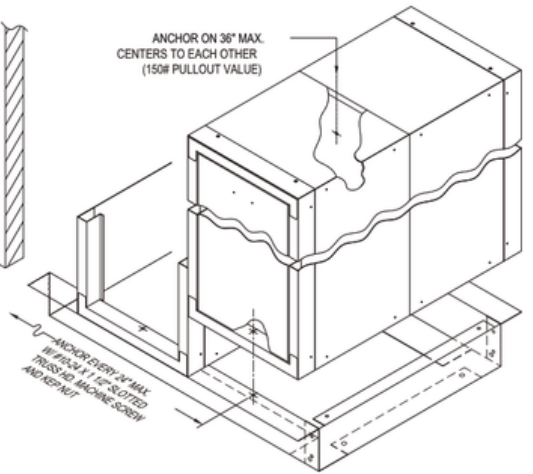


CLOSED BASES FOR SINGLE ROW LOCKERS WITH LEGS

"Z" Type Bases offer added toe space and effective support using rugged 14-gauge steel. Adds 4" to overall locker height.

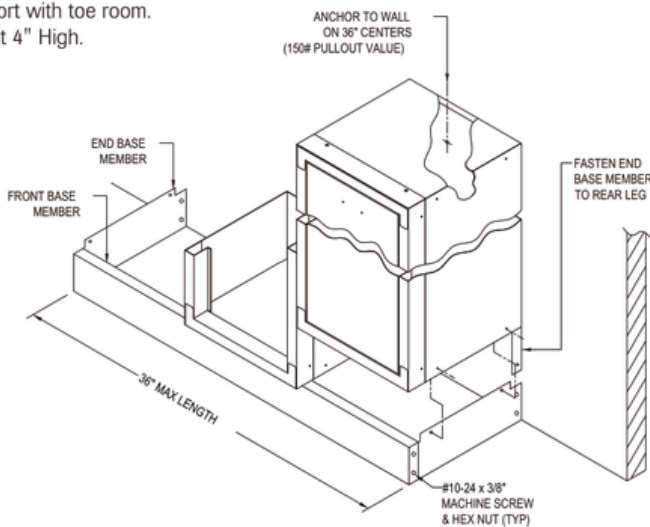


"Z" BASE W/ CLOSED ENDS ASSEMBLY FOR SINGLE ROW LOCKERS



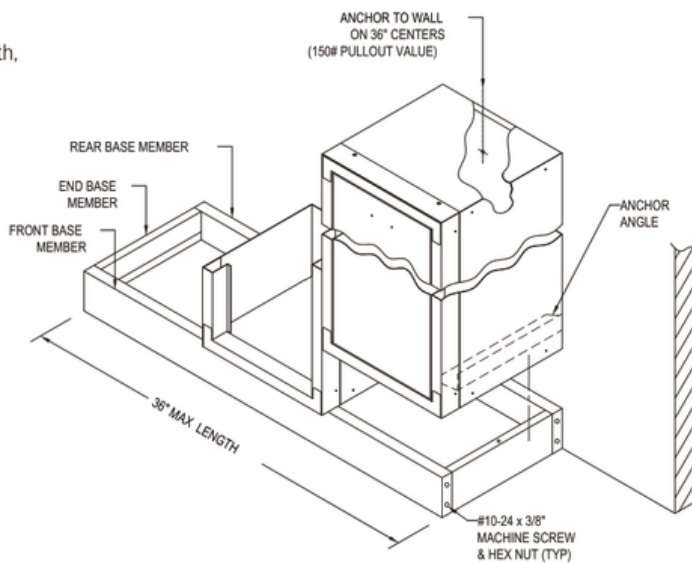
"Z" BASE W/ CLOSED ENDS ASSEMBLY FOR DOUBLE ROW LOCKERS

E-Z Bases Continuous added base support with toe room. Standard at 4" High.



E-Z BASE ASSEMBLY FOR SINGLE ROW LOCKERS

"Kitchen Cabinet Style" Bases are 4" high, and give a smooth, unbroken appearance to lockers without legs.



"KITCHEN CABINET STYLE" BASE FOR SINGLE ROW LOCKERS

PREMIER POWDER COAT COLORS

Lyon's Premier color selections and/or a computerized match to your custom color offer a virtually endless combination of choices including two tone effects. Our preparation and finishing procedures deliver a superior surface, highly resistant to deterioration and corrosion, to create a lasting impression for your locker installation.

Note:

All color chips approximate the actual color as closely as possible. For a more precise color match, request a free 601C color chart showing Lyon's 34 premier colors.



Premier Colors by Lyon®

Our preparation and finishing procedures deliver a superior powder coat surface, highly resistant to chipping, cracking and corrosion, to create a lasting impression for your locker installation.

				
AA Ash	4A Steel Blue	5F Wine Red	78 Sand	77 Stone Gray
				
6Y Brilliant Blue	3E Green Blue	68 Gray Beige	4B Ocean Blue	X2 Antique Vellum
				
X3 Blue Streak	X4 Verdant Green	3N Taupe	WV Wood Violet	WE Burgundy
				
EQ Midnight Blue	BU Orange	X6 Marine Blue	IN Cosmos	CD Minute Man Blue
				
M5 Red Velvet	X7 True Navy	NA Canyon	H3 Hunter Green	11 Whitewash
				
PP Putty	BB Wedgewood Blue	DD Dove Gray	KK Vulcan Black	74 Sunshine
				
9A Sepia Brown	B6 Light Beige	7G Monorail Gray	YF Red Baron	

Note:

- All color chips are reproductions and approximate the actual color as closely as possible.
- Additional charges apply for custom colors.
- Contact your Lyon representative for specific costs.

Lyon ©2016

COMMITMENT TO THE ENVIRONMENT

Lyon is committed to developing products and programs that positively impact the environment. Whether the goal is creating a healthier environment, lowering operating costs, reducing emissions or maintaining an environmentally friendly product delivery system, Lyon is the clear cut leader in green initiatives within its industry.

Buying domestic steel (US steel) with recycle content and building locker, cabinet and shelving solutions in our three manufacturing plants centrally located in the USA will increase the LEED project ratings. Below is our recycled material content statement:

Lyon prides itself on being an organization that is environmentally responsible by using environmentally friendly materials in our products and having environmentally sound practices and procedures in the workplace.

Lyon's products are manufactured from steel that contains a conservatively overall estimated 53% recycled steel (36% post consumer and 17% pre consumer). Lyon purchases steel from both integrated and mini mills throughout the United States.

In addition, our packaging materials are made from either recycled or recyclable materials.

Lyon also participates in recycling programs with regard to our waste products generated during the purchase and consumption of raw materials and the manufacture of products in order to maintain our position as an environmentally friendly and responsible organization. As an organization that takes pride in being sensitive to our environment, Lyon continually works toward finding new ways to provide products to our customers that are environmentally friendly and maintaining procedures in the workplace that also do the same.



Further, Lyon has earned UL GREENGUARD Gold Certification. Recognized and referenced by more than 400 codes, rating systems, and procurement policies worldwide, the GREENGUARD Certification requires that products meet some of the world's most rigorous and comprehensive limits for low emissions of volatile organic compounds into indoor environments.

The GREENGUARD Gold standard includes health based criteria for additional chemicals and also requires lower total VOC emissions levels to ensure that products are acceptable for use in environments such as schools and healthcare facilities.

Attaining GREENGUARD Gold Certification shows Lyon is serious about making a commitment to the environment at all three of the production facilities. This certification ensures that Lyon products contribute to healthy indoor environments.

To obtain this certification, Lyon underwent extensive testing and audits conducted by UL Environment, one of the most renowned names in environmental testing and certification.

**POSITIVELY
IMPACTING THE
ENVIRONMENT**

COMMITMENT TO THE ENVIRONMENT

Lyon is committed to developing products and programs that positively impact the environment. Whether the goal is creating a healthier environment, lowering operating costs, reducing emissions or maintaining an environmentally friendly product delivery system, Lyon is the clear cut leader in green initiatives within its industry.

Buying domestic steel (US steel) with recycle content and building locker, cabinet and shelving solutions in our three manufacturing plants centrally located in the USA will increase the LEED project ratings. Below is our recycled material content statement:

Lyon prides itself on being an organization that is environmentally responsible by using environmentally friendly materials in our products and having environmentally sound practices and procedures in the workplace.

Lyon's products are manufactured from steel that contains a conservatively overall estimated 53% recycled steel (36% post consumer and 17% pre consumer). Lyon purchases steel from both integrated and mini mills throughout the United States.

In addition, our packaging materials are made from either recycled or recyclable materials.

Lyon also participates in recycling programs with regard to our waste products generated during the purchase and consumption of raw materials and the manufacture of products in order to maintain our position as an environmentally friendly and responsible organization. As an organization that takes pride in being sensitive to our environment, Lyon continually works toward finding new ways to provide products to our customers that are environmentally friendly and maintaining procedures in the workplace that also do the same.



Further, Lyon has earned UL GREENGUARD Gold Certification. Recognized and referenced by more than 400 codes, rating systems, and procurement policies worldwide, the GREENGUARD Certification requires that products meet some of the world's most rigorous and comprehensive limits for low emissions of volatile organic compounds into indoor environments.

The GREENGUARD Gold standard includes health based criteria for additional chemicals and also requires lower total VOC emissions levels to ensure that products are acceptable for use in environments such as schools and healthcare facilities.

Attaining GREENGUARD Gold Certification shows Lyon is serious about making a commitment to the environment at all three of the production facilities. This certification ensures that Lyon products contribute to healthy indoor environments.

To obtain this certification, Lyon underwent extensive testing and audits conducted by UL Environment, one of the most renowned names in environmental testing and certification.

**POSITIVELY
IMPACTING THE
ENVIRONMENT**