

- **Base Cabinets - Standing Height**
 - Open
 - Full Height Door
 - Drawer Bank
 - Door/Drawer Combination
 - Sink Base
- **Base Cabinets - Sitting Height**
 - Open
 - Full Height Door
 - Drawer Bank
 - Door/Drawer Combination
 - Sink Base
- **Base Fillers**
 - Corner Fillers
 - Knee Space Apron Kits
 - Knee Space Panels
 - Rear Filler Panels & Scribes
 - Toe Fillers & Scribes
- **Bench Frames**
 - Standard Bench Frames
 - Bench Frames with Drawers
- **Pegboards**
- **Stainless Steel Countertops**
- **Tall Cabinets**
 - Open Tall Case
 - Solid Swinging Tall Case
 - Framed Glass Swinging Tall Case
- **Upper Cabinets**
 - Open Wall Case
 - Solid Swinging Wall Case
 - Framed Glass Swinging Wall Case
- **Vertical Storage Cabinets**



Stainless Steel Inset Casework

Pharmaceutical • Biotech • Medical Device • Cleanroom • Lab • Research



Material Handling, Healthcare & Cleanroom Equipment

Material Handling USA

800-326-4403

222 S. Main St. 5th Floor, Salt Lake City, UT 84101
| <https://www.mh-usa.com/> | 800-326-4403



Eagle MHC manufactures a broad line of stainless steel inset casework featuring a wide variety of drawer and door configurations to meet your laboratory requirements.

Our casework construction and performance characteristics are in full compliance with SEFA 8M Metal standards and is proudly made in the U.S.A.



In addition to our extensive casework product line, Eagle MHC offers stainless steel countertops, custom stainless steel fabrication, laboratory sinks, workstations and storage solutions.

**Base Units -
Sitting Height Cabinets**

with Door/Drawer Combo10
 with Drawer Bank.....9
 with Full-Height Door(s).....9
 with Open Front9
 Sink Bases10

**Base Units -
Standing Height Cabinets**

with Door/Drawer Combo6-7
 with Drawer Bank.....4-5
 with Full-Height Door(s).....4
 with Open Front4
 Sink Bases8

Base Fillers

Corner Fillers12
 Knee Space Apron Kits.....11
 Knee Space Panels11
 Rear Filler Panels12
 Rear Filler Scribes12
 Toe Fillers11
 Toe Scribes11

Bench Frames

Standard.....18
 with Drawer(s)..... 18-19

Pegboards

Pegboards.....13

Stainless Steel Countertops

Stainless Steel Countertops.....20-21

Tall Cabinets

Framed Glass Swinging Tall Cases ...17
 Open Tall Cases16
 Solid Swinging Tall Cases.....16

Upper Cabinets

Framed Glass Swinging
 Wall Cases113
 Open Wall Cases112
 Solid Swinging Wall Cases.....112

Vertical Storage Cabinets

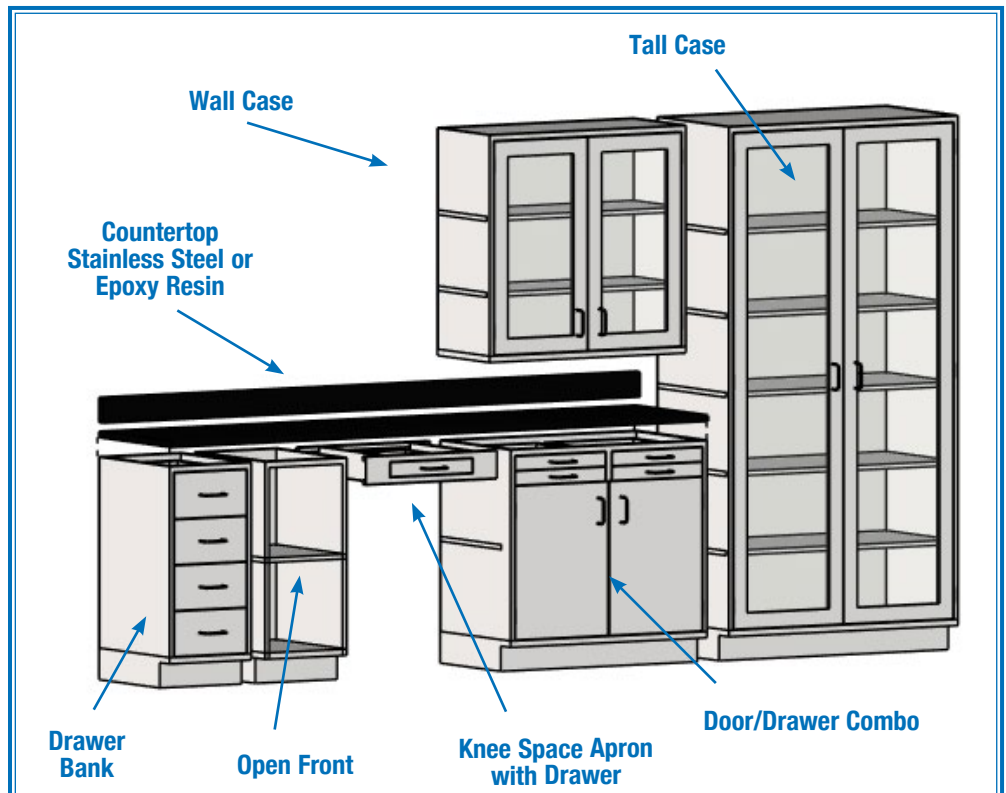
Vertical Storage Cabinets.....19

Custom Fabrication

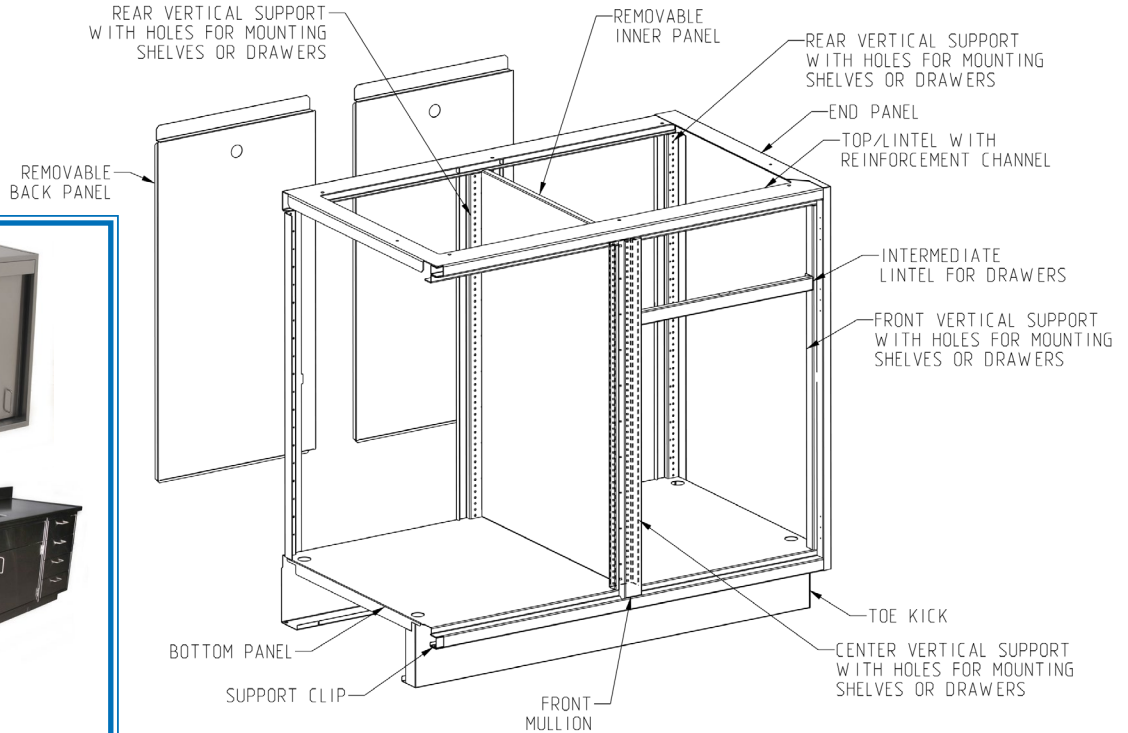
SpecFAB Custom Fabrication.....22

Design Services

Design & Space Planning.....23



Standard Casework Construction Specifications



Click on the buttons below to download copies of our **Casework General Architectural Specification, SEFA 8M Test Results – Casework and SEFA 3 Test Results - Worksurfaces.**

Download
General Architectural
Specifications

Download
CAD and
REVIT Files

Download
SEFA8 Test Results
Casework

Download
SEFA3 Test Results
Worksurfaces

Eagle MHC's casework construction and performance characteristics are in full compliance with SEFA 8M Metal standards.

Base Units - Standing Height Cabinets

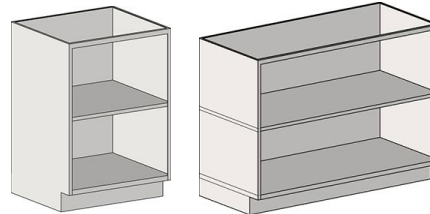
with Open Base

Download
Spec Sheet
EG03.00A

FEATURES:

- Open Base with interior shelf
- Standing Height - 35" (889mm) high.
- 22" (559mm) depth.

Freight class is 70.0.



depth		width		weight		description	model #
in	mm	in	mm	lbs.	kg		
22"	559	18"	457	74	33.6	open base	SSC-HOB-18
22"	559	24"	610	99	44.9	open base	SSC-HOB-24
22"	559	30"	762	124	56.2	open base	SSC-HOB-30
22"	559	36"	914	133	60.3	open base	SSC-HOB-36
22"	559	48"	1218	149	67.6	open base	SSC-HOB-48

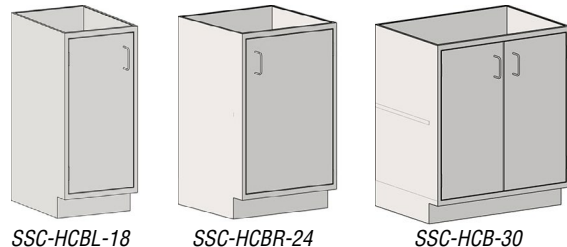
with Full-Height Door(s)

Download
Spec Sheet
EG03.00A

FEATURES:

- Full-height hinged door(s) with wire style pull.
- Intermediate shelf.
- Standing Height - 35" (889mm) high.

Freight class is 70.0.



SSC-HCBL-18

SSC-HCBL-24

SSC-HCB-30

depth		width		weight		description	model #
in	mm	in	mm	lbs.	kg		
22"	559	18"	457	99	44.9	left swing door	SSC-HCBL-18
22"	559	18"	457	99	44.9	right swing door	SSC-HCBL-18
22"	559	24"	610	124	56.2	left swing door	SSC-HCBL-24
22"	559	24"	610	124	56.2	right swing door	SSC-HCBL-24
22"	559	30"	762	174	78.9	double doors	SSC-HCB-30
22"	559	36"	914	183	83.0	double doors	SSC-HCB-36
22"	559	48"	1219	199	90.3	double doors	SSC-HCB-48

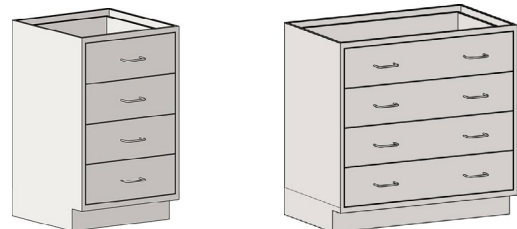
with Single-Bank Drawers

Download
Spec Sheet
EG03.00B

FEATURES:

- Units with single-bank full-length drawers.
- Standing Height - 35" (889mm) high.
- 22" (559mm) depth.

Freight class is 70.0.



SSC-HDB7-24

SSC-HDB7-36

Four 7" (178mm) Drawers Per Unit

depth		width		weight		no. of drawers	drawer height		model #
in	mm	in	mm	lbs.	kg		in.	mm	
22"	559	18"	457	142	64.4	4	7"	178	SSC-HDB7-18
22"	559	24"	610	167	75.7	4	7"	178	SSC-HDB7-24
22"	559	30"	762	260	117.9	4	7"	178	SSC-HDB7-30
22"	559	36"	914	269	122.0	4	7"	178	SSC-HDB7-36
22"	559	48"	1219	285	129.0	4	7"	178	SSC-HDB7-48

Three 10" (254mm) Drawers Per Unit

depth		width		weight		no. of drawers	drawer height		model #
in	mm	in	mm	lbs.	kg		in.	mm	
22"	559	18"	457	134	60.8	3	10"	254	SSC-HDB10-18
22"	559	24"	610	159	72.1	3	10"	254	SSC-HDB10-24
22"	559	30"	762	244	110.7	3	10"	254	SSC-HDB10-30
22"	559	36"	914	253	114.8	3	10"	254	SSC-HDB10-36
22"	559	48"	1219	269	122.1	3	10"	254	SSC-HDB10-48



SSC-HDB10-24

Consult factory for pricing.

Base Units - Standing Height Cabinets

with Single-Bank Drawers

Download
Spec Sheet
EG03.00B

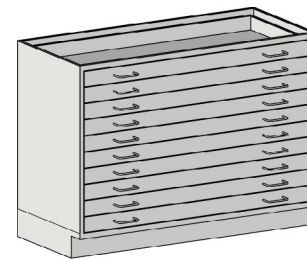
- Units with single-bank full-length drawers.
- Standing Height - 35" (889mm) high.
- 22" (559mm) depth.

FEATURES:

Freight class is 70.0.

Ten 3" (76mm) Drawers Per Unit

depth in	mm	width in	mm	weight lbs.	kg	no. of drawers	drawer height in.	mm	model #
22"	559	18"	457	174	78.9	10	3"	76	SSC-HDB3-18
22"	559	24"	610	199	90.3	10	3"	76	SSC-HDB3-24
22"	559	30"	762	324	146.9	10	3"	76	SSC-HDB3-30
22"	559	36"	914	333	151.0	10	3"	76	SSC-HDB3-36
22"	559	48"	1219	349	158.0	10	3"	76	SSC-HDB3-48



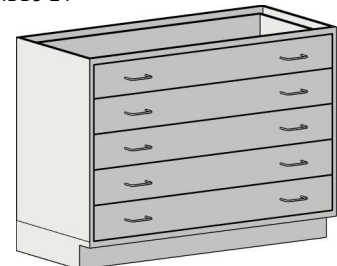
SSC-HDB3-24

Five 6" (152mm) Drawers Per Unit

depth in	mm	width in	mm	weight lbs.	kg	no. of drawers	drawer height in.	mm	model #
22"	559	18"	457	149	67.6	5	6"	152	SSC-HDB6-18
22"	559	24"	610	174	78.9	5	6"	152	SSC-HDB6-24
22"	559	30"	762	274	124.3	5	6"	152	SSC-HDB6-30
22"	559	36"	914	283	128.4	5	6"	152	SSC-HDB6-36
22"	559	48"	1219	299	135.6	5	6"	152	SSC-HDB6-48



SSC-HDB6-18



SSC-HDB6-48

with Double-Bank Drawers

Download
Spec Sheet
EG03.00C

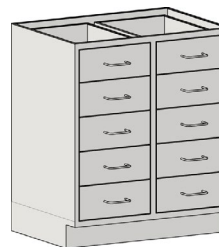
- Units with double-bank of drawers.
- Standing Height - 35" (889mm) high.
- 22" (559mm) depth.

FEATURES:

Freight class is 70.0.

Ten 6" (152mm) Drawers Per Unit

depth in	mm	width in	mm	weight lbs.	kg	no. of drawers	drawer height in.	mm	model #
22"	559	30"	762	548	248.6	10	6"	152	SSC-HDBD6-30
22"	559	36"	914	566	256.7	10	6"	152	SSC-HDBD6-36
22"	559	48"	1219	598	271.2	10	6"	152	SSC-HDBD6-48

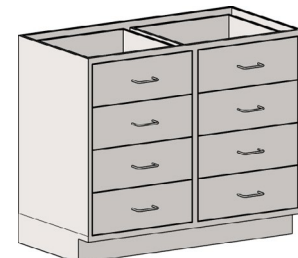


SSC-HDBD6-36



Eight 7" (178mm) Drawers Per Unit

depth in	mm	width in	mm	weight lbs.	kg	no. of drawers	drawer height in.	mm	model #
22"	559	30"	762	520	235.9	8	7"	152	SSC-HDBD7-30
22"	559	36"	914	538	244.0	8	7"	152	SSC-HDBD7-36
22"	559	48"	1219	570	258.6	8	7"	152	SSC-HDBD7-48



SSC-HDBD7-48

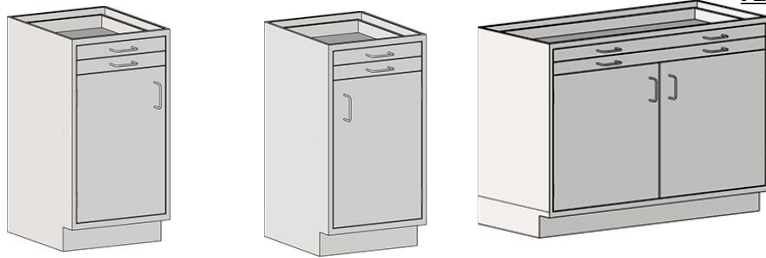
Consult factory for pricing.

Base Units - Standing Height Cabinets

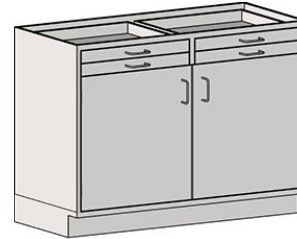
with Door/Drawer Combination

- Units with hinged door(s) and drawer(s).
- Standing Height - 35" (899mm) high.
- 22" (559mm) depth.

FEATURES:



Freight class is 70.0.



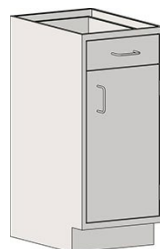
Download
Spec Sheet
EG03.000

Units with 3" (76mm) Drawers

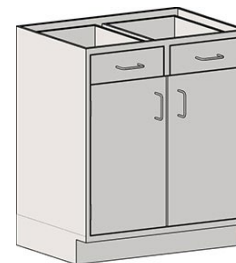
depth		width		weight		no. of drawers	drawer height		description	model #
in	mm	in	mm	lbs.	kg		in.	mm		
22"	559	18"	457	94	42.6	2	3"	76	left swing door	SSC-HDDL3-18
22"	559	18"	457	94	42.6	2	3"	76	right swing door	SSC-HDDR3-18
22"	559	24"	610	119	53.9	2	3"	76	left swing door	SSC-HDDL3-24
22"	559	24"	610	119	53.9	2	3"	76	right swing door	SSC-HDDR3-24
22"	559	30"	762	214	97.1	2	3"	76	double doors	SSC-HDDT3-30
22"	559	36"	914	223	101.1	2	3"	76	double doors	SSC-HDDT3-36
22"	559	48"	1219	239	108.4	2	3"	76	double doors	SSC-HDDT3-48
22"	559	30"	762	224	101.6	4	3"	76	double doors	SSC-HDDT3D-30
22"	559	36"	914	233	105.7	4	3"	76	double doors	SSC-HDDT3D-36
22"	559	48"	1219	249	112.9	4	3"	76	double doors	SSC-HDDT3D-48



SSC-HDDL6-18



SSC-HDDL6-18



SSC-HDDT6D-30

Download
Spec Sheet
EG03.000

Units with One or Two 6" (152mm) Drawers

depth		width		weight		no. of drawers	drawer height		description	model #
in	mm	in	mm	lbs.	kg		in.	mm		
22"	559	18"	457	114	51.7	1	6"	152	left swing door	SSC-HDDL6-18
22"	559	18"	457	114	51.7	1	6"	152	right swing door	SSC-HDDR6-18
22"	559	24"	610	139	63.0	1	6"	152	left swing door	SSC-HDDL6-24
22"	559	24"	610	139	63.0	1	6"	152	right swing door	SSC-HDDR6-24
22"	559	30"	762	204	92.5	1	6"	152	double doors	SSC-HDDT6-30
22"	559	36"	914	213	96.6	1	6"	152	double doors	SSC-HDDT6-36
22"	559	48"	1218	229	103.9	1	6"	152	double doors	SSC-HDDT6-48
22"	559	30"	762	214	97.1	2	6"	152	double doors	SSC-HDDT6D-30
22"	559	36"	914	223	101.2	2	6"	152	double doors	SSC-HDDT6D-36
22"	559	48"	1218	239	108.4	2	6"	152	double doors	SSC-HDDT6D-48

Consult factory for pricing.

Base Units - Standing Height Cabinets

with Door/Drawer Combination (cont.)

Download
Spec Sheet
EG03.00E

FEATURES:

- Units with door(s) and drawer(s).
- Standing Height - 35" (889mm) high.
- 22" (559mm) depth.

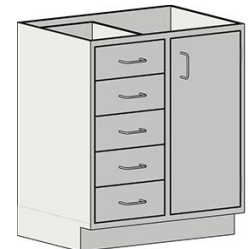
Freight class is 70.0.

Units with Five 6" (152mm) Drawers

depth		width		weight		no. of drawers	drawer height		description	model #
in	mm	in	mm	lbs.	kg		in.	mm		
22"	559	30"	762	209	94.8	5	6"	152	left swing door	SSC-HDDL6-30
22"	559	30"	762	209	94.8	5	6"	152	right swing door	SSC-HDDR6-30
22"	559	36"	914	218	98.9	5	6"	152	left swing door	SSC-HDDL6-36
22"	559	36"	914	218	98.9	5	6"	152	right swing door	SSC-HDDR6-36
22"	559	48"	1219	234	106.1	5	6"	152	left swing door	SSC-HDDL6-48
22"	559	48"	1219	234	106.1	5	6"	152	right swing door	SSC-HDDR6-48



SSC-HDDL6-30



SSC-HDDR6-30

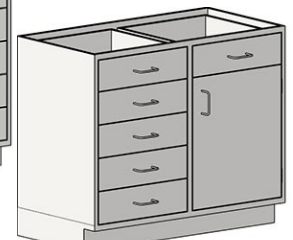
Download
Spec Sheet
EG03.00E

Units with Six 6" (152mm) Drawers

depth		width		weight		no. of drawers	drawer height		description	model #
in	mm	in	mm	lbs.	kg		in.	mm		
22"	559	30"	762	234	106.1	6	6"	152	left swing door	SSC-HDDL6D-30
22"	559	30"	762	234	106.1	6	6"	152	right swing door	SSC-HDDR6D-30
22"	559	36"	914	243	110.2	6	6"	152	left swing door	SSC-HDDL6D-36
22"	559	36"	914	243	110.2	6	6"	152	right swing door	SSC-HDDR6D-36
22"	559	48"	1219	259	117.5	6	6"	152	left swing door	SSC-HDDL6D-48
22"	559	48"	1219	259	117.5	6	6"	152	right swing door	SSC-HDDR6D-48



SSC-HDDL6D-48



SSC-HDDR6D-48

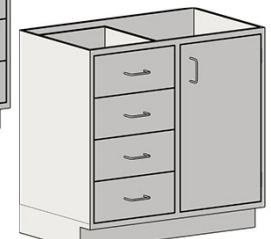
Download
Spec Sheet
EG03.00F

Units with Four 7" (178mm) Drawers

depth		width		weight		no. of drawers	drawer height		description	model #
in	mm	in	mm	lbs.	kg		in.	mm		
22"	559	30"	762	202	91.6	4	7"	178	left swing door	SSC-HDDL7-30
22"	559	30"	762	202	91.6	4	7"	178	right swing door	SSC-HDDR7-30
22"	559	36"	914	211	95.7	4	7"	178	left swing door	SSC-HDDL7-36
22"	559	36"	914	211	95.7	4	7"	178	right swing door	SSC-HDDR7-36
22"	559	48"	1219	227	102.9	4	7"	178	left swing door	SSC-HDDL7-48
22"	559	48"	1219	227	102.9	4	7"	178	right swing door	SSC-HDDR7-48



SSC-HDDL7-36



SSC-HDDR7-36

Download
Spec Sheet
EG03.00F

Units with Five 7" (178mm) Drawers

depth		width		weight		no. of drawers	drawer height		description	model #
in	mm	in	mm	lbs.	kg		in.	mm		
22"	559	30"	762	244	110.7	5	7"	178	left swing door	SSC-HDDL7D-30
22"	559	30"	762	244	110.7	5	7"	178	right swing door	SSC-HDDR7D-30
22"	559	36"	914	253	114.8	5	7"	178	left swing door	SSC-HDDL7D-36
22"	559	36"	914	253	114.8	5	7"	178	right swing door	SSC-HDDR7D-36
22"	559	48"	1219	269	122.0	5	7"	178	left swing door	SSC-HDDL7D-48
22"	559	48"	1219	269	122.0	5	7"	178	right swing door	SSC-HDDR7D-48



SSC-HDDL7D-30



Consult factory for pricing.

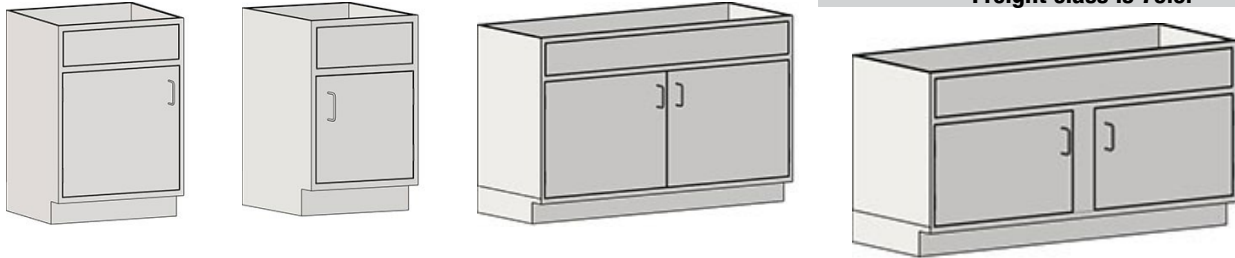
Base Units - Standing Height Cabinets

Sink Bases

Download
Spec Sheet
EG03.00G

FEATURES:

- Units with hinged door(s).
- Standing Height - 35" (889mm) high.
- Partial height back panel.
- 22" (559mm) depth.



Freight class is 70.0.

depth		width		weight		description	model #
in	mm	in	mm	lbs.	kg		
22"	559	18"	457	99	44.9	left swing door	SSC-HSBL-18
22"	559	18"	457	99	44.9	right swing door	SSC-HSBR-18
22"	559	24"	610	124	56.2	left swing door	SSC-HSBL-24
22"	559	24"	610	124	56.2	right swing door	SSC-HSBR-24
22"	559	30"	762	174	78.9	double doors	SSC-HSB-30
22"	559	36"	914	183	83.0	double doors	SSC-HSB-36
22"	559	48"	1219	199	90.2	double doors	SSC-HSB-48
22"	559	56"	1422	219	99.3	double doors	SSC-HSB-56
22"	559	58"	1473	222	100.7	double doors	SSC-HSB-58



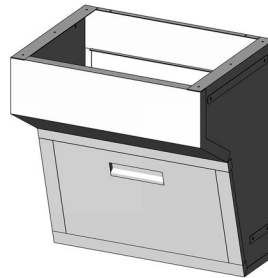
Angled Sink Bases

Download
Spec Sheet
EG03.00G

FEATURES:

- Removable access panel at front
- Open design at rear for plumbing
- Mounts to adjacent freestanding base units

depth		width		weight		model #
in	mm	in	mm	lbs.	kg	
22"	559	24"	610	53	24.0	SSC-HSBA-24
22"	559	30"	762	56	25.4	SSC-HSBA-30
22"	559	36"	914	62	28.2	SSC-HSBA-36
22"	559	48"	1219	75	34.0	SSC-HSBA-48



Freight class is 70.0.

Consult factory for pricing.

SSC-HSBS-36

Material Handling
Vials, Tubes, Syringes
Clamp, Medical Cables

- Vial Tray Carts
- Work-in-Process Carts
- Sterilizer / Autoclave Carts
- Storage Carts
- Cleanroom Carts
- Storage & Shelving
- Cleanroom Gaseous Transfer
- Laminar Flow & Hoods
- Stainless Steel Shelving
- High Density Storage
- Custom Solutions

Cleanroom Furnishings

- Workstations
- Tables
- Countertops
- Benches
- Garment Racks
- Garment Benches
- Wall Shelving

Products for Life Science
Pharmaceutical • Biotech • Medical Device • Cleanroom • Lab • Research

Eagle MHC offers a variety of products for the Life Sciences industry, serving the Pharmaceutical, Biotech, Medical Device, and Research segments of the industry. We offer a wide range of carts including vial tray carts, tote box carriers, angled shelf carts, exchange carts and storage and transport carts. Our high density storage solutions include both top track and floor track storage systems. Eagle's stainless steel workstations, wall cabinets, and stainless steel countertops and overlays rounds out our Life Sciences products offering. Custom cart and workstation systems are available to meet your exact specifications.

Additional product offerings for the lab marketplace include stationary and mobile workstations, cleanroom tables, stainless steel countertops, a variety of transport and storage carts and shelving, and a full line of stainless steel lab sinks, including stand alone and drop in models.

Base Units - Sitting Height Cabinets

with Open Base

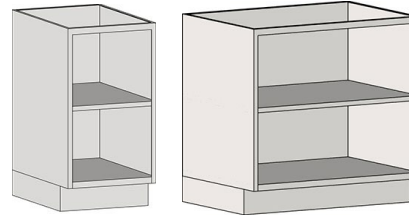
Download
Spec Sheet
EG03.01A

depth		width		weight		description	model #
in	mm	in	mm	lbs.	kg		
22"	559	18"	457	72	32.7	open base	SSC-SOB-18
22"	914	24"	610	97	44.0	open base	SSC-SOB-24
22"	914	30"	610	122	55.3	open base	SSC-SOB-30
22"	914	36"	610	131	59.4	open base	SSC-SOB-36
22"	914	48"	610	147	66.7	open base	SSC-SOB-48

FEATURES:

- Open Base with interior shelf
- Sitting Height - 29 $\frac{3}{8}$ " (740mm) high.
- 22" (559mm) depth.

Freight class is 70.0.



with Full Height Door(s)

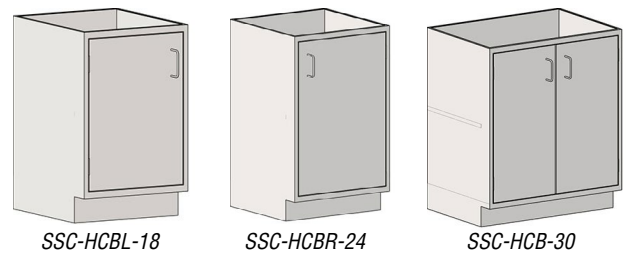
Download
Spec Sheet
EG03.01A

depth		width		weight		description	model #
in	mm	in	mm	lbs.	kg		
22"	559	18"	457	97	44.0	left swing door	SSC-SCBL-18
22"	914	18"	457	97	44.0	right swing door	SSC-SCBR-18
22"	914	24"	610	122	55.3	left swing door	SSC-SCBL-24
22"	914	24"	610	122	55.3	right swing door	SSC-SCBR-24
22"	914	30"	762	172	78.0	double doors	SSC-SCB-30
22"	914	36"	914	181	82.1	double doors	SSC-SCB-36
22"	914	48"	1219	197	89.4	double doors	SSC-SCB-48

FEATURES:

- Full height door with interior shelf
- Sitting Height - 29 $\frac{3}{8}$ " (740mm) high.
- 22" (559mm) depth.

Freight class is 70.0.



with Drawers

Download
Spec Sheet
EG03.01B

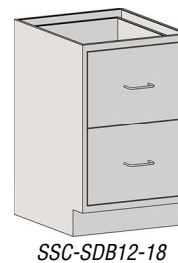
FEATURES:

- Units with single-bank full-length drawers.
- Sitting Height - 29 $\frac{3}{8}$ " (740mm) high.
- 22" (559mm) depth.

Freight class is 70.0.

Two 12" (305mm) Drawers Per Unit

depth		width		weight		no. of drawers	drawer height		model #
in	mm	in	mm	lbs.	kg		in.	mm	
22"	559	18"	457	112	50.8	2	12"	305	SSC-SDB12-18
22"	559	24"	610	137	62.1	2	12"	305	SSC-SDB12-24



Four 6" (152mm) Drawers Per Unit

depth		width		weight		no. of drawers	drawer height		model #
in	mm	in	mm	lbs.	kg		in.	mm	
22"	559	18"	457	132	59.9	4	6"	152	SSC-SDB6-18
22"	559	24"	610	157	71.2	4	6"	152	SSC-SDB6-24

Consult factory for pricing.

Base Units - Sitting Height Cabinets

with Door/Drawer Combination

Download
Spec Sheet
EG03.01C

FEATURES:

- Units with door(s) and drawer(s).
- Sitting Height - 29 1/8" (740mm) high.
- 22" (559mm) depth.

Units with 3" (76mm) Drawers

depth		width		weight		no. of drawers	drawer height		description	model #
in	mm	in	mm	lbs.	kg		in.	mm		
22"	559	18"	457	117	53.1	2	3"	152	left swing door	SSC-SDDL3-18
22"	559	18"	457	117	53.1	2	3"	152	right swing door	SSC-SDDRT3-18
22"	559	24"	610	142	64.4	2	3"	152	left swing door	SSC-SDDL3-24
22"	559	24"	610	142	64.4	2	3"	152	right swing door	SSC-SDDRT3-24

Freight class is 70.0.



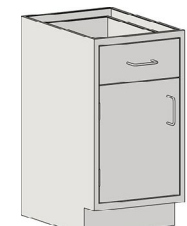
SSC-SDDL3-24



SSC-SDDRT3-24

Units with 6" (152mm) Drawer

depth		width		weight		no. of drawers	drawer height		description	model #
in	mm	in	mm	lbs.	kg		in.	mm		
22"	559	18"	457	112	50.8	1	6"	152	left swing door	SSC-SDDL6-18
22"	914	18"	457	112	50.8	1	6"	152	right swing door	SSC-SDDRT6-18
22"	914	24"	457	137	62.1	1	6"	152	left swing door	SSC-SDDL6-24
22"	914	24"	610	137	62.1	1	6"	152	right swing door	SSC-SDDRT6-24



SSC-SDDL6-18



SSC-SDDRT6-18



Sink Bases

Download
Spec Sheet
EG03.01D

FEATURES:

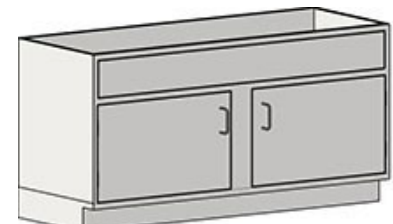
- Units with hinged door(s).
- Sitting Height - 29 1/8" (740mm) high.
- Partial height back panel.
- 22" (559mm) depth.

Freight class is 70.0.

depth		width		weight		description	model #
in	mm	in	mm	lbs.	kg		
22"	559	18"	457	97	44.0	left swing door	SSC-SSBL-18
22"	914	18"	457	97	44.0	right swing door	SSC-SSBR-18
22"	914	24"	610	122	55.3	left swing door	SSC-SSBL-24
22"	914	24"	610	122	55.3	right swing door	SSC-SSBR-24
22"	914	30"	762	172	78.0	double doors	SSC-SSB-30
22"	914	36"	914	181	82.1	double doors	SSC-SSB-36
22"	914	48"	1219	197	89.4	double doors	SSC-SSB-48
22"	559	56	1422	217	98.4	double doors	SSC-SSB-56
22"	559	58	1473	220	99.8	double doors	SSC-SSB-58



SSC-SSBL-24



SSC-SSB-56

Angled Sink Bases

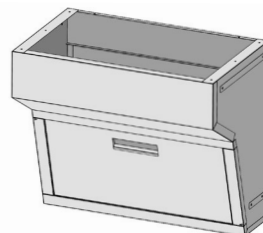
Download
Spec Sheet
EG03.01D

FEATURES:

- Removable access panel at front
- Open design at rear for plumbing
- Mounts to adjacent freestanding base units

Freight class is 70.0.

depth		width		weight		model #
in	mm	in	mm	lbs.	kg	
22"	559	24"	610	49	22.2	SSC-SSBA-24
22"	559	30"	762	52	23.6	SSC-SSBA-30
22"	559	36"	914	56	25.4	SSC-SSBA-36
22"	559	48"	1219	65	29.5	SSC-SSBA-48



SSC-SSBA-18

Consult factory for pricing.

Base Fillers

Knee Space Apron Kits

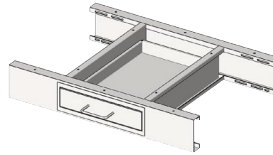
[Download Spec Sheet EG03.02A](#)

		without Drawer			w/One 3" Drawer				
depth		width		weight		weight			
in	mm	in.	mm	lbs.	kg	lbs.	kg		
22"	559	24"	610	32	14.5	SSC-KAK-24	46	20.8	SSC-KAK1D-24
22"	559	30"	762	35	15.9	SSC-KAK-30	49	22.2	SSC-KAK1D-30
22"	559	36"	914	38	17.2	SSC-KAK-36	52	23.6	SSC-KAK1D-36
22"	559	48"	1219	41	18.5	SSC-KAK-48	55	25.0	SSC-KAK1D-48

FEATURES:

- Ships knocked down.
- Mounts to adjacent freestanding bases.
- Kits with Drawer feature 3" drawer assembly with wire pull.

Freight class is 70.0.



Knee-Space Filler Panels

[Download Spec Sheet EG03.02A](#)

		35" Standing Height			29 1/2" Sitting Height		
width		weight		weight		weight	
in	mm	lbs.	kg	lbs.	kg	lbs.	kg
24"	610	20.0	9.1	SSC-HKPL-24	17.0	7.7	SSC-SKPL-24
30"	762	22.0	10.1	SSC-HKPL-30	18.5	8.6	SSC-SKPL-30
36"	914	24.0	10.9	SSC-HKPL-36	20.0	9.0	SSC-SKPL-36

FEATURES:

- 29 1/2" (740mm) Sitting or 35" (889mm) Standing Height.
- For use with no apron above.

Freight class is 70.0.



Toe Fillers

[Download Spec Sheet EG03.02A](#)

		35" Standing Height			29 1/2" Sitting Height			84" Tall Height				
depth		width		weight		weight		weight		weight		
in	mm	in.	mm	lbs.	kg	lbs.	kg	lbs.	kg	lbs.	kg	
1"	25	3"	76	1.0	0.5	SSC-HTF-3	0.9	0.5	SSC-STF-3	2.4	1.1	SSC-TTF-3
1"	25	6"	152	2.0	0.9	SSC-HTF-6	1.7	0.8	SSC-STF-6	4.8	2.2	SSC-TTF-6
1"	25	12"	305	3.0	1.4	SSC-HTF-12	2.5	1.1	SSC-STF-12	9.6	4.4	SSC-TTF-12

FEATURES:

- 29 1/2" (740mm) Sitting, 35" (889mm) Standing Height, or 84" (2134mm) Tall Height.

Freight class is 70.0.



Toe Scribes

[Download Spec Sheet EG03.02A](#)

		35" Standing Height			29 1/2" Sitting Height			84" Tall Height				
depth		width		weight		weight		weight		weight		
in	mm	in.	mm	lbs.	kg	lbs.	kg	lbs.	kg	lbs.	kg	
1"	25	1"	25	1.0	0.5	SSC-HTSL-1	0.9	0.5	SSC-STSL-1	2.4	1.1	SSC-TTSL-1
1"	25	2"	51	1.5	0.7	SSC-HTSL-2	1.0	0.5	SSC-STSL-2	3.6	1.6	SSC-TTSL-2
1"	25	3"	76	2.0	0.9	SSC-HTSL-3	1.3	0.6	SSC-STSL-3	4.8	2.2	SSC-TTSL-3
1"	25	1"	25	1.0	0.5	SSC-HTSR-1	0.9	0.5	SSC-STSR-1	2.4	1.1	SSC-TTSR-1
1"	25	2"	51	1.5	0.7	SSC-HTSR-2	1.0	0.5	SSC-STSR-2	3.6	1.6	SSC-TTSR-2
1"	25	3"	76	2.0	0.9	SSC-HTSR-3	1.3	0.6	SSC-STSR-3	4.8	2.2	SSC-TTSR-3

FEATURES:

- 29 1/2" (740mm) Sitting, 35" (889mm) Standing Height, or 84" (2134mm) Tall Height.

Freight class is 70.0.



Consult factory for pricing.

Base Fillers

Rear Filler Panels

Download
Spec Sheet
EG03.02B

FEATURES:

- 29½" (740mm) Sitting, 35" (889mm) Standing Height, or 84" (2134mm) Tall Height.

Freight class is 70.0.

depth		width		35" Standing Height			29½" Sitting Height			weight		
in	mm	in.	mm	lbs.	kg	model #	lbs.	kg	model #	lbs.	kg	model #
3"	76	6"	152	4.0	1.8	SSC-HRFP-6	3.0	1.4	SSC-SRFP-6	9.6	4.4	SSC-TRFP-6
3"	76	12"	305	5.0	2.3	SSC-HRFP-12	4.0	1.8	SSC-SRFP-12	14.4	6.5	SSC-TRFP-12



Rear Filler Scribes

Download
Spec Sheet
EG03.02B

FEATURES:

- 29½" (740mm) Sitting, 35" (889mm) Standing Height, or 84" (2134mm) Tall Height.

Freight class is 70.0.

depth		width		35" Standing Height			29½" Sitting Height			84" Tall Height			
in	mm	in.	mm	orientation	lbs.	kg	model #	lbs.	kg	model #	lbs.	kg	model #
1"	25	1"	25	left	1.2	0.5	SSC-HRFSL-1	1.0	0.5	SSC-SRFSL-1	2.9	1.3	SSC-TRFSL-1
1"	25	2"	51	left	1.4	0.6	SSC-HRFSL-2	1.0	0.5	SSC-SRFSL-2	3.4	1.5	SSC-TRFSL-2
1"	25	3"	76	left	2.2	1.0	SSC-HRFSL-3	2.0	0.9	SSC-SRFSL-3	5.3	2.4	SSC-TRFSL-3
1"	25	6"	152	left	3.3	1.5	SSC-HRFSL-6	3.0	1.4	SSC-SRFSL-6	7.9	3.6	SSC-TRFSL-6
1"	25	1"	25	right	1.2	0.5	SSC-HRFSR-1	1.0	0.5	SSC-SRFSR-1	2.9	1.3	SSC-TRFSR-1
1"	25	2"	51	right	1.4	0.6	SSC-HRFSR-2	1.0	0.5	SSC-SRFSR-2	3.4	1.5	SSC-TRFSR-2
1"	25	3"	76	right	2.2	1.0	SSC-HRFSR-3	2.0	0.9	SSC-SRFSR-3	5.3	2.4	SSC-TRFSR-3
1"	25	6"	152	right	3.3	1.5	SSC-HRFSR-6	3.0	1.4	SSC-SRFSR-6	7.9	3.6	SSC-TRFSR-6

Corner Fillers

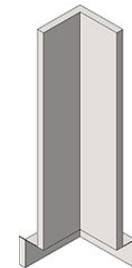
Download
Spec Sheet
EG03.02B

FEATURES:

- 29½" (740mm) Sitting, 35" (889mm) Standing Height, or 84" (2134mm) Tall Height.

Freight class is 70.0.

depth		width		35" Standing Height			84" Tall Height		
in	mm	in.	mm	lbs.	kg	model #	lbs.	kg	model #
1"	25	3"	76	2.0	0.9	SSC-HCF-3	1.5	0.7	SSC-SCF-3
1"	25	6"	152	3.0	1.4	SSC-HCF-6	2.5	1.1	SSC-SCF-6



Consult factory for pricing.

Peg Boards



SSC-PB1824-4

Download
Spec Sheet
EG03.06

- Heavy gauge 304 stainless steel construction
- Comes standard with 6" white polymer pegs
- 4" integral drip trough
- All drip troughs come with 36" long clear flexible drain tubing
- Wall mounting bracket included

FEATURES:

Freight class is 70.0.



width		height		weight		no. of pegs	model #
in	mm	in	mm	lbs.	kg		
18"	457	24"	610	13	5.9	15	SSC-PB1824-4
24"	610	18"	457	15	6.8	16	SSC-PB2418-4
24"	610	24"	610	17	7.7	20	SSC-PB2424-4
24"	610	30"	762	23	10.4	32	SSC-PB2430-4
24"	610	36"	914	25	11.8	40	SSC-PB2436-4
30"	762	24"	610	23	10.4	25	SSC-PB3024-4
30"	762	30"	762	25	10.9	50	SSC-PB3030-4
30"	762	36"	914	25	10.9	40	SSC-PB3036-4
36"	914	24"	610	25	11.8	30	SSC-PB3624-4
36"	914	30"	762	26	10.9	60	SSC-PB3630-4
36"	914	36"	914	27	11.3	66	SSC-PB3636-4
48"	1219	24"	610	26	11.8	40	SSC-PB3624-4
48"	1219	30"	762	28	12.7	48	SSC-PB3630-4
48"	1219	36"	914	30	13.6	88	SSC-PB3636-4

Consult factory for pricing.



Eagle MHC's experienced design and quotations team can work with you to ensure your project meets and exceeds your laboratory requirements.

We support you every step of the process, from quotations, layout, submittals and through our state of the art manufacturing processes.

Our professional Field Services Team can assist with installation, field work and on site management of the installation process.

Upper Cabinets

Open Wall Cases

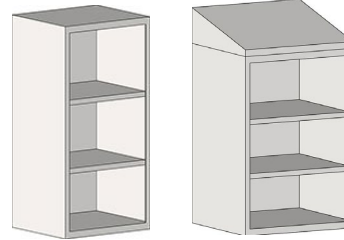
Download
Spec Sheet
EG03.03A

FEATURES:

- Open front.
- Two adjustable shelves.
- 31" (787mm) height.
- 13" (330mm) or 16" (406mm) depth.

depth		width		weight		with Flat Top		with Sloped Top	
in	mm	in	mm	lbs.	kg	model #	weight	weight	model #
							lbs.	kg	
13"	330	18"	457	117	53.1	SSC-WCO-1318	132	59.9	SSC-WCOST-1318
13"	330	24"	610	123	55.8	SSC-WCO-1324	138	62.6	SSC-WCOST-1324
13"	330	30"	762	129	58.5	SSC-WCO-1330	144	65.3	SSC-WCOST-1330
13"	330	36"	914	141	63.9	SSC-WCO-1336	156	70.7	SSC-WCOST-1336
13"	330	48"	1219	165	74.8	SSC-WCO-1348	180	81.6	SSC-WCOST-1348
16"	406	18"	457	122	55.3	SSC-WCO-1618	137	62.1	SSC-WCOST-1618
16"	406	24"	610	128	58.0	SSC-WCO-1624	143	64.9	SSC-WCOST-1624
16"	406	30"	762	134	60.8	SSC-WCO-1630	149	67.6	SSC-WCOST-1630
16"	406	36"	914	146	66.2	SSC-WCO-1636	161	73.0	SSC-WCOST-1636
16"	406	48"	1219	170	77.1	SSC-WCO-1648	185	83.9	SSC-WCOST-1648

Freight class is 70.0.



Solid Swinging Wall Cases

Download
Spec Sheet
EG03.03B

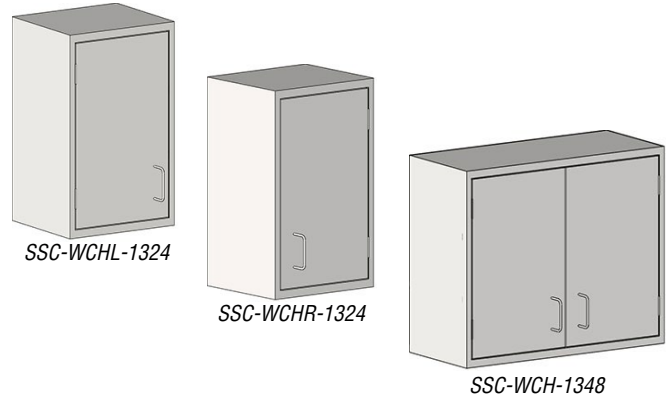
FEATURES:

- Full height solid hinged door(s).
- Two adjustable shelves.
- 31" (787mm) height.
- 13" (330mm) or 16" (406mm) depth.

with Flat Top

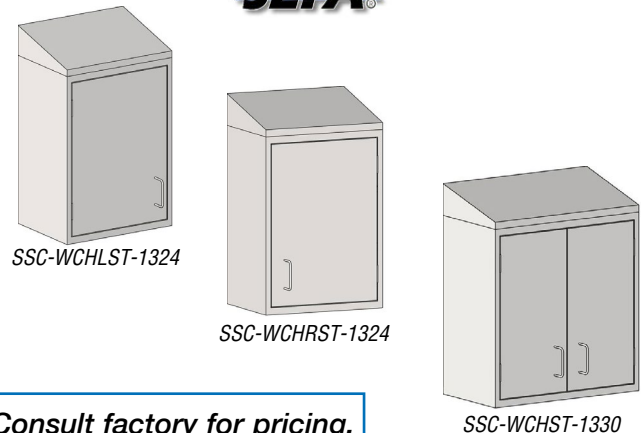
depth		width		weight		description	model #
in	mm	in	mm	lbs.	kg		
13"	330	18"	457	136	61.7	left swing door	SSC-WCHL-1318
13"	330	18"	457	136	61.7	right swing door	SSC-WCHR-1318
13"	330	24"	610	142	64.4	left swing door	SSC-WCHL-1324
13"	330	24"	610	142	64.4	right swing door	SSC-WCHR-1324
13"	330	30"	762	154	69.8	double doors	SSC-WCH-1330
13"	330	36"	914	172	78.0	double doors	SSC-WCH-1336
13"	330	48"	1219	208	94.3	double doors	SSC-WCH-1348
16"	406	18"	457	142	64.4	left swing door	SSC-WCHL-1618
16"	406	18"	457	142	64.4	right swing door	SSC-WCHR-1618
16"	406	24"	610	148	67.1	left swing door	SSC-WCHL-1624
16"	406	24"	610	148	67.1	right swing door	SSC-WCHR-1624
16"	406	30"	762	160	72.6	double doors	SSC-WCH-1630
16"	406	36"	914	166	75.3	double doors	SSC-WCH-1636
16"	406	48"	1219	214	97.1	double doors	SSC-WCH-1648

Freight class is 70.0.



with Sloped Top

depth		width		weight		description	model #
in	mm	in	mm	lbs.	kg		
13"	330	18"	457	156	70.7	left swing door	SSC-WCHLST-1318
13"	330	18"	457	156	70.7	right swing door	SSC-WCHRST-1318
13"	330	24"	610	162	73.5	left swing door	SSC-WCHLST-1324
13"	330	24"	610	162	73.5	right swing door	SSC-WCHRST-1324
13"	330	30"	762	174	78.9	double doors	SSC-WCHST-1330
13"	330	36"	914	192	87.1	double doors	SSC-WCHST-1336
13"	330	48"	1219	228	103.4	double doors	SSC-WCHST-1348
16"	406	18"	457	162	73.5	left swing door	SSC-WCHLST-1618
16"	406	18"	457	162	73.5	right swing door	SSC-WCHRST-1618
16"	406	24"	610	168	76.2	left swing door	SSC-WCHLST-1624
16"	406	24"	610	168	76.2	right swing door	SSC-WCHRST-1624
16"	406	30"	762	180	81.6	double doors	SSC-WCHST-1630
16"	406	36"	914	186	84.4	double doors	SSC-WCHST-1636
16"	406	48"	1219	234	106.1	double doors	SSC-WCHST-1648



Consult factory for pricing.

Upper Cabinets

Framed Glass Swinging Wall Cases

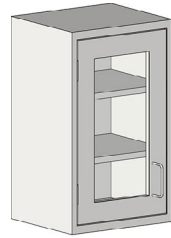
Download
Spec Sheet
EG03.03C

with Flat Top

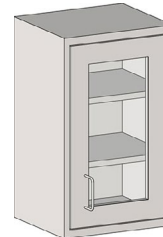
depth		width		weight		description	model #
in	mm	in	mm	lbs.	kg		
13"	330	18"	457	166	75.3	left swing door	SSC-WCGHL-1318
13"	330	18"	457	166	75.3	right swing door	SSC-WCGHR-1318
13"	330	24"	610	172	78.0	left swing door	SSC-WCGHL-1324
13"	330	24"	610	172	78.0	right swing door	SSC-WCGHR-1324
13"	330	30"	762	184	83.4	double doors	SSC-WCGH-1330
13"	330	36"	914	184	83.4	double doors	SSC-WCGH-1336
13"	330	48"	1219	202	91.6	double doors	SSC-WCGH-1348
16"	406	18"	457	172	78.0	left swing door	SSC-WCGHL-1618
16"	406	18"	457	172	78.0	right swing door	SSC-WCGHR-1618
16"	406	24"	610	178	80.7	left swing door	SSC-WCGHL-1624
16"	406	24"	610	178	80.7	right swing door	SSC-WCGHR-1624
16"	406	30"	762	160	72.6	double doors	SSC-WCGH-1630
16"	406	36"	914	166	75.3	double doors	SSC-WCGH-1636
16"	406	48"	1219	214	97.1	double doors	SSC-WCGH-1648

- FEATURES:**
- Full height hinged door(s) with framed glass.
 - Two adjustable shelves.
 - 31" (787mm) height.
 - 13" (330mm) or 16" (406mm) depth.

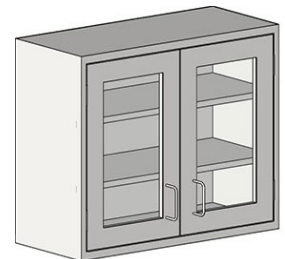
Freight class is 70.0.



SSC-WCGHL-1324



SSC-WCGHR-1324

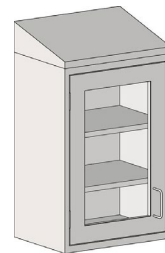


SSC-WCGH-1348

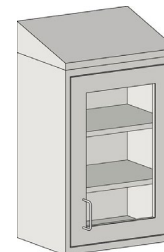
Download
Spec Sheet
EG03.03C

with Sloped Top

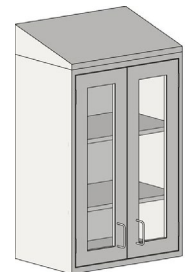
depth		width		weight		description	model #
in	mm	in	mm	lbs.	kg		
13"	330	18"	457	186	84.4	left swing door	SSC-WCGHLST-1318
13"	330	18"	457	186	84.4	right swing door	SSC-WCGHRST-1318
13"	330	24"	610	192	87.1	left swing door	SSC-WCGHLST-1324
13"	330	24"	610	192	87.1	right swing door	SSC-WCGHRST-1324
13"	330	30"	762	244	110.7	double doors	SSC-WCGHST-1330
13"	330	36"	914	222	100.7	double doors	SSC-WCGHST-1336
13"	330	48"	1219	158	71.7	double doors	SSC-WCGHST-1348
16"	406	18"	457	192	87.1	left swing door	SSC-WCGHLST-1618
16"	406	18"	457	192	87.1	right swing door	SSC-WCGHRST-1618
16"	406	24"	610	198	89.8	left swing door	SSC-WCGHLST-1624
16"	406	24"	610	198	89.8	right swing door	SSC-WCGHRST-1624
16"	406	30"	762	210	95.2	double doors	SSC-WCGHST-1630
16"	406	36"	914	216	98.0	double doors	SSC-WCGHST-1636
16"	406	48"	1219	264	119.7	double doors	SSC-WCGHST-1648



SSC-WCGHLST-1324



SSC-WCGHRST-1324



SSC-WCGHST-1630

Consult factory for pricing.

Tall Cabinets

Open Tall Cases

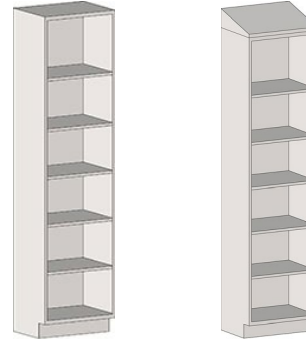
Download
Spec Sheet
EG03.04A

FEATURES:

- Open front.
- Five adjustable shelves.
- 84" (2134mm) height.
- 18" (457mm) or 24" (610mm) depth.

		with Flat Top				with Sloped Top			
depth		width		weight				weight	
in	mm	in	mm	lbs.	kg	model #	lbs.	kg	model #
18"	457	24"	610	263	119.3	SSC-TOB-1824	283	128.3	SSC-TOBST-1824
18"	457	30"	762	293	132.9	SSC-TOB-1830	313	142.0	SSC-TOBST-1830
18"	457	36"	914	301	136.5	SSC-TOB-1836	321	145.6	SSC-TOBST-1836
18"	457	48"	1219	331	150.1	SSC-TOB-1848	351	159.2	SSC-TOBST-1848
24"	610	24"	610	338	153.3	SSC-TOB-2424	358	162.4	SSC-TOBST-2424
24"	610	30"	762	368	166.9	SSC-TOB-2430	388	176.0	SSC-TOBST-2430
24"	610	36"	914	413	187.3	SSC-TOB-2436	433	196.4	SSC-TOBST-2436
24"	610	48"	1219	443	200.9	SSC-TOB-2448	463	210.0	SSC-TOBST-2448

Freight class is 70.0.



Solid Swinging Tall Cases

Download
Spec Sheet
EG03.04B

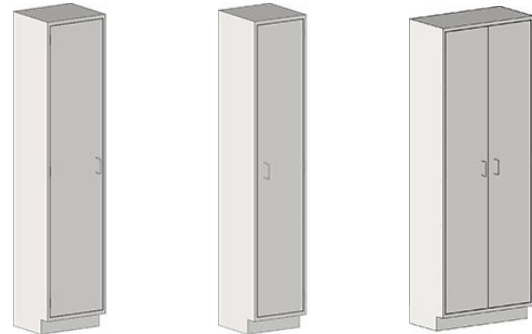
FEATURES:

- Full height solid hinged door(s).
- Five adjustable shelves.
- 84" (2134mm) height.
- 18" (457mm) or 24" (610mm) depth.

with Flat Top

depth		width		weight		description	model #
in	mm	in	mm	lbs.	kg		
18"	457	24"	610	343	64.4	left swing door	SSC-TCBL-1824
18"	457	24"	610	343	64.4	right swing door	SSC-TCBR-1824
18"	457	30"	762	381	69.8	double doors	SSC-TCB-1830
18"	457	36"	914	413	78.0	double doors	SSC-TCB-1836
18"	457	48"	1219	418	94.3	double doors	SSC-TCB-1848
24"	610	24"	610	373	67.1	left swing door	SSC-TCBL-2424
24"	610	24"	610	373	67.1	right swing door	SSC-TCBR-2424
24"	610	30"	762	448	72.6	double doors	SSC-TCB-2430
24"	610	36"	914	493	75.3	double doors	SSC-TCB-2436
24"	610	48"	1219	523	97.1	double doors	SSC-TCB-2448

Freight class is 70.0.



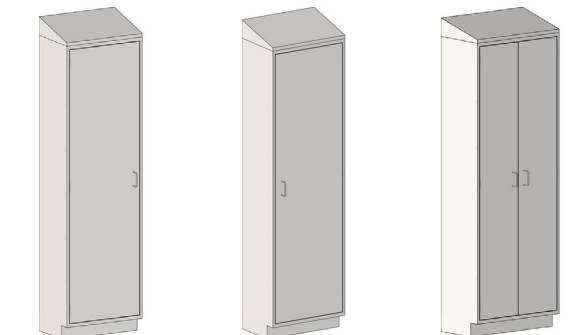
SSC-TCBL-1824

SSC-TCBR-1824

SSC-TCB-1830

with Sloped Top

depth		width		weight		description	model #
in	mm	in	mm	lbs.	kg		
18"	457	24"	610	363	164.6	left swing door	SSC-TCBSTL-1824
18"	457	24"	610	363	164.6	right swing door	SSC-TCBSTR-1824
18"	457	30"	762	401	181.9	double doors	SSC-TCBST-1830
18"	457	36"	914	431	195.5	double doors	SSC-TCBST-1836
18"	457	48"	1219	438	198.6	double doors	SSC-TCBST-1848
24"	610	24"	610	393	178.2	left swing door	SSC-TCBSTL-2424
24"	610	24"	610	393	178.2	right swing door	SSC-TCBSTR-2424
24"	610	30"	762	468	212.2	double doors	SSC-TCBST-2430
24"	610	36"	914	513	232.7	double doors	SSC-TCBST-2436
24"	610	48"	1219	543	246.3	double doors	SSC-TCBST-2448



SSC-TCBSTL-1824

SSC-TCBSTR-1824

SSC-TCBST-1830

Consult factory for pricing.

Tall Cabinets



Framed Glass Swinging Tall Cases

Download
Spec Sheet
EG03.04C

with Flat Top

7 depth		width		weight		description	model #
in	mm	in	mm	lbs.	kg		
18"	457	24"	610	443	200.9	left swing door	SSC-TCBGL-1824
18"	457	24"	610	443	200.9	right swing door	SSC-TCBGR-1824
18"	457	30"	762	481	218.1	double doors	SSC-TCBG-1830
18"	457	36"	914	481	218.1	double doors	SSC-TCBG-1836
18"	457	48"	1219	518	234.9	double doors	SSC-TCBG-1848
24"	610	24"	610	473	214.5	left swing door	SSC-TCBGL-2424
24"	610	24"	610	473	214.5	right swing door	SSC-TCBGR-2424
24"	610	30"	762	548	248.5	double doors	SSC-TCBG-2430
24"	610	36"	914	593	268.9	double doors	SSC-TCBG-2436
24"	610	48"	1219	623	282.5	double doors	SSC-TCBG-2448

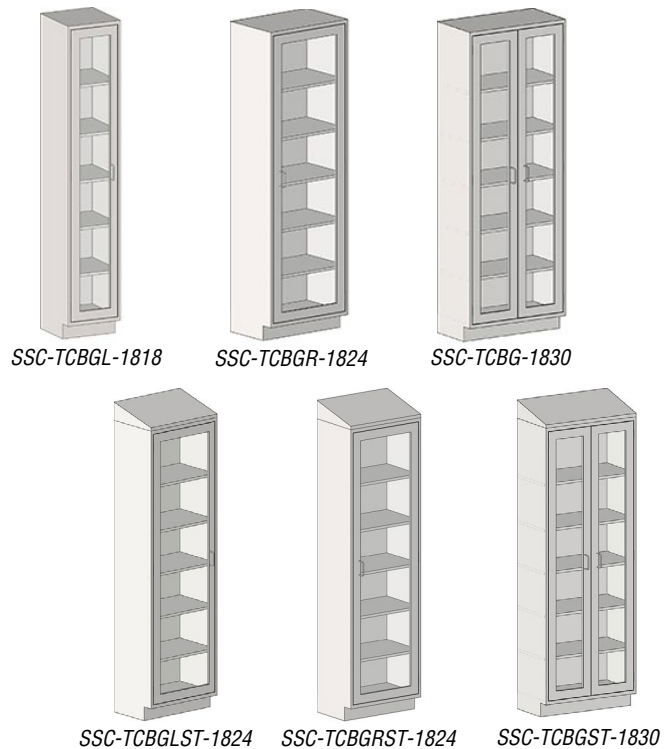
with Sloped Top

depth		width		weight		description	model #
in	mm	in	mm	lbs.	kg		
18"	457	24"	610	463	210.0	left swing door	SSC-TCBGLST-1824
18"	457	24"	610	463	210.0	right swing door	SSC-TCBGRST-1824
18"	457	30"	762	501	227.2	double doors	SSC-TCBGST-1830
18"	457	36"	914	531	240.8	double doors	SSC-TCBGST-1836
18"	457	48"	1219	538	244.0	double doors	SSC-TCBGST-1848
24"	610	24"	610	493	223.6	left swing door	SSC-TCBGLST-2424
24"	610	24"	610	493	223.6	right swing door	SSC-TCBGRST-2424
24"	610	30"	762	568	257.6	double doors	SSC-TCBGST-2430
24"	610	36"	914	613	278.0	double doors	SSC-TCBGST-2436
24"	610	48"	1219	643	291.6	double doors	SSC-TCBGST-2448

- Full height hinged door(s) with framed glass.
- Five adjustable shelves.
- 84" (2134mm) height.
- 18" (457mm) or 24" (610mm) depth.

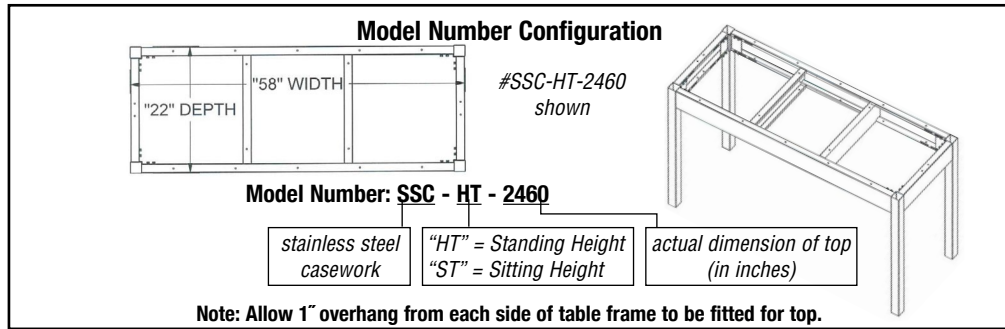
FEATURES:

Freight class is 70.0.



Consult factory for pricing.

Bench Frames



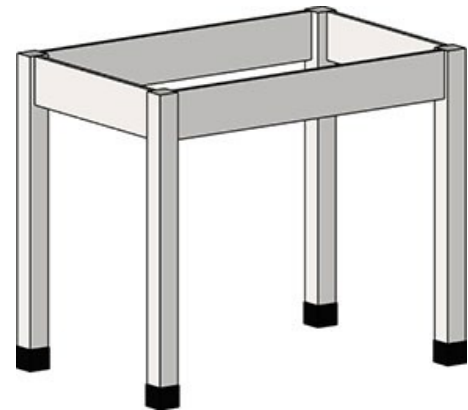
Standard Bench Frames

Download
Spec Sheet
EG03.05A

- FEATURES:**
- Standing and Sitting-Height models available.
 - 22" (559mm) or 28" (712mm) depth.

Freight class is 70.0.

35" Standing Height						29 1/2" Sitting Height					
depth		width		weight		model #	weight		model #		
in	mm	in	mm	lbs.	kg		lbs.	kg			
22"	559	22"	559	50	22.7	SSC-HT-2424	48	21.8	SSC-ST-2424		
22"	559	28"	711	55	24.9	SSC-HT-2430	53	24.0	SSC-ST-2430		
22"	559	34"	864	60	27.2	SSC-HT-2436	58	26.3	SSC-ST-2436		
22"	559	40"	1016	65	29.5	SSC-HT-2442	63	28.6	SSC-ST-2442		
22"	559	46"	1168	70	31.7	SSC-HT-2448	68	30.8	SSC-ST-2448		
22"	559	58"	1473	78	35.4	SSC-HT-2460	76	34.5	SSC-ST-2460		
22"	559	64"	1626	84	38.1	SSC-HT-2466	82	37.2	SSC-ST-2466		
22"	559	70"	1778	90	40.8	SSC-HT-2472	88	39.9	SSC-ST-2472		
28"	711	22"	559	55	24.9	SSC-HT-3024	53	24.0	SSC-ST-3024		
28"	711	28"	711	58	26.3	SSC-HT-3030	56	25.4	SSC-ST-3030		
28"	711	34"	864	65	29.5	SSC-HT-3036	63	28.6	SSC-ST-3036		
28"	711	40"	1016	70	31.7	SSC-HT-3042	68	30.8	SSC-ST-3042		
28"	711	46"	1168	75	34.0	SSC-HT-3048	73	33.1	SSC-ST-3048		
28"	711	58"	1473	84	38.1	SSC-HT-3060	82	37.2	SSC-ST-3060		
28"	711	64"	1626	91	41.3	SSC-HT-3066	89	40.4	SSC-ST-3066		
28"	711	70"	1778	98	44.4	SSC-HT-3072	96	43.5	SSC-ST-3072		



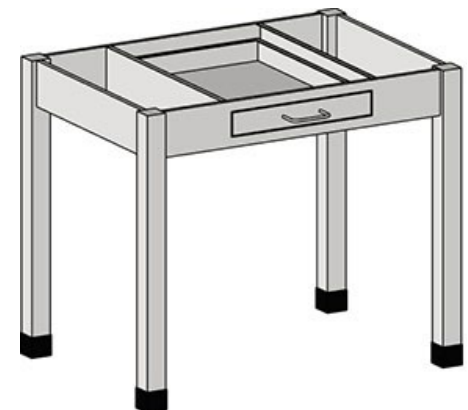
with One Drawer

Download
Spec Sheet
EG03.05B

- FEATURES:**
- Standing and Sitting-Height models available.
 - 22" (559mm) or 28" (712mm) depth.

Freight class is 70.0.

35" Standing Height						29 1/2" Sitting Height					
depth		width		weight		model #	weight		model #		
in	mm	in	mm	lbs.	kg		lbs.	kg			
22"	559	22"	559	50	22.7	SSC-HT1D-2424	48	21.8	SSC-ST1D-2424		
22"	559	28"	711	55	24.9	SSC-HT1D-2430	53	24.0	SSC-ST1D-2430		
22"	559	34"	864	60	27.2	SSC-HT1D-2436	58	26.3	SSC-ST1D-2436		
22"	559	40"	1016	65	29.5	SSC-HT1D-2442	63	28.6	SSC-ST1D-2442		
22"	559	46"	1168	70	31.7	SSC-HT1D-2448	68	30.8	SSC-ST1D-2448		
22"	559	58"	1473	78	35.4	SSC-HT1D-2460	76	34.5	SSC-ST1D-2460		
22"	559	64"	1626	84	38.1	SSC-HT1D-2466	82	37.2	SSC-ST1D-2466		
22"	559	70"	1778	90	40.8	SSC-HT1D-2472	88	39.9	SSC-ST1D-2472		
28"	711	22"	559	55	24.9	SSC-HT1D-3024	53	24.0	SSC-ST1D-3024		
28"	711	28"	711	58	26.3	SSC-HT1D-3030	56	25.4	SSC-ST1D-3030		
28"	711	34"	864	65	29.5	SSC-HT1D-3036	63	28.6	SSC-ST1D-3036		
28"	711	40"	1016	70	31.7	SSC-HT1D-3042	68	30.8	SSC-ST1D-3042		
28"	711	46"	1168	75	34.0	SSC-HT1D-3048	73	33.1	SSC-ST1D-3048		
28"	711	58"	1473	84	38.1	SSC-HT1D-3060	82	37.2	SSC-ST1D-3060		
28"	711	64"	1626	91	41.3	SSC-HT1D-3066	89	40.4	SSC-ST1D-3066		
28"	711	70"	1778	98	44.4	SSC-HT1D-3072	96	43.5	SSC-ST1D-3072		



Consult factory for pricing.

Bench Frames

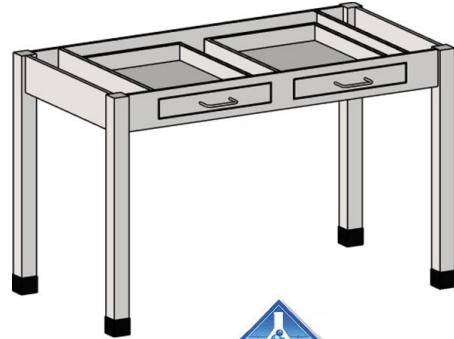
with Two Drawers

Download
Spec Sheet
EG03.05C

- FEATURES:
- Standing and Sitting-Height models available.
 - 22" (559mm) or 28" (712mm) depth.

Freight class is 70.0.

35" Standing Height							29 1/8" Sitting Height				
depth		width		weight		model #	weight		model #		
in	mm	in	mm	lbs.	kg		lbs.	kg			
22"	559	22"	559	50	22.7	SSC-HT2D-2424	48	21.8	SSC-ST2D-2424		
22"	559	28"	711	55	24.9	SSC-HT2D-2430	53	24.0	SSC-ST2D-2430		
22"	559	34"	864	60	27.2	SSC-HT2D-2436	58	26.3	SSC-ST2D-2436		
22"	559	40"	1016	65	29.5	SSC-HT2D-2442	63	28.6	SSC-ST2D-2442		
22"	559	46"	1168	70	31.7	SSC-HT2D-2448	68	30.8	SSC-ST2D-2448		
22"	559	58"	1473	78	35.4	SSC-HT2D-2460	76	34.5	SSC-ST2D-2460		
22"	559	64"	1626	84	38.1	SSC-HT2D-2466	82	37.2	SSC-ST2D-2466		
22"	559	70"	1778	90	40.8	SSC-HT2D-2472	88	39.9	SSC-ST2D-2472		
28"	711	22"	559	55	24.9	SSC-HT2D-3024	53	24.0	SSC-ST2D-3024		
28"	711	28"	711	58	26.3	SSC-HT2D-3030	56	25.4	SSC-ST2D-3030		
28"	711	34"	864	65	29.5	SSC-HT2D-3036	63	28.6	SSC-ST2D-3036		
28"	711	40"	1016	70	31.7	SSC-HT2D-3042	68	30.8	SSC-ST2D-3042		
28"	711	46"	1168	75	34.0	SSC-HT2D-3048	73	33.1	SSC-ST2D-3048		
28"	711	58"	1473	84	38.1	SSC-HT2D-3060	82	37.2	SSC-ST2D-3060		
28"	711	64"	1626	91	41.3	SSC-HT2D-3066	89	40.4	SSC-ST2D-3066		
28"	711	70"	1778	98	44.4	SSC-HT2D-3072	96	43.5	SSC-ST2D-3072		



Consult factory for pricing.

Vertical Storage Cabinets

Download
Spec Sheet
EG04.11

FEATURES:

- Type 304 stainless steel construction.
- Four (4) adjustable intermediate shelves.
- Hinged doors with wire-style pulls.
- Stationary "-SLG" units feature stainless steel legs with 1" (25mm) adjustable bullet feet.
- Mobile "-CPB" units include 4" (102mm)-diameter swivel/brake casters with poly tread.

Freight class is 92.5.



vertical storage cabinet
with flat top



Note: Custom sizes, glass doors, locks, and additional shelves available upon request. Please contact factory for pricing on these options.

with Flat Top								with Sloped Top						
depth		width		stationary/mobile	height		weight		model #	height		weight		model #
in	mm	in.	mm		in.	mm	lbs.	kg		in.	mm	lbs.	kg	
18"	457	36"	914	stationary	72"	1829	416	188.7	SSC-TSC-1836-SLG	77"	1956	419	190.0	SSC-TSCST-1836-SLG
18"	457	48"	1219	stationary	72"	1829	490	222.3	SSC-TSC-1848-SLG	77"	1956	495	224.5	SSC-TSCST-1848-SLG
24"	610	36"	914	stationary	72"	1829	458	207.7	SSC-TSC-2436-SLG	77"	1956	461	209.1	SSC-TSCST-2436-SLG
24"	610	48"	1219	stationary	72"	1829	539	244.5	SSC-TSC-2448-SLG	77"	1956	545	247.2	SSC-TSCST-2448-SLG
18"	457	36"	914	mobile	72"	1829	420	190.5	SSC-TSC-1836-CPB	78"	1981	423	191.9	SSC-TSCST-1836-CPB
18"	457	48"	1219	mobile	72"	1829	494	224.1	SSC-TSC-1848-CPB	78"	1981	499	226.3	SSC-TSCST-1848-CPB
24"	610	36"	914	mobile	72"	1829	462	209.6	SSC-TSC-2436-CPB	78"	1981	465	210.9	SSC-TSCST-2436-CPB
24"	610	48"	1219	mobile	72"	1829	543	246.3	SSC-TSC-2448-CPB	78"	1981	549	249.0	SSC-TSCST-2448-CPB

Consult factory for pricing.

Stainless Steel Countertops



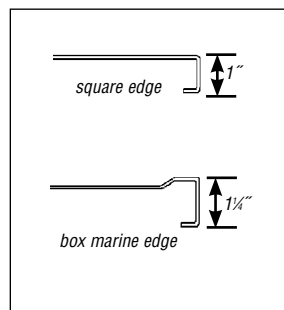
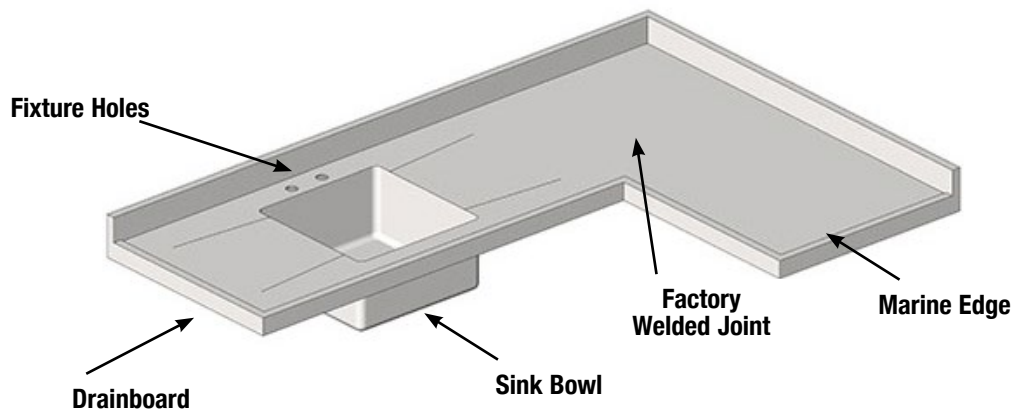
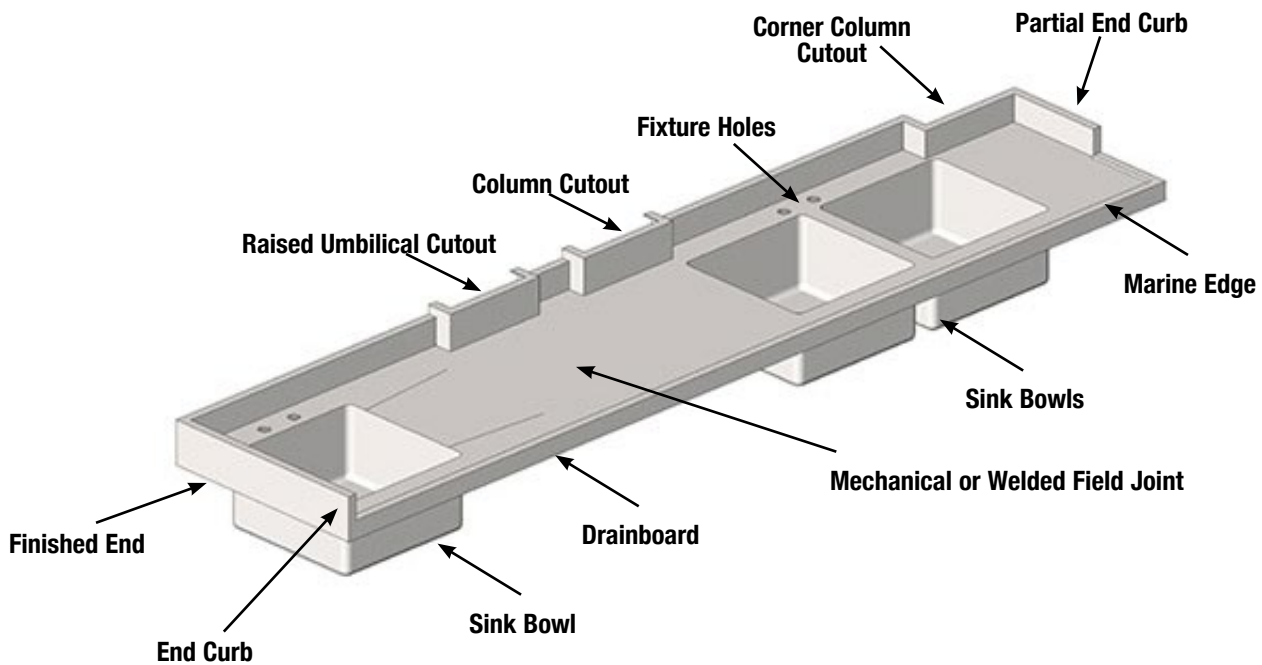
stainless steel countertops fabricated to drawings indicating backsplash height, raised edge and field condition requirements

- 14 or 16 gauge, type 304 or 316 stainless steel. Other gauges and types of stainless available to meet the function and chemical resistant demands of highly specialized labs.
- Standard front edge Square or Box Marine, unless otherwise specified. See *detail 1* on next page.
- Back and end splashes are manufactured per specification. See *details 2 & 3* on next page. All working surfaces and sink bowls have coved sanitary horizontal and vertical corners.
- Either a mechanical hairline seam or field welded joint available per your specifications. Maximum length without seam is 144" if no end splash. Length is reduced by 5½" for each end splash that may be required.
- Fabricated sink bowls available in most any size and depth with single or multiple compartments.
- For backsplash mounted faucets, splash will need to be at least 2" deep for plumbing access, holes for deck mounted faucets are typically centered 1½" from the edge of sink bowl.
- Both L-shaped and U-shaped tops are available per your drawings.
 - Corners are mitered and factory welded.
 - Maximum size without field joint provisions is 96" x 96" to fit into standard trailer for ground shipment.
- Countertops have stainless steel reinforcing hat channels. National Sanitation Foundation (NSF)-listed sprayed latex sound deadening available upon request.
- Standard packaging is wood crated and is included in the cost.

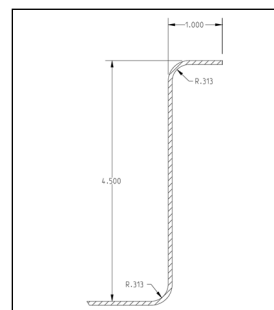


Consult factory for pricing.

Stainless Steel Countertops



detail 1: edges



detail 2:
example of a 4½" backsplash with 90° return
(backsplash built to specification)

NOTE: – Drawings to be submitted for approval prior to fabrication using the latest version of AutoCad software. They will be emailed in Adobe Acrobat format (.pdf) unless specified otherwise. AutoCad files (.dwg) are available upon request.
– Complete field welding and finishing services are available at additional expense.

SpecFAB Custom Capabilities

Custom Equipment Manufactured to Your Specifications!



Manufacturing Capabilities:

- Engineering and design assistance.
- Standard and custom built stainless products.
- Small to large order capacities.
- Designed and built to SEFA standards.
- Quality controlled throughout process.
- In-house equipment capabilities and standard products provide economical solutions.



Eagle's SpecFAB® Division was formed to fill the gap between standard equipment and high-cost "wish-and-wait" highly customized equipment. SpecFAB® provides a way to short-cut the design and fabrication process. Depending on our customer's needs, we can build custom configurations from scratch or we can design pre-fab modular components. Having this flexibility means we can deliver custom equipment faster and at a lower cost.

There's more that separates SpecFAB® from other custom equipment providers – its investment in the most sophisticated manufacturing systems means that each and every custom piece is consistent. We can make multiple pieces with repeat precision.

With SpecFAB®, you get quality custom equipment, built to your specifications and delivered to you fast – at affordable prices. The process begins with our staff of professional designers who analyze your idea, your needs and your budget. We create many of our custom configurations from superior pre-fab modular components. In this way we custom-fit an custom-build equipment while passing along important cost-efficiencies to you.

Design Services for Carts, Work Flow and Room Layout

Shelf-Select™

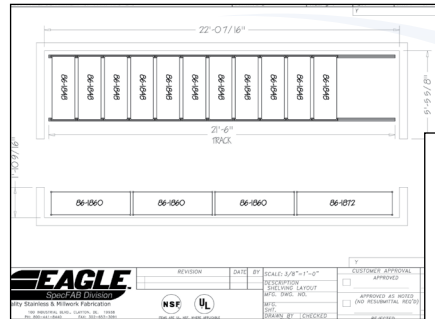
A no-cost design and layout service for wire shelving products.

Provide us with...

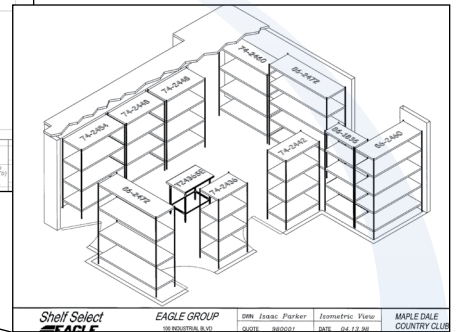
- Dimensions of the space available
- Number of shelves required per unit
- Post heights
- Indicate stationary, mobile or high-density
- Any additional pertinent storage requirements

And we'll provide you with...

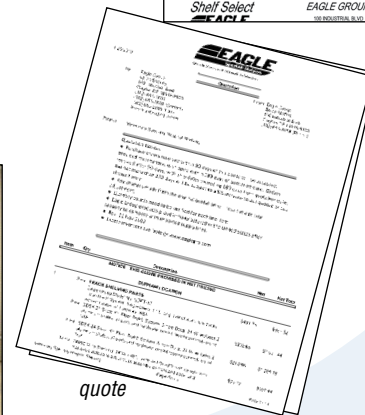
- **Plan View**
Shelving systems layout makes the most efficient utilization of your available space.
- **Perspective View**
Illustrates the proposed equipment assembled in the available space. A great tool for presentation which reduces field assembly time provided to your installer.
- **Quote**
Includes model numbers, net prices and shipping weights for all components in specified job.



plan view



perspective view



quote



Since joining the Revit® community in late 2012, Eagle has been working diligently to create our Revit® content library of catalog items.

You can access Eagle's Revit® library through our website—www.eagle-mhc.com—which features a link on the homepage which takes you directly to our offering in the KCL library.



Contact us...

If you are interested in a model that is not yet available via our website, please contact us via email at: revit@eaglegrp.com

Please include the following information with your request, if applicable:

- Contact information
- Project name
- Requested timeline
- Deliverable media
- Custom or standard (include Model #)
- Plans and/or specifications related
- Special considerations
- Revit version (2014-2017 available)

The Eagle Advantage™ begins right here in our state of the art manufacturing facility – with 14 acres under one roof – where the most comprehensive broadline product offering in the industry takes shape. This all-inclusive design and production capability offers distinct advantages to our customers. Streamlined ordering and shipping substantially reduce freight, receiving, installation and administrative costs.

Supporting it all is a framework of highly responsive customer service representatives, the most innovative, versatile and durable equipment available on the market today, a fleet of company-owned trucks, plus amply stocked distribution centers in strategic locations nationwide - which guarantees product availability and delivery. Together, it adds up to product excellence enhanced by measurable cost savings and value. We call it *The Eagle Advantage™* and you can profit from it.



Cleanroom/Lab Products

Eagle MHC offers a variety of products to serve the needs of the Cleanroom and Lab marketplace. Products include gowning racks and benches, stationary and mobile workstations, cleanroom tables, stainless steel countertops, a variety of transport and storage carts and shelving, and a full line of stainless steel lab sinks, including stand alone and drop in models. Our equipment is engineered to meet “good-better-best” class requirements in critical environments. Custom options are also available to meet your specific requirements.

Eagle MHC is represented across the country by independent representatives that are available to assist you and make the process of doing business with Eagle easy. They are supported by a customer service team that can assist with quotes, order status, freight estimates, and answer any questions that you may have.



Life Science Products

©2020 Eagle Group.

Although every attempt has been made to ensure the accuracy of the data in this publication, we cannot be responsible for printing or typographical errors or omissions.



222 S. Main St. 5th Floor, Salt Lake City, UT 84101
| <https://www.mh-usa.com/> | 800-326-4403



Rev 11/20 EG7024