

# Law Enforcement & Military Storage Solutions

 **Material Handling USA**

**Call Now for a Free  
Quote or Site Visit!**

222 S. Main St. 5th Floor  
Salt Lake City, UT 84101  
800-326-4403  
<https://www.mh-usa.com/>

SUPERSTORE

MH-USA

Material Handling USA

**AURORA**<sup>®</sup>

# Weapons Storage Accessories\*

Designed for:

- Aurora Shelving
- Aurora Mobile
- Side-to-Side
- Times-2 Legal Units

\*Patent Pending



 **Material Handling USA**  
**800-326-4403**  
<https://www.mh-usa.com/>

**AURORA®**

# Weapons Accessories for Shelving

- Shelving Depths: 15" deep units with closed uprights.
- Shelving Widths: 30", 36", 42" and 48"
- Shelving Heights:  
40-1/4", 64-1/4", 76-1/4", 85-1/4", 88-1/4",  
97-1/4", 100-1/4" and 121-1/4"



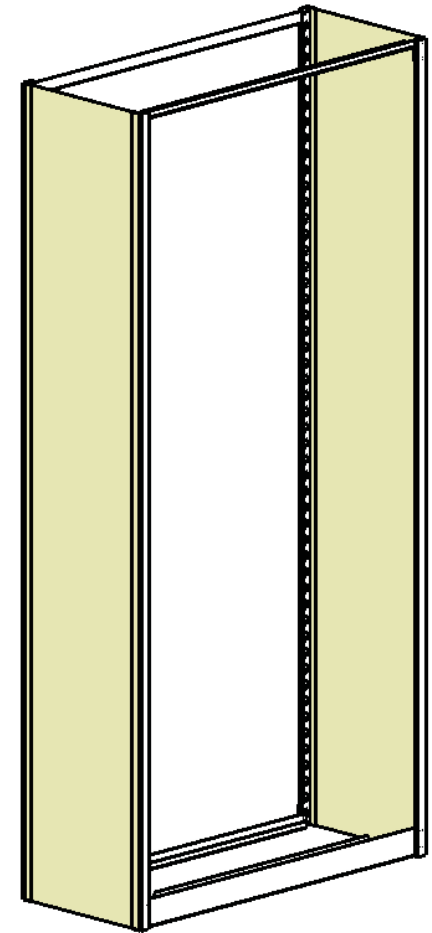
 **Material Handling USA**  
**800-326-4403**  
<https://www.mh-usa.com/>

**AURORA**<sup>®</sup>

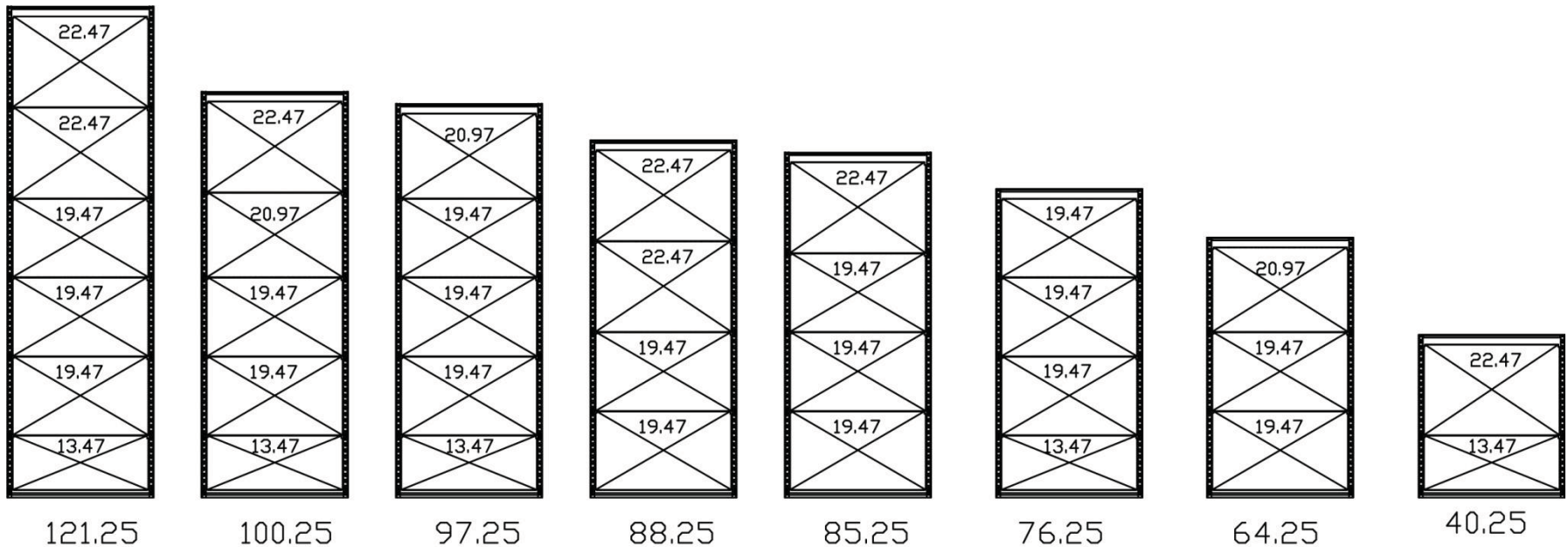
# Shelving Assembly

## 36" x 76-1/4" Starter Unit

- 1576CL00 Uprights (2)
- 3676B00 back (1) (optional)
- 3602QB00 Quik-Base (1)
- 3614SC00 Shelf Support (1)
- 3614TS00 Shelf Supports (2) for the top
- 3615T00 Shelf (1) for the top



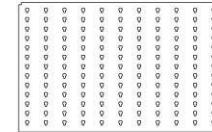
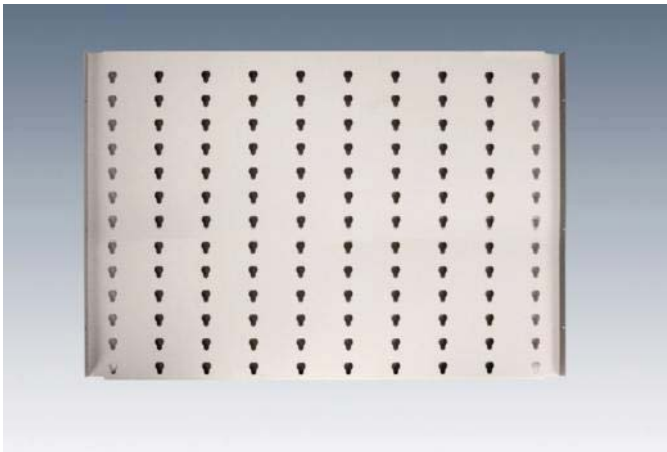
# Shelving Back Panel Chart



- Four standard heights
- Multiple back panels required for each standard height unit.



# Shelving Back Panel Chart



## WEAPON UNIT BACK PANEL

- Four (4) heights and widths
- 16 gauge steel
- Keyhole slots accept brackets and accessories
- Rivets engage into uprights

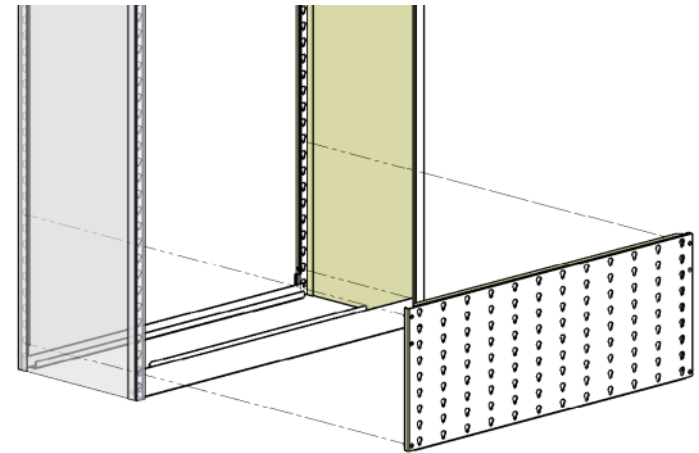
ITEM NUMBER	W x H	WT.
WR30BP13.4700	30" x 13½"	7.8 lbs.
WR30BP19.4700	30" x 19½"	10.8 lbs.
WR30BP20.9700	30" x 21"	11.3 lbs.
WR30BP22.4700	30" x 22½"	12.5 lbs.
WR36BP13.4700	36" x 13½"	9.0 lbs.
WR36BP19.4700	36" x 19½"	13.0 lbs.
WR36BP20.9700	36" x 21"	13.5 lbs.
WR36BP22.4700	36" x 22½"	14.8 lbs.
WR42BP13.4700	42" x 13½"	10.5 lbs.
WR42BP19.4700	42" x 19½"	15.0 lbs.
WR42BP20.9700	42" x 21"	15.8 lbs.
WR42BP22.4700	42" x 22½"	16.5 lbs.
WR48BP13.4700	48" x 13½"	12.3 lbs.
WR48BP19.4700	48" x 19½"	17.3 lbs.
WR48BP20.9700	48" x 21"	18.0 lbs.
WR48BP22.4700	48" x 22½"	19.5 lbs.

- Four standard heights
- Multiple back panels required for each standard height unit.

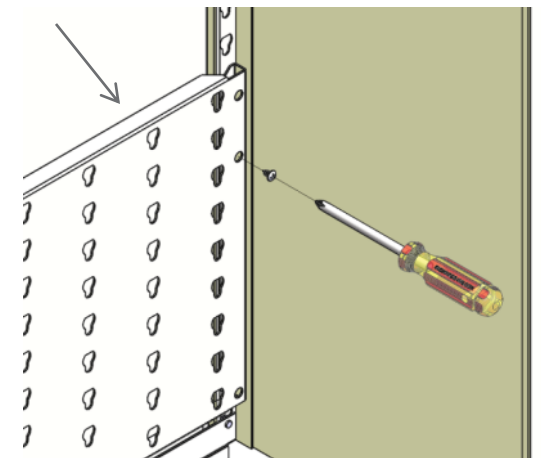


# Installing Back Panels in Shelving

- Back panels have rivets that attach to the keyhole slots in the upright posts.
- Back panels have keyhole slots on 1-1/2" centers and are 3" apart.

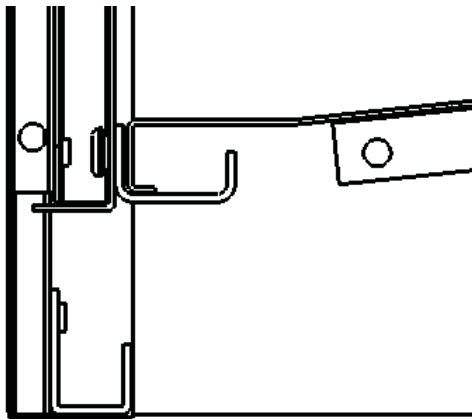
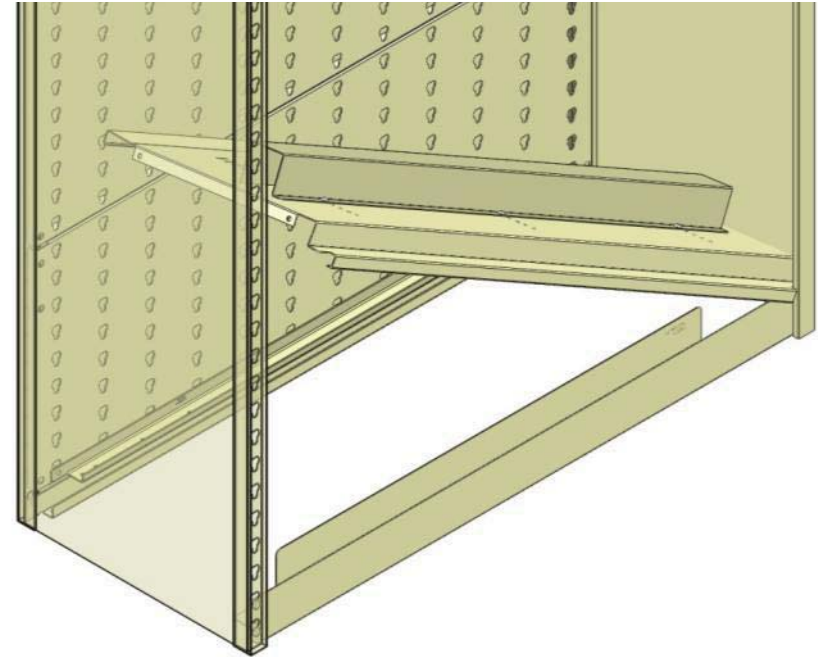


1-1/2" Centers, 3" Apart



# Installing Sloped Bottom Shelf

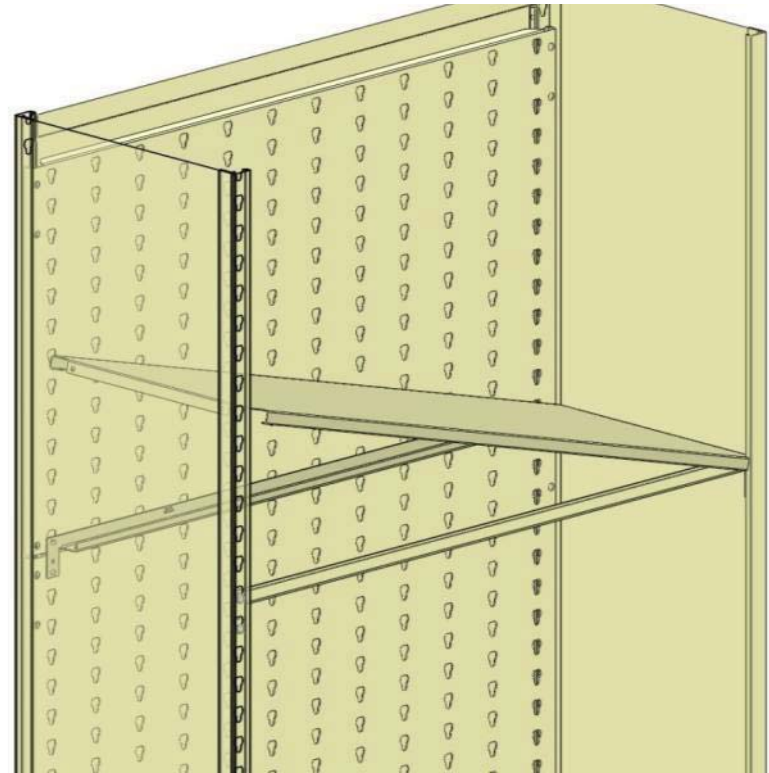
- WR3414TSC00 (1)  
Special Shelf Support
- WR3615BS00 (1)  
Sloped Bottom Shelf
- WR36BSS00 (1)  
Sloped Bottom Shelf Stop





# Installing Intermediate Shelf

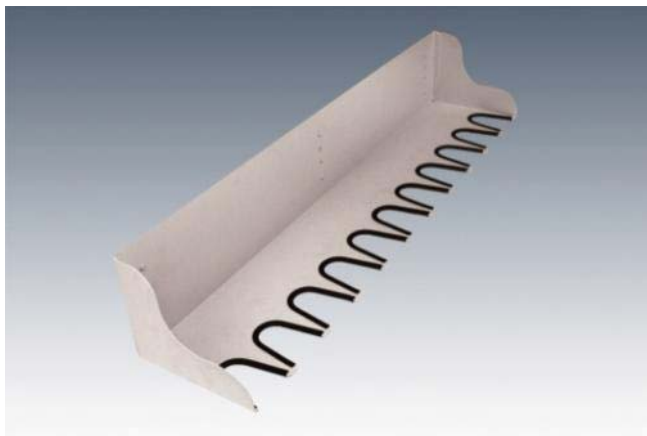
- 3614TS00 (1)  
Shelf Support
- WR3414TS00 (1)  
Special Shelf Support
- WR3614T00 (1)  
Special Thin Shelf



# Rifle & Long Gun Accessories



Barrel Saddle



Stock Saddle

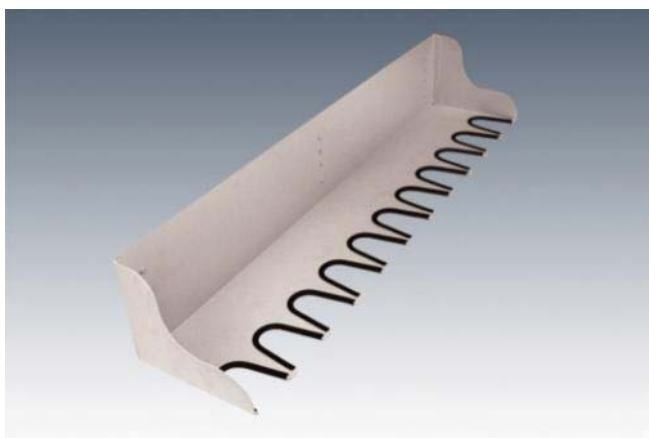
- Secures long gun stocks.
- Used with a corresponding barrel holder.
- Available to secure 1, 4, 5, 6, 7, 8, 10, or 11 long guns.
- Manufactured from 16 GA powder coated steel.
- All surfaces contacting weapons are covered with a high-density neoprene rubber.
- Attachment is the Aurora exclusive rivet Quik-Lok™ into the corresponding Universal Back Panel with a provision for optional screw retention.



# Rifle & Long Gun Accessories



Barrel Saddle



Stock Saddle



## 5 1/2" BARREL SADDLE

- Holds top of Rifle
- Used with Stock Saddles
- 16 gauge steel with black rubber edging

ITEM NUMBER	D x H x L	CAPACITY	WT.
WR1RBS500	5 1/2" x 6" x 3"	1	1.0 lbs.
WR4RBS500	5 1/2" x 6" x 12"	4	2.8 lbs.
WR5RBS500	5 1/2" x 6" x 15"	5	3.3 lbs.
WR6RBS500	5 1/2" x 6" x 18"	6	3.8 lbs.
WR7RBS500	5 1/2" x 6" x 21"	7	4.3 lbs.
WR8RBS500	5 1/2" x 6" x 24"	8	4.8 lbs.
WR11RBS500	5 1/2" x 6" x 33"	11	6.5 lbs.



## 7" BARREL SADDLE

- Holds top of Rifle
- Used with Stock Saddles
- 16 gauge steel with black rubber edging

ITEM NUMBER	D x H x L	CAPACITY	WT.
WR1RBS700	7" x 6" x 3"	1	1.5 lbs.
WR4RBS700	7" x 6" x 12"	4	3.5 lbs.
WR5RBS700	7" x 6" x 15"	5	4.3 lbs.
WR6RBS700	7" x 6" x 18"	6	5.0 lbs.
WR7RBS700	7" x 6" x 21"	7	5.8 lbs.
WR8RBS700	7" x 6" x 24"	8	6.5 lbs.
WR11RBS700	7" x 6" x 33"	11	8.0 lbs.



## STOCK SADDLE

- Holds bottom of Rifle
- Used with Barrel Saddles
- 16 gauge steel with black rubber edging

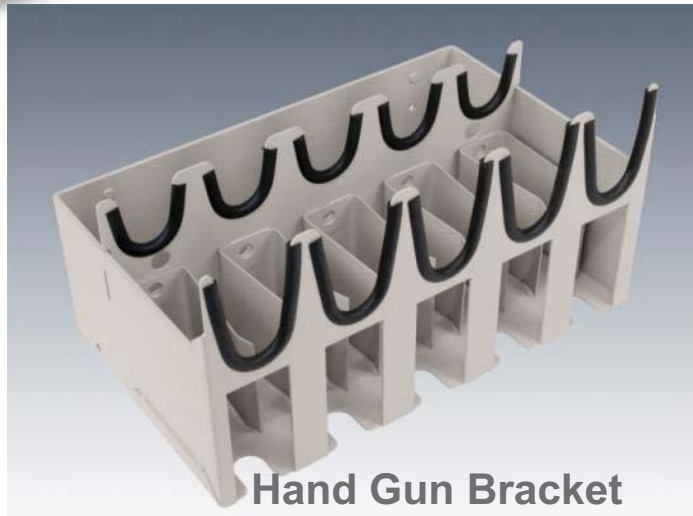
ITEM NUMBER	D x H x L	CAPACITY	WT.
WR1RSS00	7" x 6" x 3"	1	2.3 lbs.
WR4RSS00	7" x 6" x 12"	4	4.0 lbs.
WR5RSS00	7" x 6" x 15"	5	4.5 lbs.
WR6RSS00	7" x 6" x 18"	6	5.0 lbs.
WR7RSS00	7" x 6" x 21"	7	5.6 lbs.
WR8RSS00	7" x 6" x 24"	8	6.0 lbs.
WR11RSS00	7" x 6" x 33"	11	7.8 lbs.



Barrel Saddle  
Single Capacity



# Hand Gun Brackets



Hand Gun Bracket  
With Clip Compartment



Hand Gun Bracket



## HAND GUN BRACKET WITH CLIP COMPARTMENT

- Bracket back, 11 gauge steel
- Gun saddle, 16 gauge steel, black rubber edging

ITEM NUMBER	D x H x L	CAPACITY	WT.
WR1PWC00	7 1/4" x 6 1/2" x 3"	1	3.5 lbs.
WR5PWC00	7 1/4" x 6 1/2" x 12"	5	7.8 lbs.
WR6PWC00	7 1/4" x 6 1/2" x 15"	6	8.8 lbs.
WR7PWC00	7 1/4" x 6 1/2" x 17 1/2"	7	10.0 lbs.
WR8PWC00	7 1/4" x 6 1/2" x 20"	8	11.3 lbs.
WR9PWC00	7 1/4" x 6 1/2" x 22 1/2"	9	12.3 lbs.

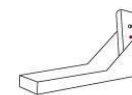


## HAND GUN BRACKET WITHOUT CLIP COMPARTMENT

- Bracket back, 11 gauge steel
- Gun saddle, 16 gauge steel, black rubber edging

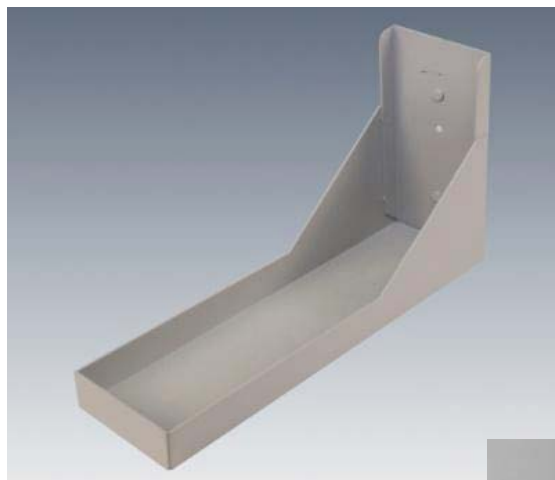
ITEM NUMBER	D x H x L	CAPACITY	WT.
WR1P00	7 1/4" x 4 1/4" x 3"	1	2.3 lbs.
WR5P00	7 1/4" x 4 1/4" x 12"	5	4.5 lbs.
WR6P00	7 1/4" x 4 1/4" x 15"	6	5.3 lbs.
WR7P00	7 1/4" x 4 1/4" x 17 1/2"	7	5.8 lbs.
WR8P00	7 1/4" x 4 1/4" x 20"	8	6.5 lbs.
WR9P00	7 1/4" x 4 1/4" x 22 1/2"	9	7.3 lbs.

# Long Gun Stock Sloped Shelf



## STOCK SLOPED SHELF

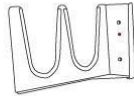
- Holds bottom of all types of large weapon
- 16 gauge steel



ITEM NUMBER	D x H x L	CAPACITY	WT.
WR1RSSHF00	11" x 6" x 3"	1	1.8 lbs.
WR4RSSHF00	11" x 6" x 12"	4	4.5 lbs.
WR5RSSHF00	11" x 6" x 15"	5	5.5 lbs.
WR6RSSHF00	11" x 6" x 18"	6	6.5 lbs.
WR7RSSHF00	11" x 6" x 21"	7	7.5 lbs.
WR8RSSHF00	11" x 6" x 24"	8	8.5 lbs.
WR11RSSHF00	11" x 6" x 33"	11	10.8 lbs.



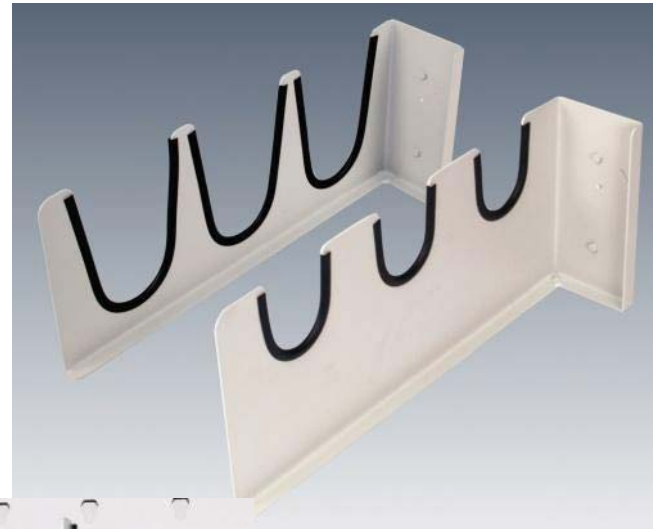
# Horizontal Brackets



## HORIZONTAL BRACKET

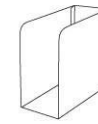
- Holds weapon horizontally
- Two brackets per set
- 16 gauge steel, with black rubber edging
- Two (2) or three (3) weapon capacities

ITEM NUMBER	D	CAPACITY	WT.
WR2RHB00	9½"	2	2.3 lbs.
WR3RHB00	13½"	3	3.3 lbs.



**AURORA**<sup>®</sup>

# Steel Storage Box



## STEEL STORAGE BOX

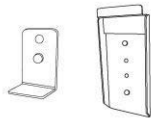
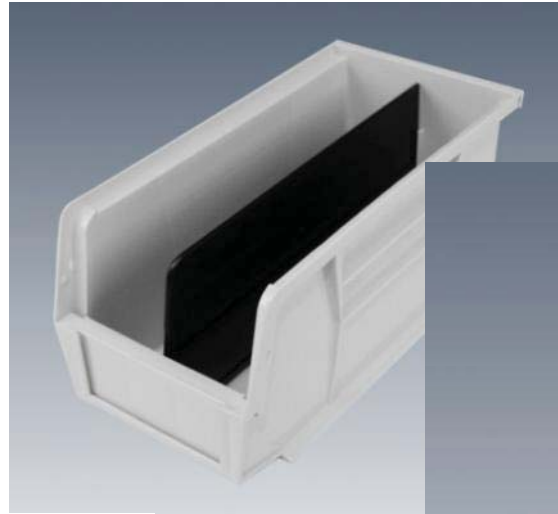
- 16 gauge steel
- Ammunition and general storage

ITEM NUMBER	W x H x D	WT.
WRSB300	3" x 7.5" x 6"	2.3 lbs.
WRSB600	6" x 7.5" x 6"	3.0 lbs.

 **Material Handling USA**  
**800-326-4403**  
<https://www.mh-usa.com/>



# Specialty Accessories



## PLASTIC TOTE ACCESSORY

- Brackets and Clips, 16 gauge steel
- Formed to accept plastic totes (from others)
- Totes mounted on brackets with integrated clips (1" x 1")
- Clip secures tote to unit

ITEM NUMBER	DESCRIPTION	WT.
WRTB00	Tote Bracket	.5 lbs.
WRTC00	Tote Clip	.3 lbs.

**AURORA**<sup>®</sup>

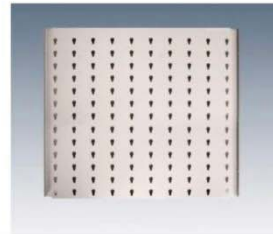


# Shelving Rifle Capacity

Keyhole Columns

Shelving/Mobile  
Shelving

Horizontal Rifle Capacity

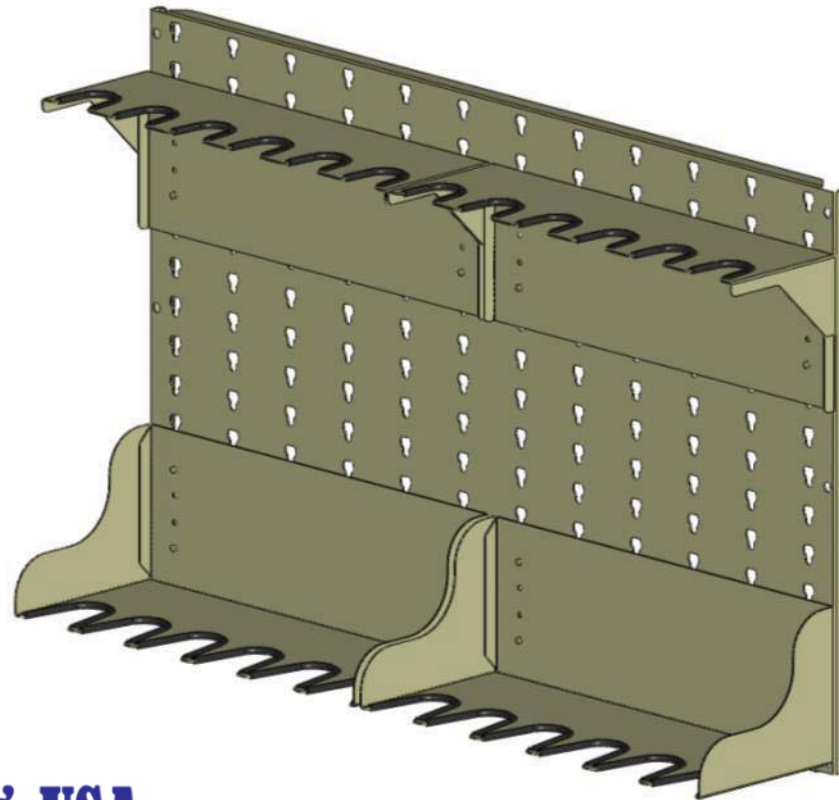


	Back Panel Number of Keyhole Columns	Rifle Capacity	Barrel Holders* Required	Stock Saddles* Required	Capacity of Holders & Saddles
24" Wide Shelving	8 Columns	8	1	1	8
30" Wide Shelving	10 Columns	10	2	2	5
36" Wide Shelving	12 Columns	12	2	2	6
42" Wide Shelving	14 Columns	14	2	2	7
48" Wide Shelving	16 Columns	16	2	2	2

\*Barrel Holders and Stock Saddles come in multiple capacities.

# 36" Wide Shelving Back Panel

- WR6RBS500 (2)  
Barrel Saddle
- WR6RSS00 (2)  
Stock Saddle



 **Material Handling USA**  
**800-326-4403**  
<https://www.mh-usa.com/>

**AURORA**<sup>®</sup>

# Shelving Handgun Capacity

## Horizontal Handgun Capacity

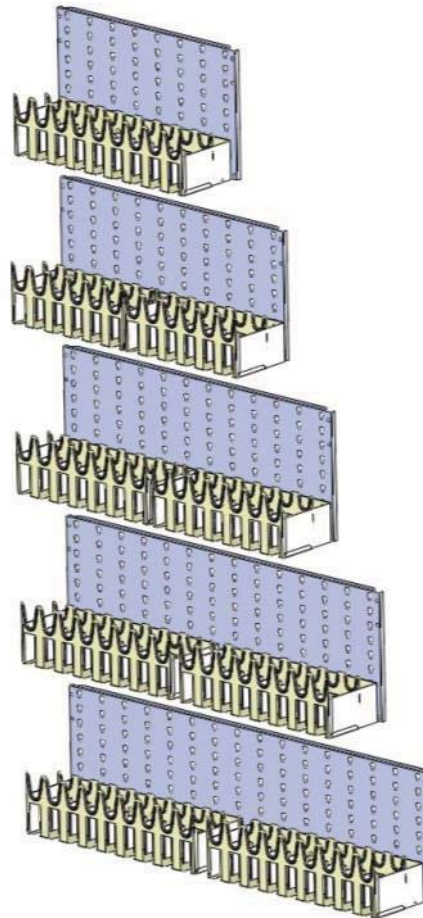
	<b>Back Panel Number of Keyhole Columns</b>	<b>Handgun Capacity</b>	<b>Brackets* Required</b>	<b>Capacity of Bracket</b>
24" Wide Shelving	8 Columns	9	1	9
30" Wide Shelving	10 Columns	12	2	6
36" Wide Shelving	12 Columns	14	2	7
42" Wide Shelving	14 Columns	16	2	8
48" Wide Shelving	16 Columns	18	2	9

\*Handgun Brackets come in multiple capacities



# Handgun Brackets with Clip Compartment

- WR9PWC00 (1)
- WR6PWC00 (2)
- WR7PWC00 (2)
- WR8PWC00 (2)
- WR9PWC00 (2)



24" Shelving

30" Shelving

36" Shelving

42" Shelving

48" Shelving

# Vertical Clearance

## Vertical Clearance Requirements

Accessory	Height	Vertical Keyholes Used
Handgun Bracket	4"***	5
Handgun Bracket with Clip Compartment	6"***	6
<p>**It is recommended that 2" of clearance be allowed at the top of the handgun bracket for adequate room to store and remove weapons.</p>		
Barrel Saddle Bracket	6"	5
Sloped Shelf	2"	3
Optional Shelf Stop	2"	3

# Capacity Examples



**Example 1:** Shelving, 48" Wide x 97-1/4" High  
Weapon: M-16 rifle with 40" barrel  
Capacity: 32 rifles (2 Rows of 16)



**Example 2:** Shelving, 48" Wide x 76-1/4" High  
Weapons: M-16 rifle with 40" barrel and 9 mm Handgun  
Capacity: 16 rifles and 72 Handguns