

AMS

AIR MASTER SYSTEMS

Solution Series Fume Hoods

product brochure



 **Material Handling USA**
800-326-4403
<https://www.mh-usa.com/>



Solution Series Fume Hoods

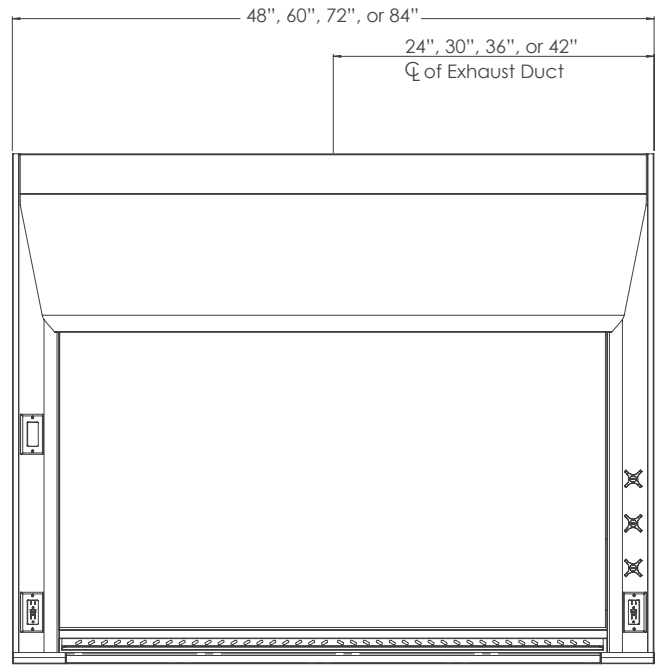


The Solution Hood was designed to handle a multitude of applications. Its streamlined posts and radiused airfoil, along with a 36-inch high viewing area, offer a softer look than conventional fume hoods. The hood passed NIH, EPA and ASHRAE 110 testing by a third party at 100 FPM and 60 FPM full open and at 18 inches. The hood can be used in both CV and VAV designs.

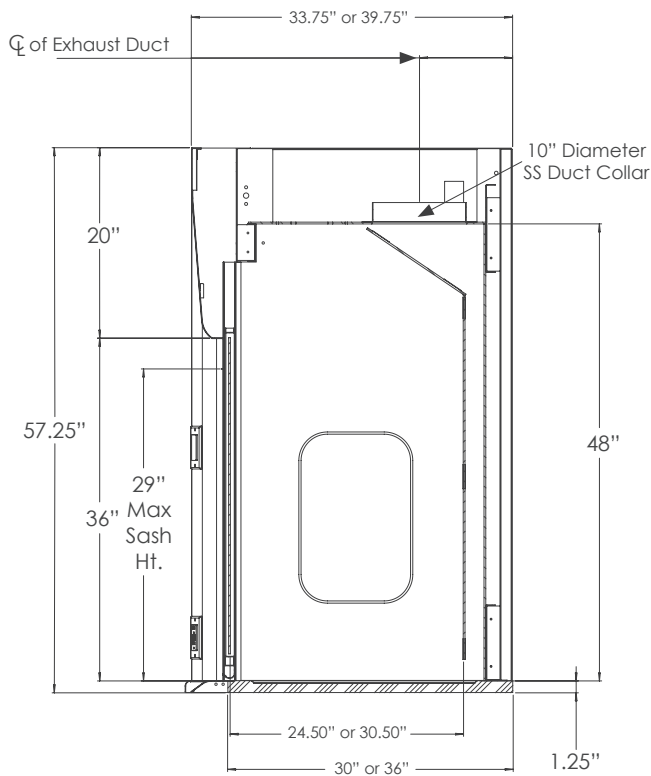


Standard Configurations

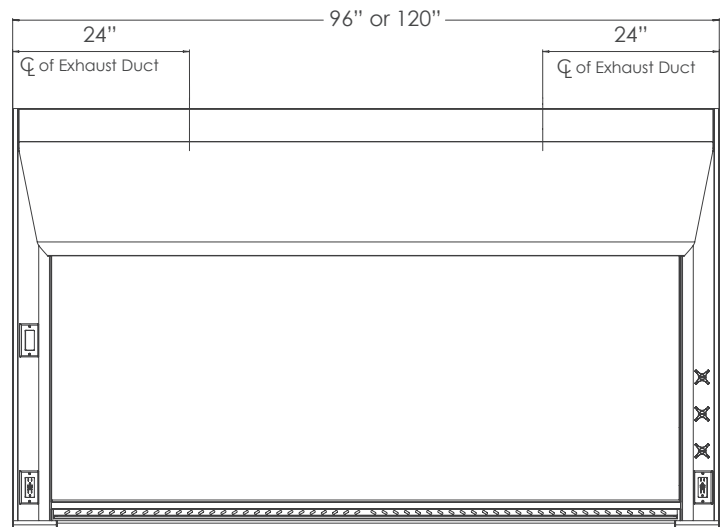
- Designed for CV or VAV HVAC systems
- Optimal interior working depth
- Chain and sprocket shaft drive sash
- 10" Round SS Duct Collar(s)
- Full Frame Construction
- Powder Coated Finish
- UL1805 Listed
- Flush mount airfoil 60-100 FPM
- LED Lights 36" High Sightline
- Full-length finger lift Frameless Sash
- Knock down ready



Solution Hood 48" - 72" Front View



Solution Hood Side View



Solution Hood 96" Front View

*** Rectangular to 12" round transition available**

Technical Data

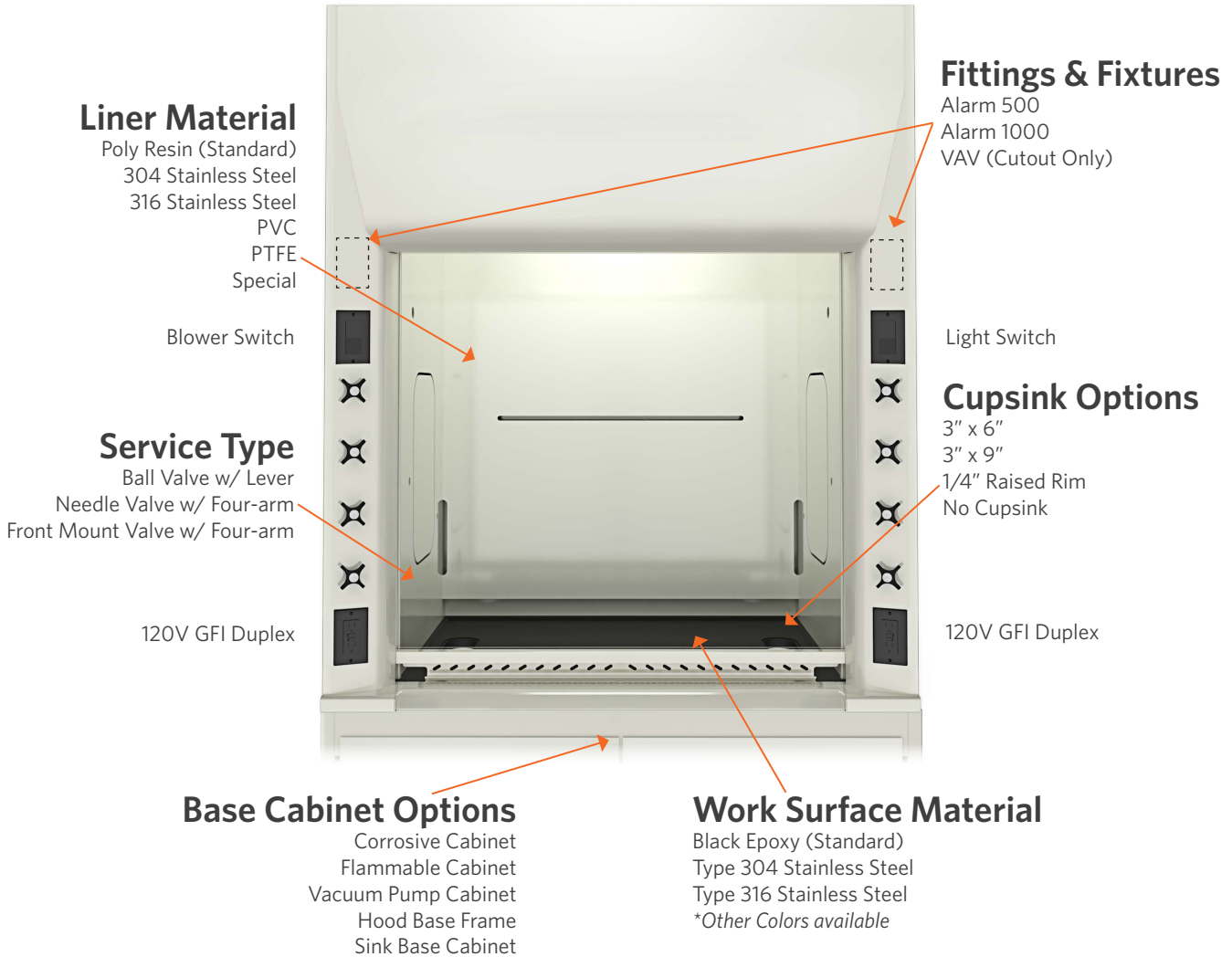
Solution Fume Hoods come in a variety of options and sizes. Check with your local representative for all of the different available options to fit your needs.

Part Number*	18" Sash Height		28" Sash Height	
	CFM @ 100 FPM / Static Pressure	CFM @ 60 FPM / Static Pressure	CFM @ 100 FPM / Static Pressure	CFM @ 60 FPM / Static Pressure
Solution-48	475 / 0.10	285 / 0.04	739 / 0.26	433 / 0.09
Solution-60	625 / 0.12	375 / 0.05	972 / 0.32	583 / 0.12
Solution-72	775 / 0.16	465 / 0.06	1206 / 0.41	723 / 0.15
Solution-84	925 / 0.20	555 / 0.07	1438 / 0.50	863 / 0.18
Solution-96	1075 / 0.11	645 / 0.04	1672 / 0.29	1003 / 0.10
Solution-120	1375 / 0.17	825 / 0.06	2138 / 0.43	1283 / 0.16

The Solution Ducted Hood is a functional and stylish fume hood designed to fit a multitude of laboratory applications. The streamlined posts and radiused airfoil, along with a 36-inch high viewing area offers a softer look than conventional fume hoods. This hood is applicable in both CV and VAV designs. All hood services are offered on the outsides of the hood, providing a safer work environment for any project.



Standard Accessories



*** Many other options available. Please contact AMS for specific applications**

Solution Work Station Fume Hoods

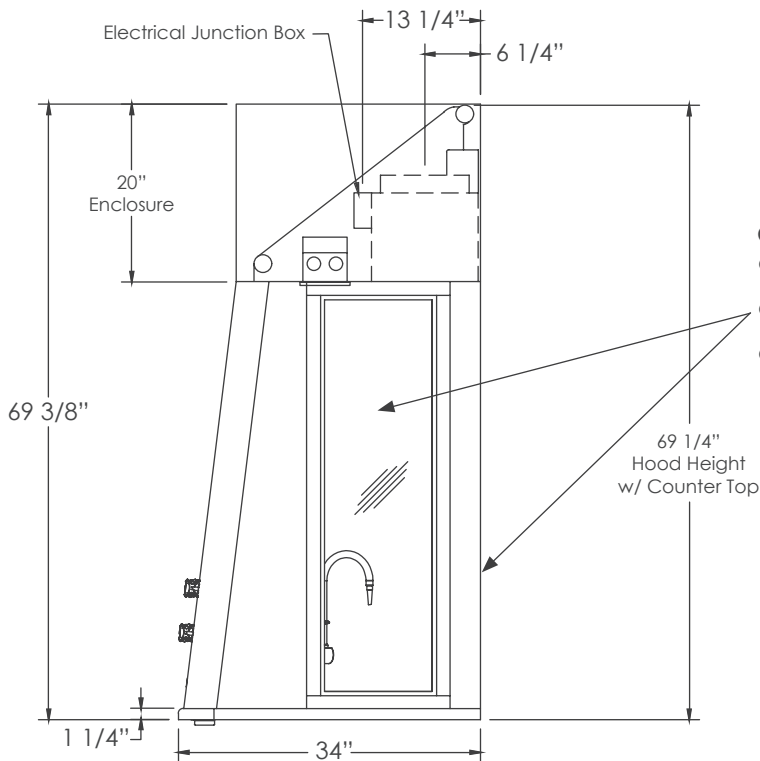
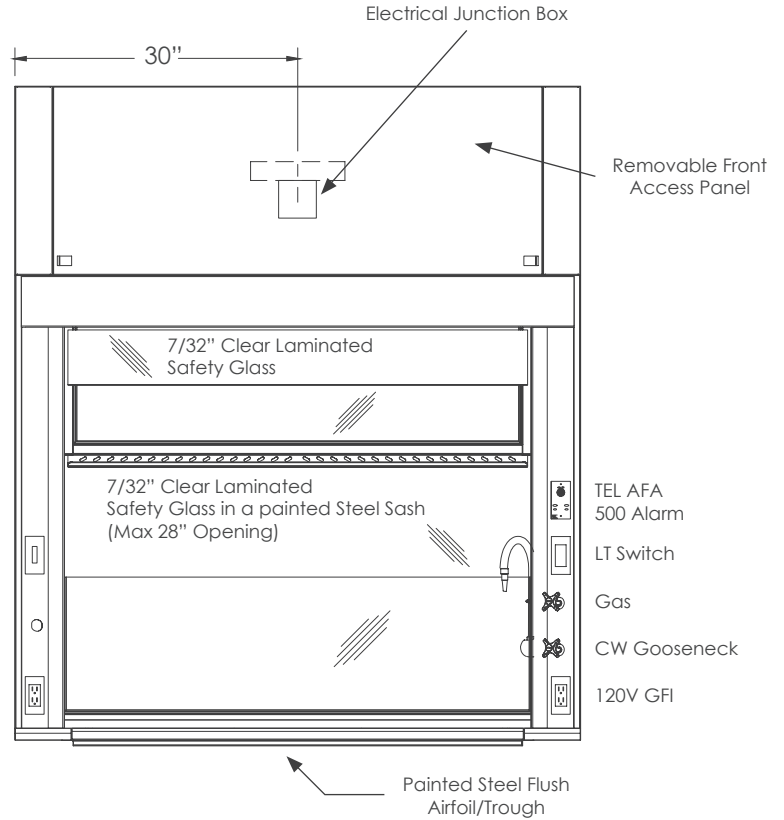


The Solution Work Station was designed to allow 360 degree viewing for undergraduate teaching labs. The SWS maximizes ambient light throughout the hood for optimal demonstration and ease of access. All plumbing fixtures are front loaded valves and are within arms reach for a safer environment. In addition, this hood has the flexibility necessary to allow back-to-back or side-by-side configurations if necessary.



Standard Configurations

- Full Frame Construction
- Chain & Sprocket Shaft Drive Sash
- UL1805 Listed
- Flush Mount Airfoil
- LED Lights
- Full Frame Construction
- Powder Coated Finish
- Optimal Interior Work Depths
- Knock Down



Glass Options:

- Option 1:** 7/32" Clear Laminated Safety Glass Rear Panel
- Option 2:** Powder Coated Steel Rear Panel
- Option 3:** Polyresin UL Listed (White) Rear Panel

Technical Data

The Solution Work Station (SWS) is a bench mounted, ducted fume hood designed to allow 360 degree viewing. The 7/32 clear, laminated safety glass side panels protects students and on-lookers while giving them a clear view of the processes inside. Also included are two LED bulbs to make sure your experiments are clearly illuminated for all to see.

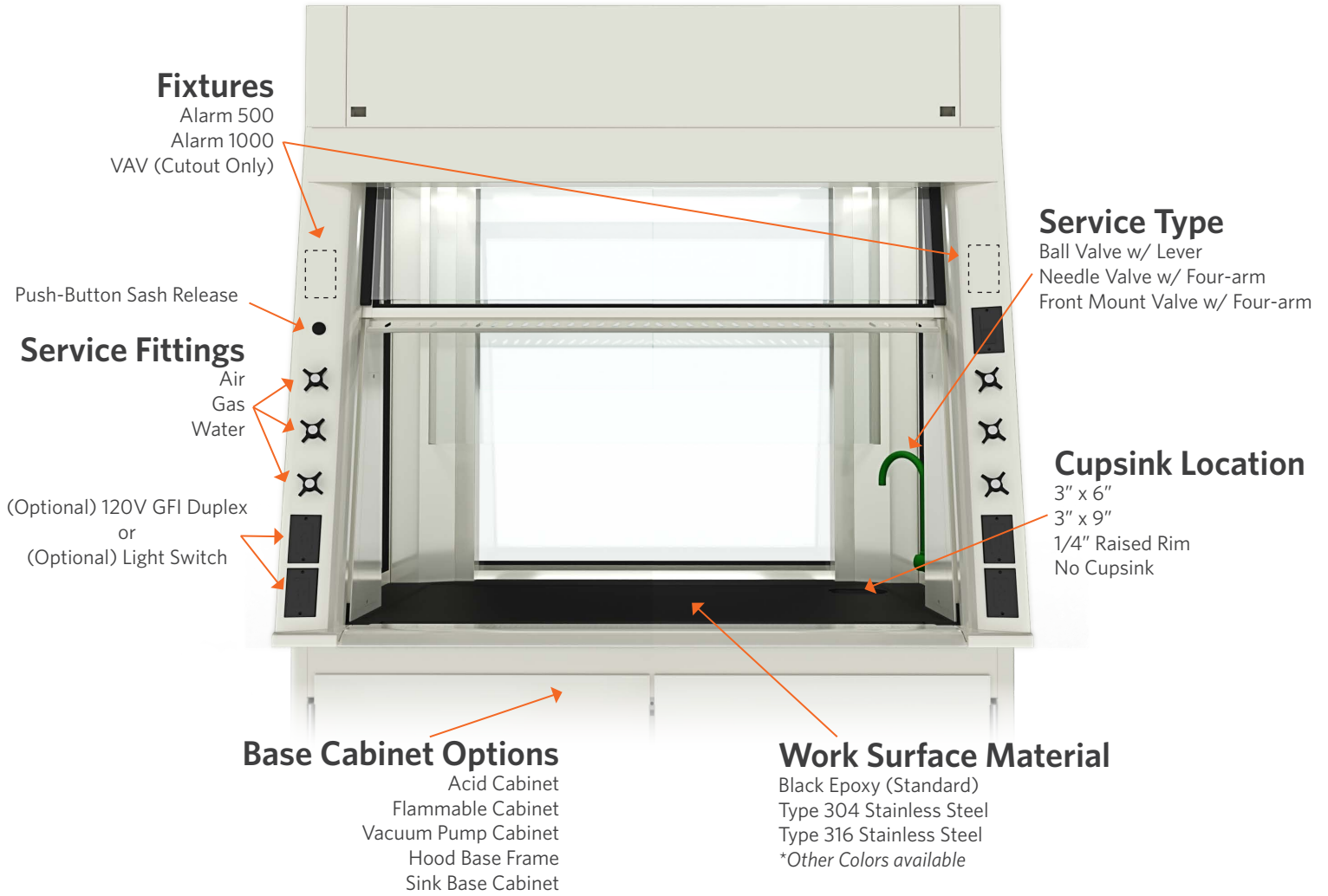
Part Number*	18" Sash Height		28" Sash Height	
	CFM @ 100 FPM / Static Pressure	CFM @ 60 FPM / Static Pressure	CFM @ 100 FPM / Static Pressure	CFM @ 60 FPM / Static Pressure
SWS-48	475 / 0.09	285 / 0.03	770 / 0.24	433 / 0.07
SWS-60	625 / 0.11	375 / 0.04	1000 / 0.30	583 / 0.10
SWS-72	775 / 0.15	465 / 0.05	1250 / 0.39	723 / 0.13
SWS-96	1075 / 0.10	645 / 0.03	1730 / 0.27	1003 / 0.80

The SWS fume hood has a 37.5" hood opening for the taller equipment that might need to be placed in the hood.

Front load valves and outlets within arms' reach are standard so no need to put your head inside the hood to access plumbing fixtures.



Standard Accessories



*** Many other options available. Please contact AMS for specific applications**

Color Chart

These reproductions of the standard colors may vary from actual finished products. If color match is critical, actual samples on metal can be supplied upon request. Special match colors can be supplied when specified. Please contact the Air Master Systems Corporate Office for pricing information.



Off White



Champagne



Light Almond



Model Gray



Fawn Beige



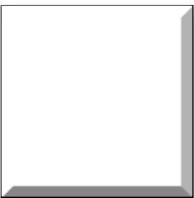
Stone Gray



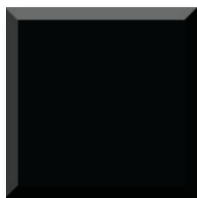
Pewter



Banker's Gray



Petal White



Black



Hunter Green



Burgundy



Medium Blue



Wedgewood Blue



 **Material Handling USA**
800-326-4403
<https://www.mh-usa.com/>

 **Material Handling USA**

**Call Now for a Free
Quote or Site Visit!**

222 S. Main St. 5th Floor
Salt Lake City, UT 84101

800-326-4403
<https://www.mh-usa.com/>

SUPERSTORE

MH-USA

Material Handling USA