

### ***Fume Hood Installation Information***

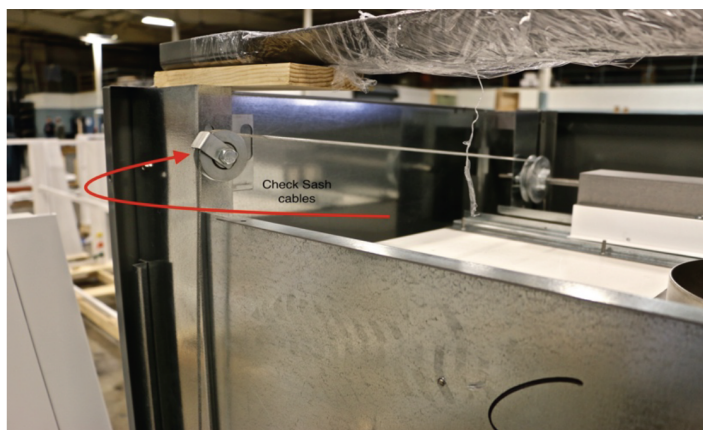
#### Installation Instructions – Airfoil Style Hoods EH series 100, 500 and HP

To prevent damage and insure a properly installed Fume Hood, please follow the simple instructions below to unpack and install the Fume Hood.

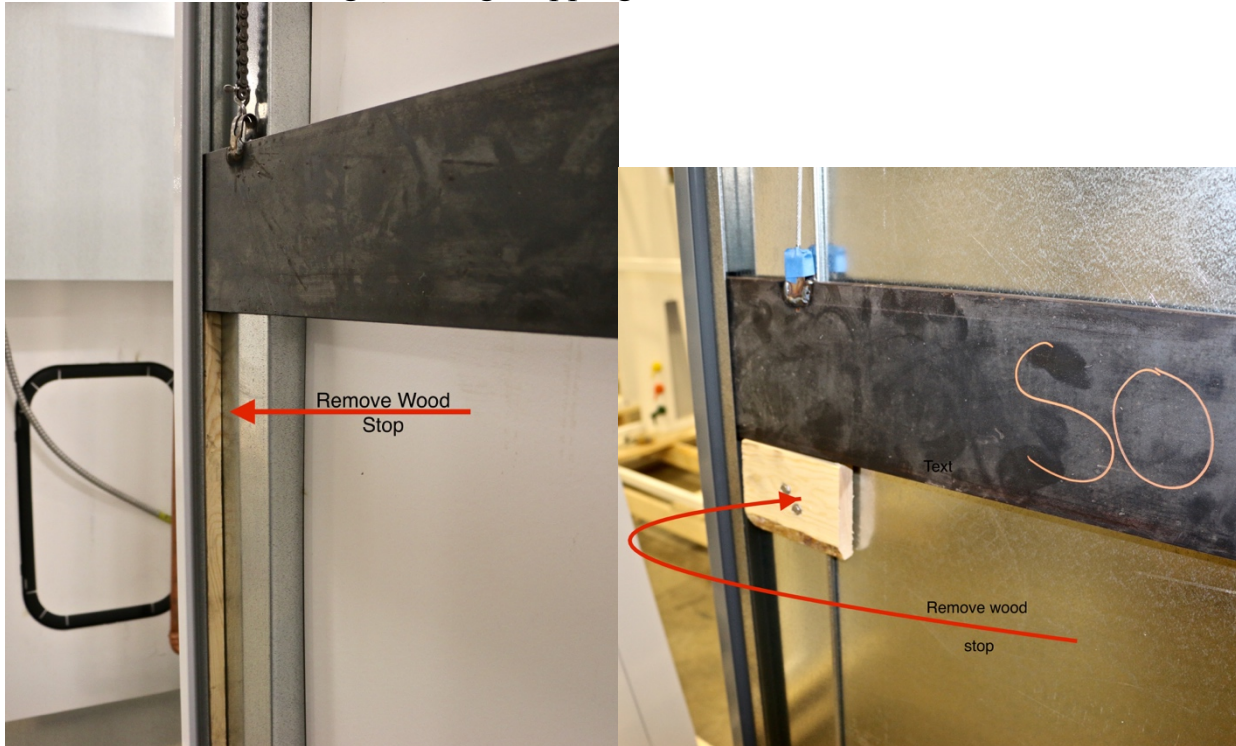
1. Un-wrap the Fume Hood.
2. Remove airfoil from the top of the Hood. **DO NOT DISCARD.** The airfoil will be installed in step 8.



3. In the rear of the Fume Hood, check that the sash cables are on the pulleys and that the cable keepers are in place.



4. Remove the wood cleats in the weight guides that support the sash counterbalance weight during shipping.



5. Remove 2 screws from the back frame where the Fume Hood is attached to the skid.



6. In the front of the hood, remove one galvanized shipping clip from each side of the sash opening. The clips will be used in step 9.



7. Lift the Fume Hood onto the countertop. The front should overhang the countertop 4" to 4 ½" to allow enough clearance to easily align and install the air foil.
8. Secure the air foil to the underside of the post with the 8 screws provided. Then slide the hood back until the air foil contacts the countertop.
9. Using the shipping clips removed in step 6 secure the fume hood to the epoxy top.



Secure one side of the hood to countertop through the interior access panel. Then secure the other side. This will help insure that the hood is square and plumb, however, double check for square by measuring from corner to corner.



10. Remove the blue shipping tape from the inside of the fume hood sash and remove the black protective shipping tabs.

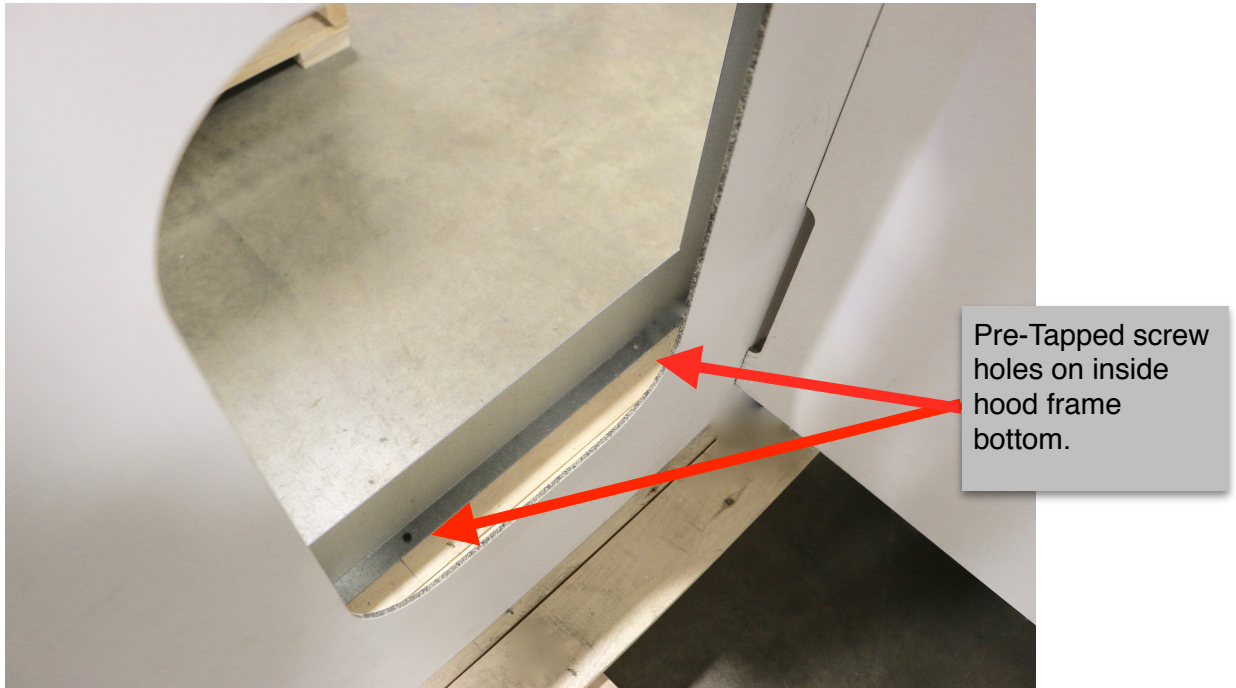
If the hood is not set in place squarely the fume hood sash will not operate properly.



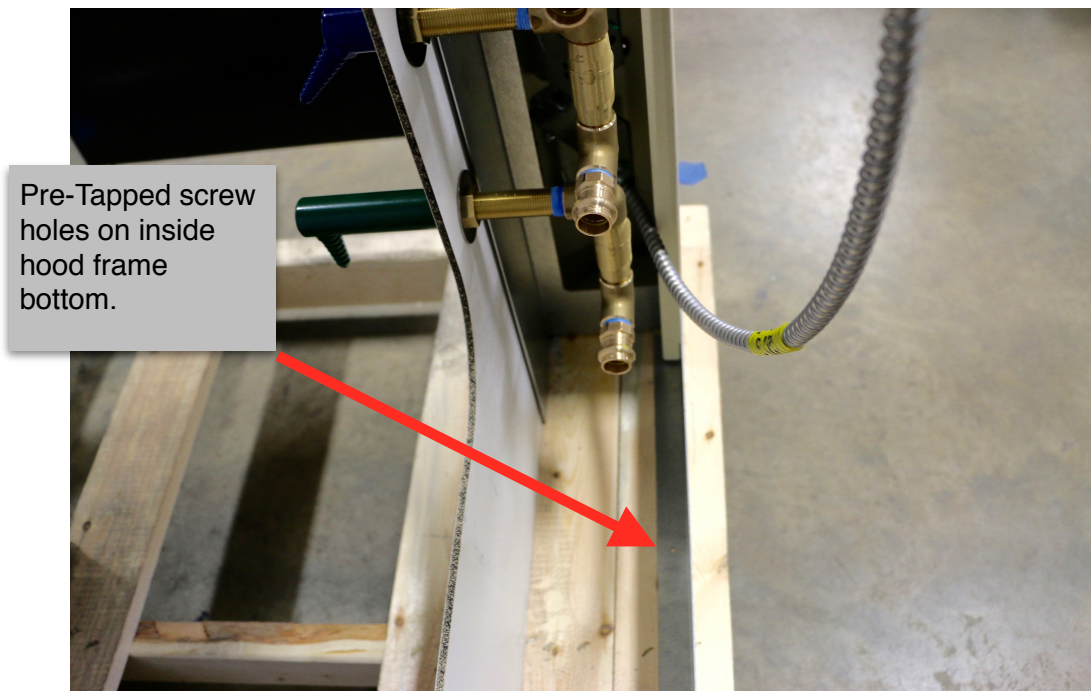


## Securing the hood base to the counter top option:

1. Remove the access panel on the inside of the hood.
2. There are two pre-tapped holes where the hood is secured to the transport crate with wood screws.



3. Choose the appropriate size and make of screw to secure hood to the counter top you have chosen. Screw sizes and models will differ for the variety of surfaces.

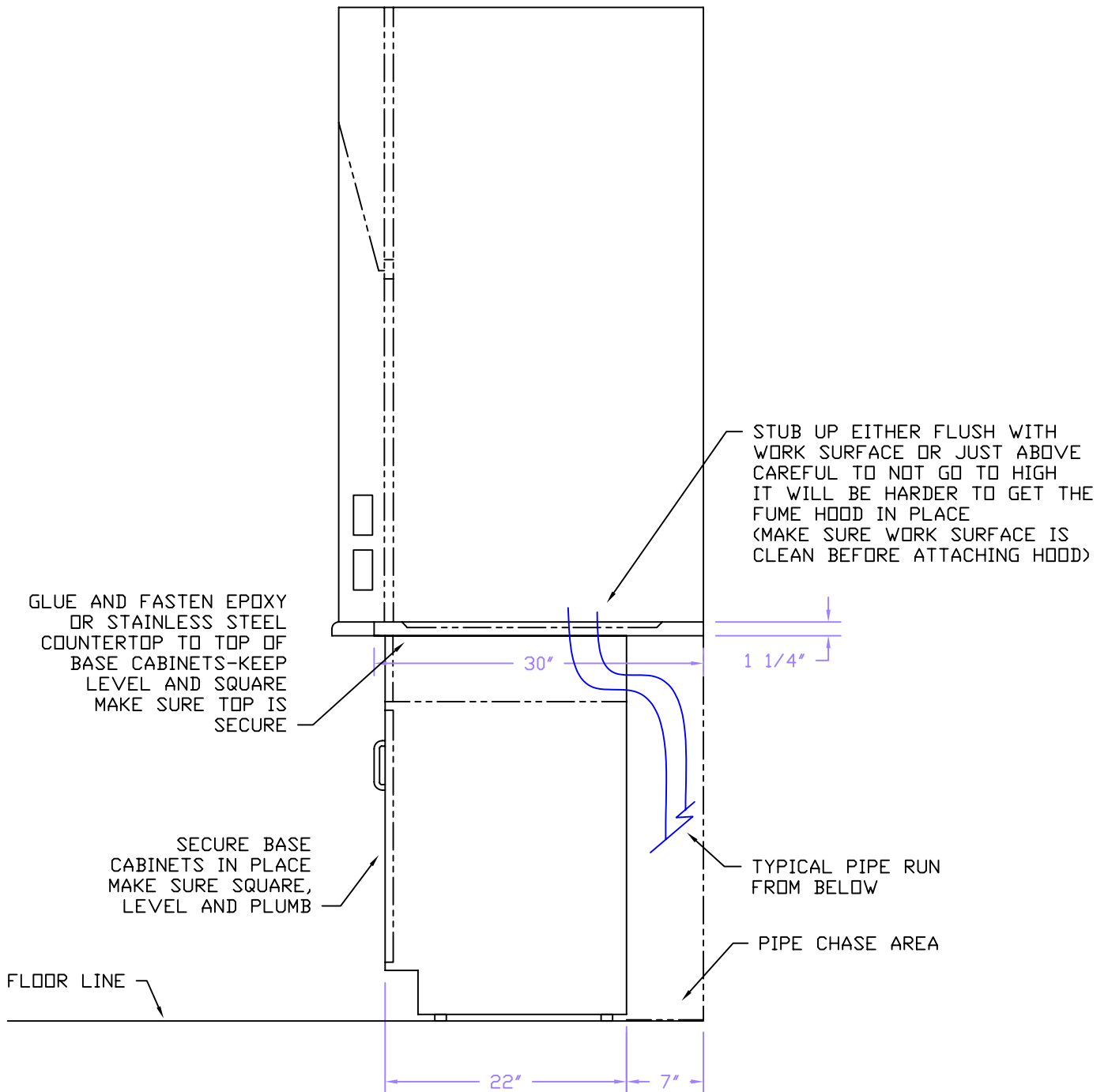


**STEP 1**

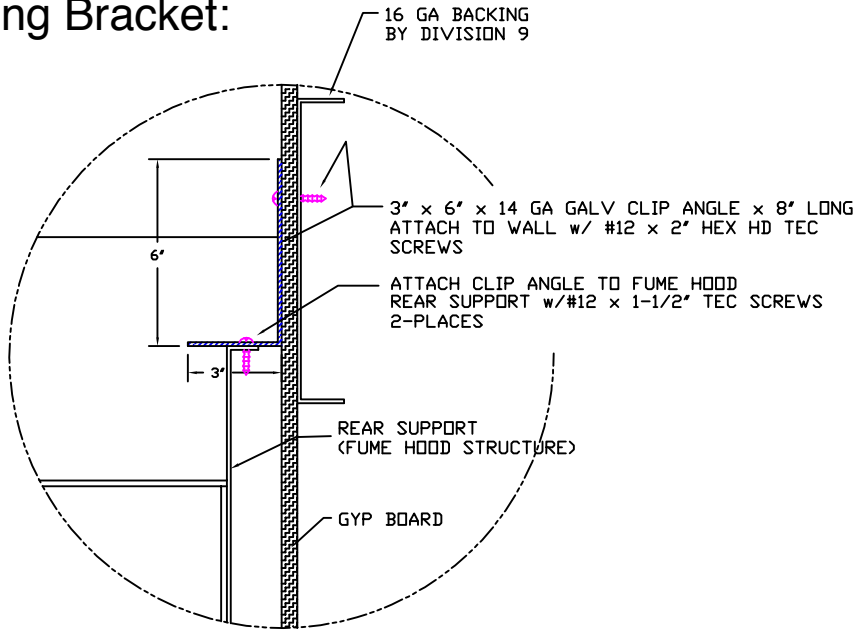
ROUGH-IN PLUMBING AND POWER WHERE REQUIRED

**STEP 2**

SET CABINETRY AND WORK SURFACES



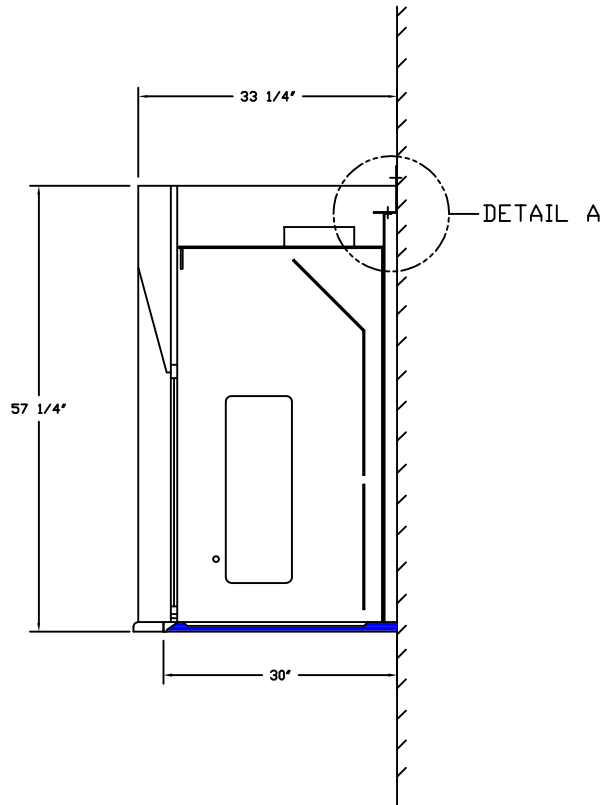
# Seismic Mounting Bracket:



DETAIL A  
SEISMIC INSTALLATION BRACKET

NOTES:

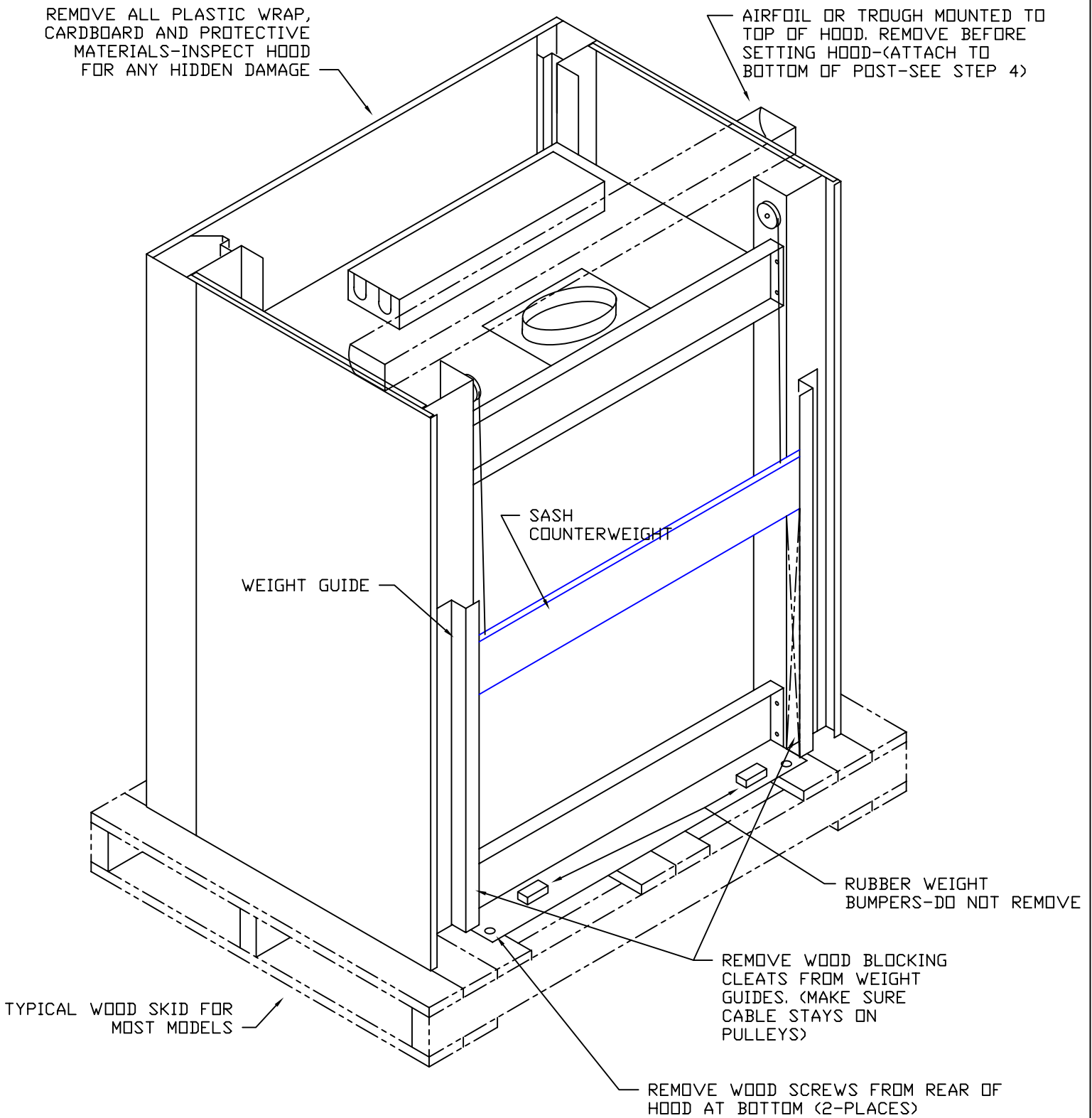
- 2-BRACKETS REQUIRED PER HOOD UP TO 6 FEET LONG
- BRACKETS ARE POSITIONED AND ANCHORED BY INSTALLERS ON SITE
- THIS DRAWING FOR MINIMUM ANCHORAGE ONLY
- THIS DETAIL MAY BE SUPERCEDED BY CASEWORK INSTALLERS



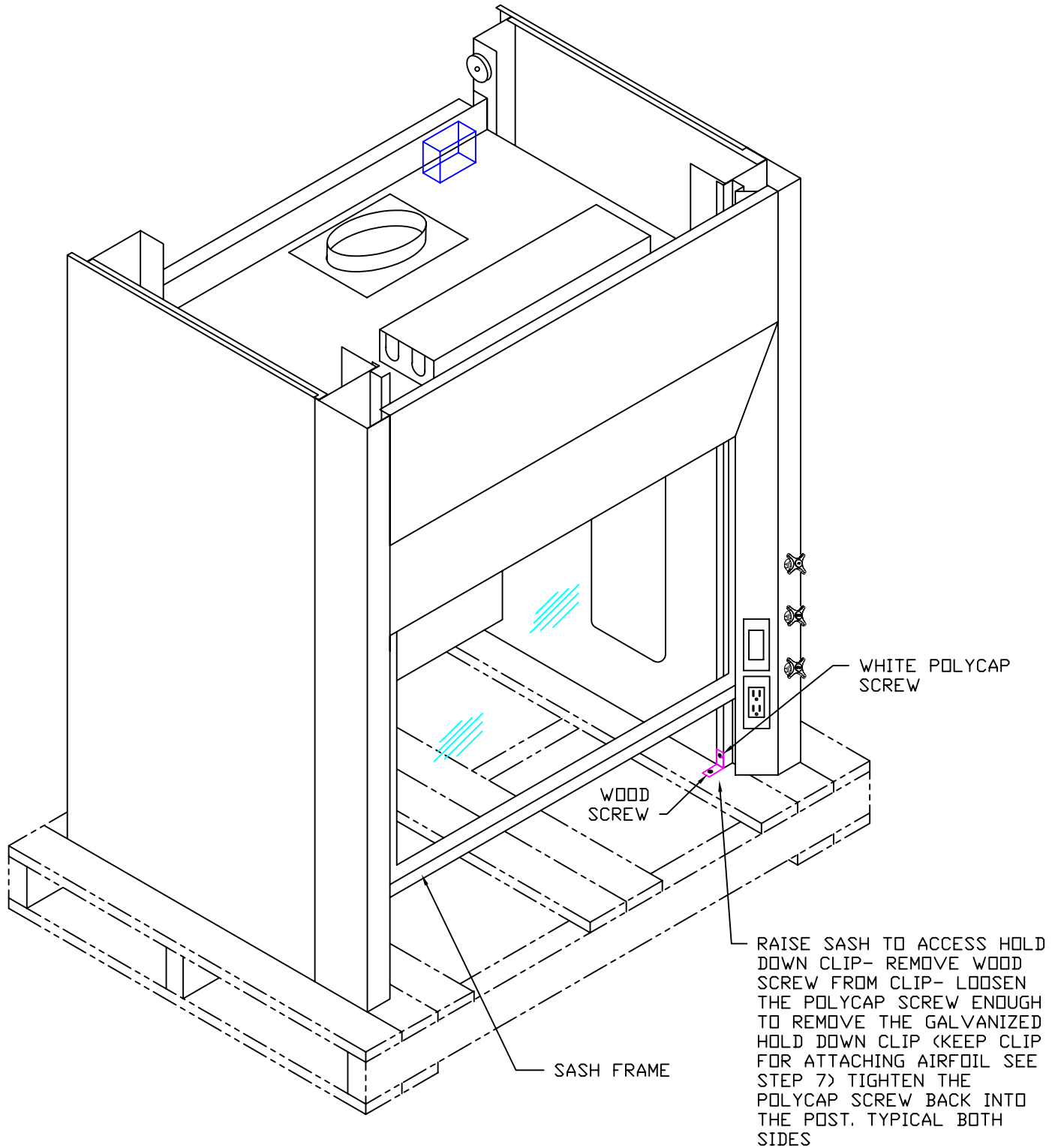


**STEP 3**

**SKID REMOVAL/ UNPACKING**



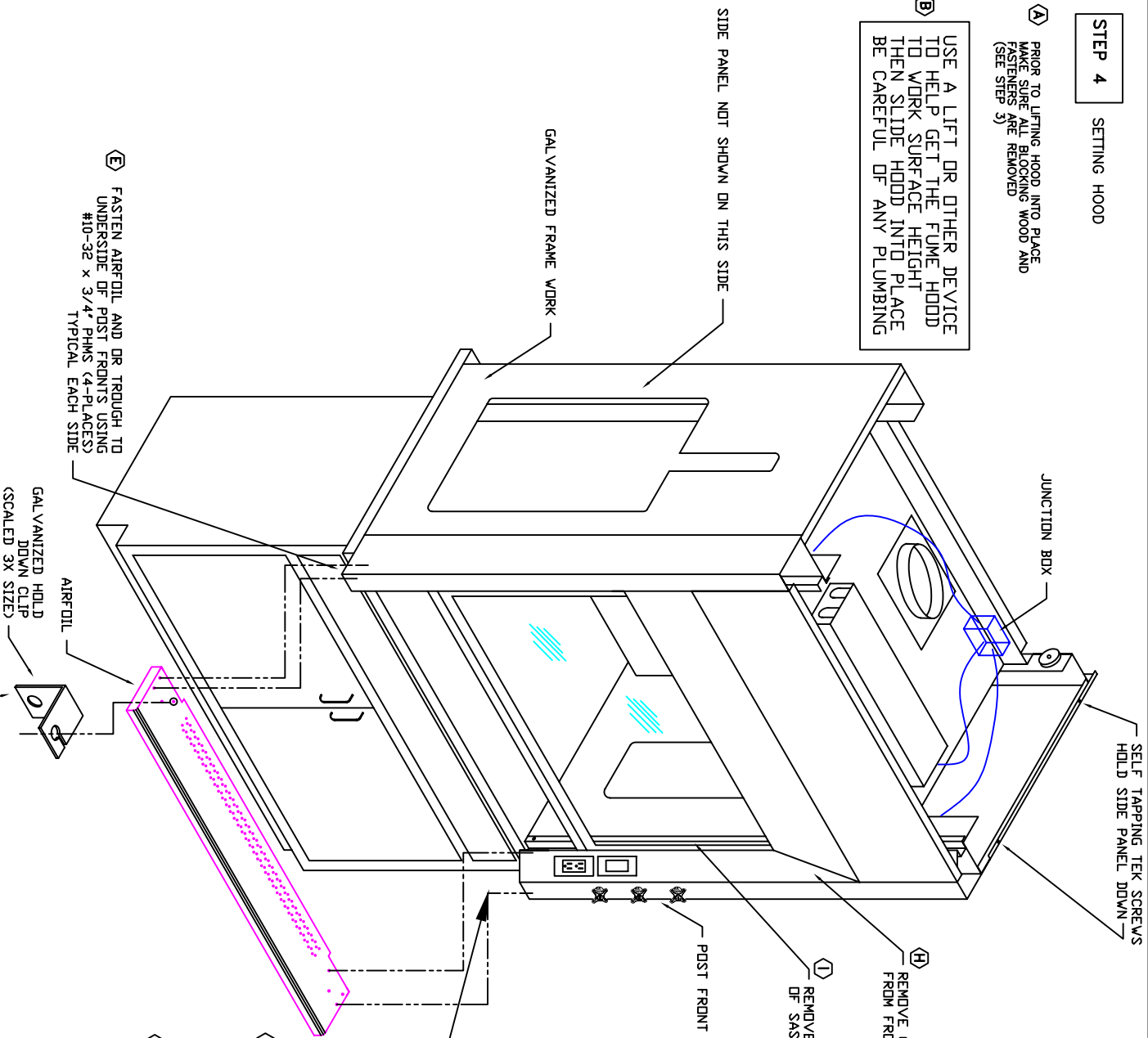
**STEP 3A** SKID REMOVAL/ UNPACKING



**STEP 4** SETTING HOOD

**A** PRIOR TO LIFTING HOOD INTO PLACE MAKE SURE ALL BLOCKING WOOD AND (SEE STEP 3)

**B** USE A LIFT OR OTHER DEVICE TO HELP GET THE FUME HOOD TO WORK SURFACE HEIGHT THEN SLIDE HOOD INTO PLACE BE CAREFUL OF ANY PLUMBING



**H** REMOVE CARDBOARD AND BLUE PACKAGING TAPE FROM FRONT PANEL EDGES

**I** REMOVE BLUE SHIPPING TAPE FROM REAR OF SASH FRAME HOLDING THE SASH CABLE

**C** LIFT HOOD TO DECK HEIGHT SLIDE INTO PLACE

**D** DO NOT SLIDE HOOD ALL THE WAY BACK TO WALL AT THIS TIME LEAVE A FRONT OVERHANG OF 4" TO 4-1/2" FOR INSTALLATION OF AIRFOIL

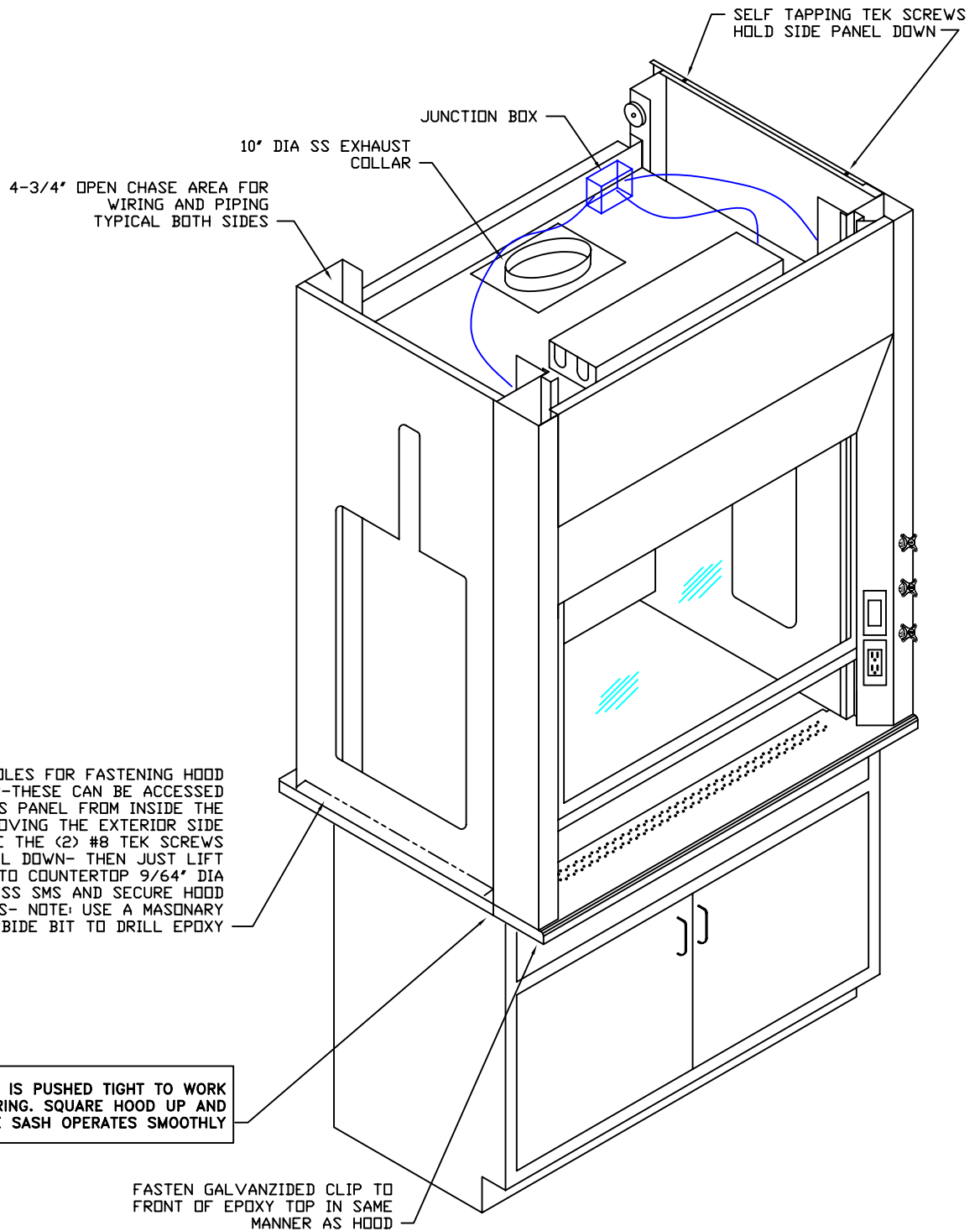
**E** AFTER AIRFOIL AND HOLD DOWN CLIP HAVE BEEN INSTALLED THE HOOD CAN NOW BE SLID BACK INTO PLACE

**E** FASTEN AIRFOIL AND OR THROUGH TO UNDERSIDE OF POST FRONTS USING #10-32 x 3/4" PHMS (4-PLACES) TYPICAL EACH SIDE

**F** INSTALL GALVANIZED HOLD DOWN CLIP AFTER AIRFOIL HAS BEEN INSTALLED- LOOSEN THE SCREW AT THIS LOCATION AND ATTACH HOLD DOWN BRACKET-RETIGHTEN SCREW- THE ANGLE SHOULD REST UP AGAINST THE COUNTERTOP ONCE HOOD IS PUSHED BACK INTO PLACE



**STEP 4A** SETTING HOOD



**STEP 5**

**HVAC AND ELECTRICAL CONNECTIONS**

RUN HVAC DOWN TO FUME HOOD  
MAKE CONNECTION AS REQ'D  
ONCE COMPLETE CHECK FOR LEAKS

**THIS PORTION TO BE COMPLETED BY  
THE APPROPRIATE TRADES ONLY**

DUCT CONNECTION MATERIAL IS  
DETERMINED BY APPLICATION

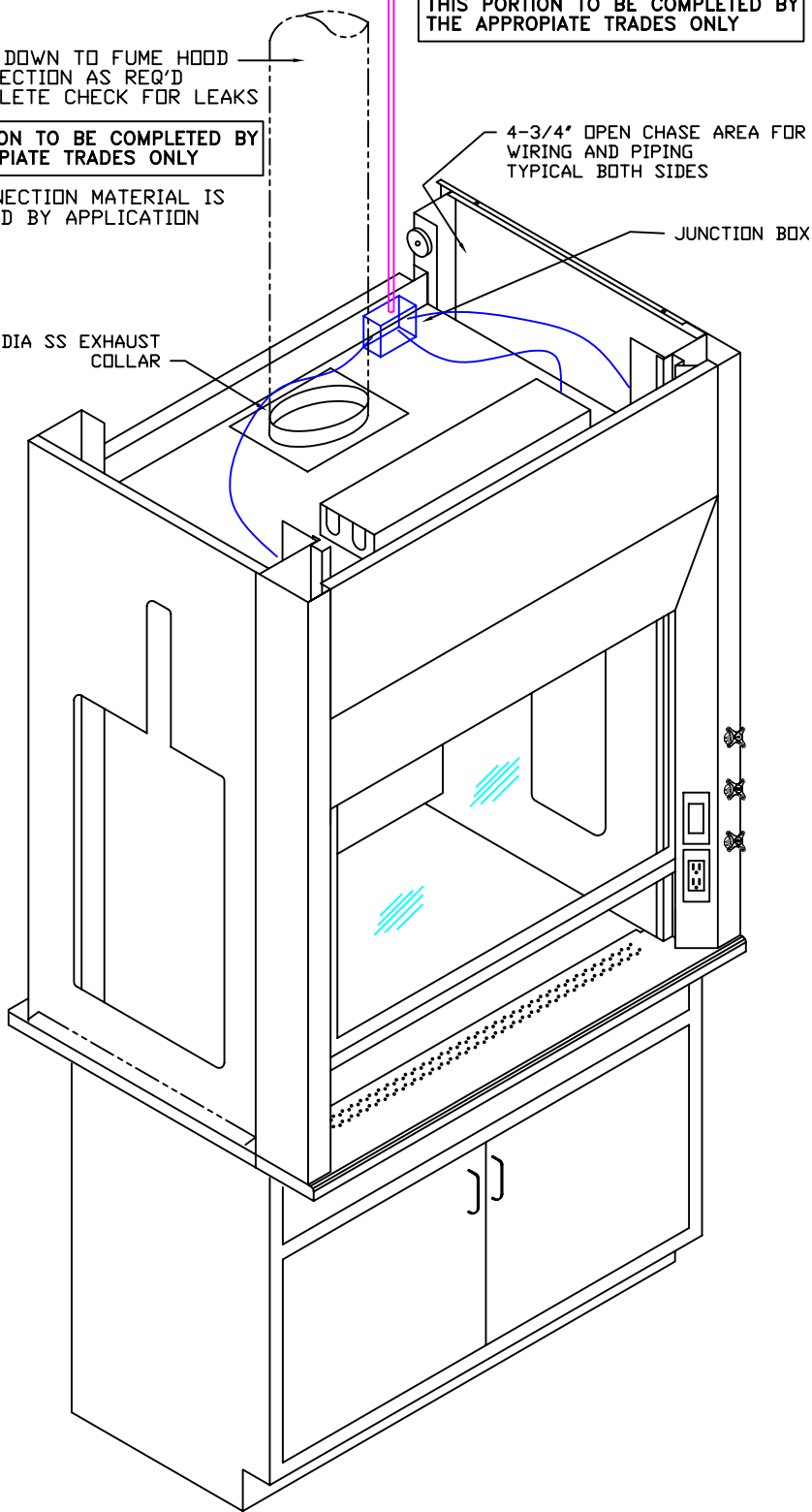
MAIN POWER SINGLE POINT  
OF CONNECTION INTO "J" BOX  
SGL PHASE 20 AMP CIRCUIT

**THIS PORTION TO BE COMPLETED BY  
THE APPROPRIATE TRADES ONLY**

4-3/4" OPEN CHASE AREA FOR  
WIRING AND PIPING  
TYPICAL BOTH SIDES

JUNCTION BOX

10" DIA SS EXHAUST  
COLLAR



**STEP 6**

**PLUMBING CONNECTIONS**

**THIS PORTION TO BE COMPLETED BY THE APPROPRIATE TRADES ONLY**

**FOR PRE-PIPED FUME HOODS**

EXTERIOR SIDE PANELS MAY BE REMOVED FOR EASE OF PLUMBING CONNECTIONS. REPLACE AFTER MAKING CONNECTIONS AND TESTING THE SYSTEM FOR LEAKS.

**GENERAL INFORMATION:**

FUME HOOD SERVICE LINE CONNECTIONS FOR WATER, WASTE, GAS, AIR, VACUUM AND OTHERS WILL VARY, DEPENDING ON THE POINT OF ORIGIN AND NUMBER OF SERVICES BEING PROVIDED.

SERVICES MAY BE BROUGHT UP FROM BELOW, OR DOWN THRU THE CEILING INTO THE FUME HOOD CHASE AREA.

**PRODUCT INFORMATION:**

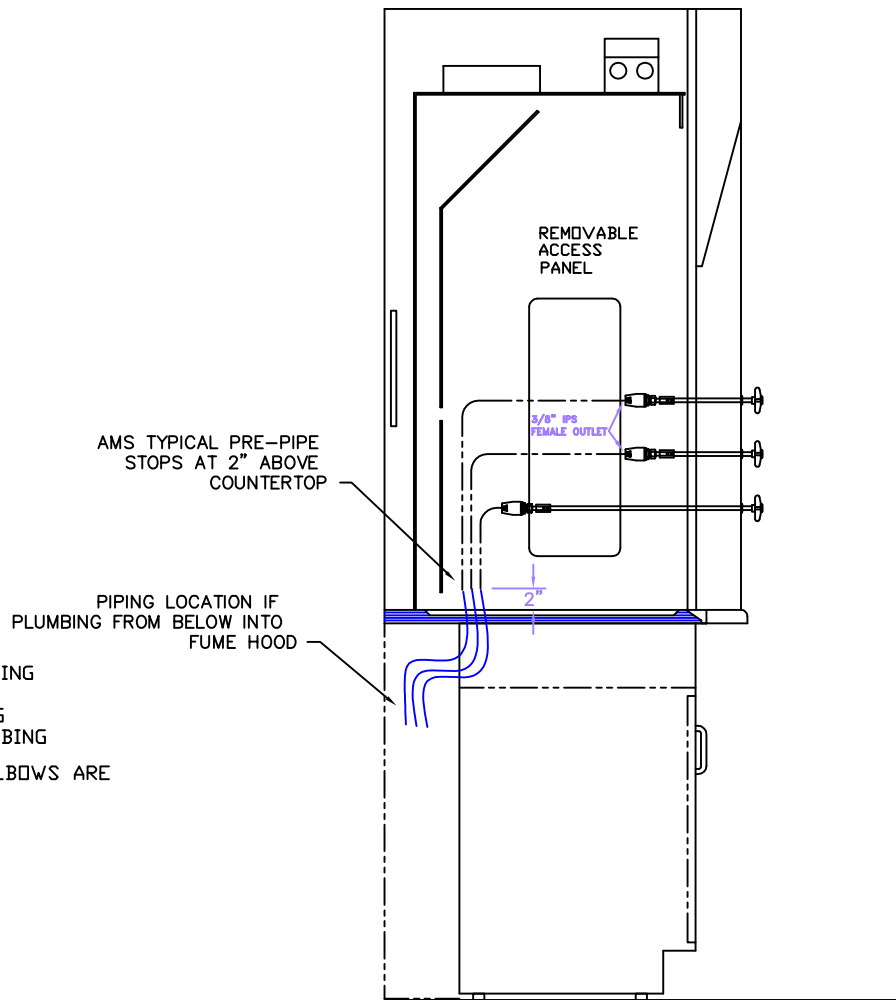
PRE-PIPING OF FUME HOODS INCLUDE PLUMBING FROM VALVE TO ELBOW OR TO TOP OR BOTTOM OF HOOD AS INDICATED.

PIPING MATERIAL IS AS FOLLOWS:  
WATER PIPE- 1/2" TYPE 'L' COPPER TUBING  
AIR PIPE- 1/2" TYPE 'L' COPPER TUBING  
GAS PIPE- 1/2" TYPE 'L' COPPER TUBING  
VACUUM PIPE- 1/2" TYPE 'L' COPPER TUBING

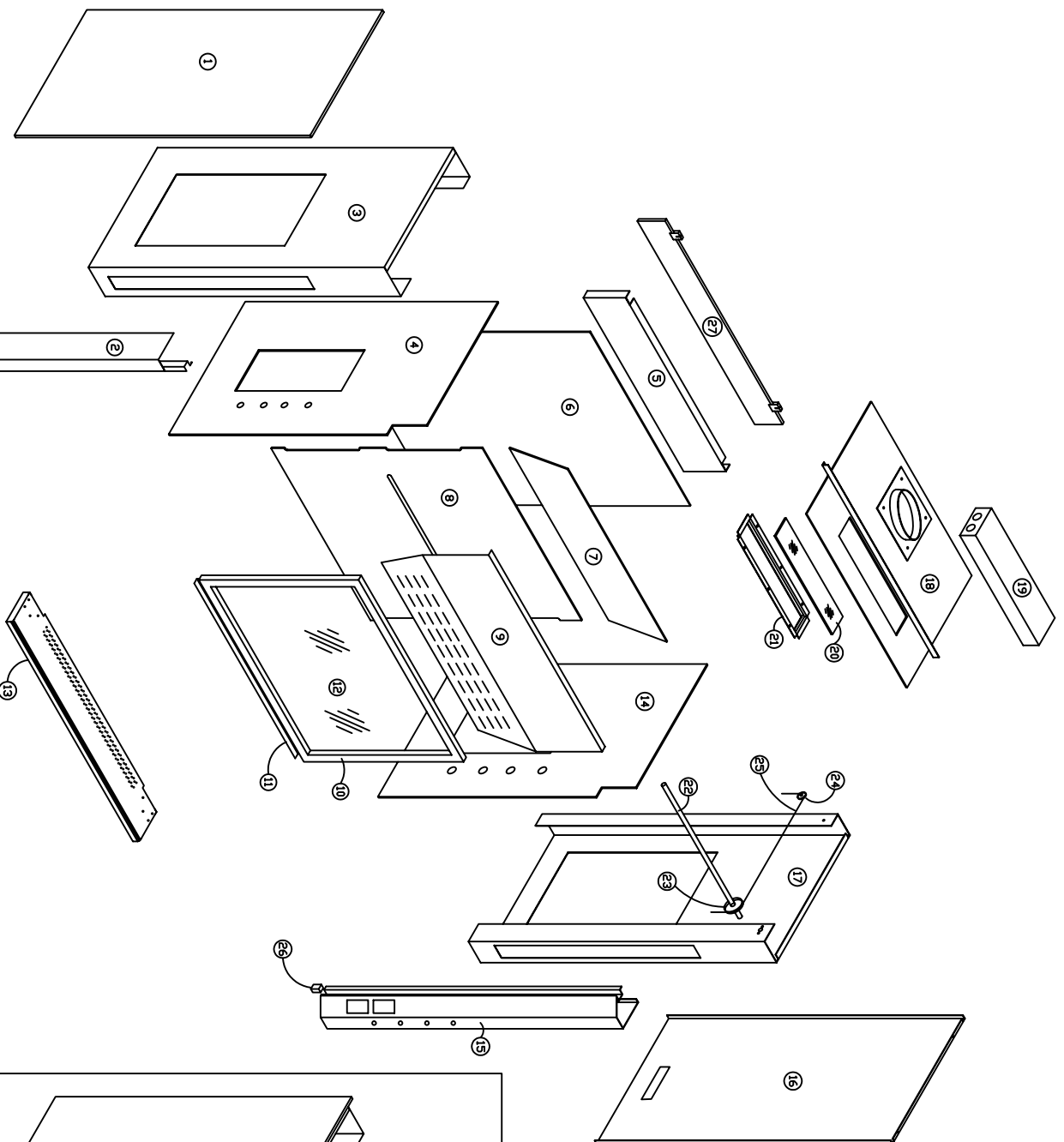
ALL TYPE 'L' COPPER CONNECTIONS & ELBOWS ARE MADE WITH VIEGA PRO-PRESS FITTINGS.

**INSTALLATION INFORMATION:**

PIPING AND CONNECTORS FOR FINAL CONNECTION TO BUILDING LINES ARE NOT FURNISHED. BECAUSE OF CODE REQUIREMENTS THEY SHOULD BE SUPPLIED BY RESPECTIVE TRADES.

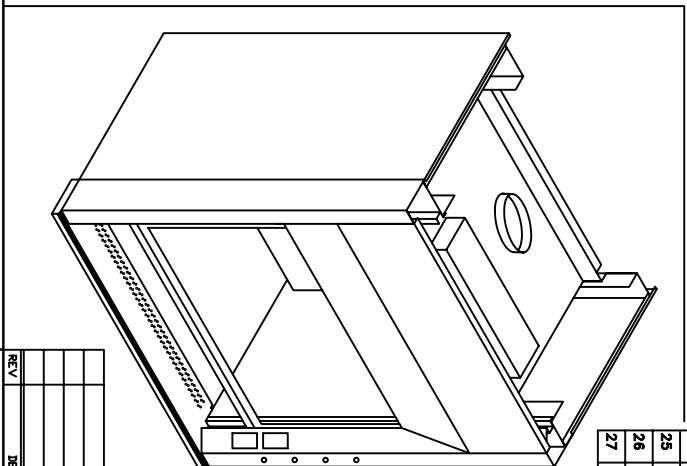






PARTS LIST FOR EH 111 STYLE HOODS

1	LH EXTERIOR METAL SIDE PANEL
2	LH POST FRONT
3	LH FRAME STRUCTURAL SUPPORT
4	LH INTERIOR POLYRESIN SIDE PANEL
5	TOP REAR REINFORCEMENT
6	POLYRESIN BACK PANEL
7	UPPER POLYRESIN BAFFLE
8	LOWER POLYRESIN BAFFLE
9	FRONT PANEL
10	TUBE SASH FRAME
11	BOTTOM FINGER LIFT
12	1/4" CLEAR LAMI SAFETY GLASS
13	AIRFOIL
14	RH INTERIOR POLYRESIN SIDE PANEL
15	RH POST FRONT
16	RH EXTERIOR METAL SIDE PANEL
17	RH FRAME STRUCTURAL SUPPORT
18	POLYRESIN TOP PANEL
19	2-TUBE T-8 FLUORESCENT LIGHT
20	1/4" CLEAR LAMI LIGHT GLASS
21	LIGHT GLASS FRAME
22	STAINLESS STEEL CABLE SHAFT
23	FRONT SHEAVE
24	2" DIA NYLON PULLEY
25	7x7 STEEL COATED SASH CABLE
26	RUBBER BUMPER (FOR SASH)
27	SASH COUNTERWEIGHT



**AMMS**  
standards you deserve

**AIR MASTER SYSTEMS CORP**  
6480 NORTON CENTER DR.  
MUSKEGON, MI. 49441  
TEL. (231) 798-1111 FAX (231) 798-4000  
www.dfmastersystems.com

CUSTOMER  
PARTS LISTS FOR EH STYLE HOODS

REV	DESCRIPTION	BY	DATE

SCALE	DRAWING NO.	SHEET	OF
CUSTOMER PO	PI-EH-111-HDS		
CUSTOMER REF NO			
CUSTOMER JOB			
QUOTE NO			