

Accuride[®]

Accuride Integrated Access Solutions (AIAS)

Sep 2020

KNOW  UP
HOW  TIME



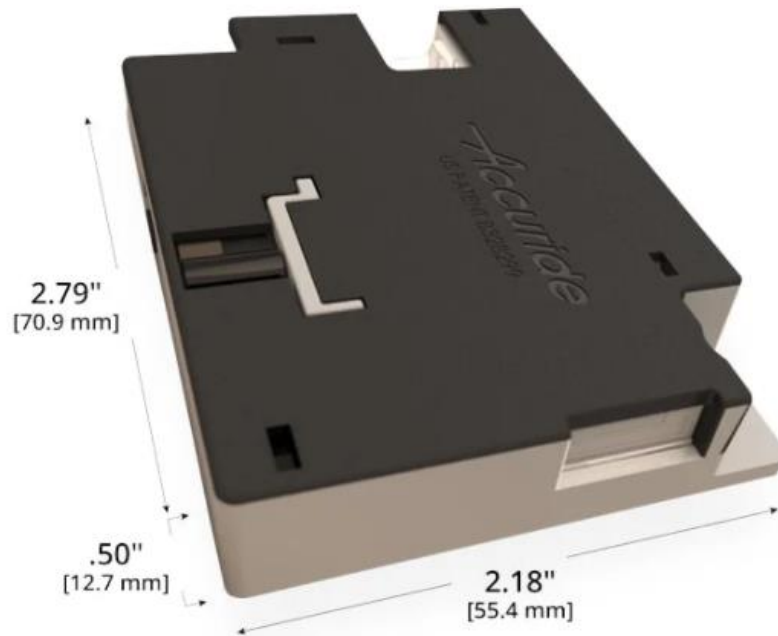
 **Material Handling USA**
800-326-4403
<https://www.mh-usa.com/>

Presentation Objectives

- **Purpose:**
Provide you with a high-level overview of Accuride's unique OEM Locking Solutions.
- **Process:**
Introduce the AIAS E Locks and Integrated Slide Locks variants and target Markets and Applications.
- **Payoff:**
Provide you with the knowledge to assist your customer's design process with the optimal Accuride solution.

AIAS Building Block – The E Lock

BUILT SMALL. BUILT TOUGH



At 0.50" thin, our e-locks are slimmer and lighter than battery-powered alternatives.



Energy efficiency, operating on no more than 50mA per 200mS on 12v.



Ideal for mobile applications, such as medical carts and diagnostic machines.



Can be adapted for heavy-duty industrial use.

E Lock Advantages

- Energy Efficient
 - Many other lock options, like magnetic and solenoid locks, can drain power – Our locks help OEM's with the Power Budget and 'Green' initiatives tied to their products.
- Subversion Protection
 - Industry-leading 250lb Break Force
 - Status-Output / Third-Switch to notify of Lock Status.
- Versatility
 - Electronically "Agnostic" and can be incorporated into virtually any OEM control circuitry.

Building Block Components and Options

AIAS Core Components

“B” Series Locks & Integrated Slide Locks

Available Options:

Locks – Standard (*B 10EL*), Auto-Open(*B 10ELA0*), Soft-Close (*B 10EL-2*), and Touch-Release(*B 10TREL*)

2-WAY – B 2WAYEL, 5EL* (Sliding Door)

Slides

- Side mount – Standard(*B 38EL*), Auto-Open(*B 38ELA0*), and Touch-Release(*B 38TREL*)
- Under mount - Soft-Close(*B 3135ECEL*) and Touch-Release(*B 3135TREL*)

OEM Cable (ABLEL-120)



AIAS Building Block – The E Lock

Target Markets & Applications

- Parcel Lockers
- Retail Fixtures
- Office Furniture
- Medical Carts
- Medication Storage
- Analytical Equipment



Medical Carts



Parcel Lockers



Retail Fixtures



Medication Storage

OEM Design Wins



Portable Medication Storage

Portable Medication Storage



Genomics Instrument



Portable Inventory Storage



Laptop Docking/Charging Stations



Key & Valuables Control

Case Studies



CASE STUDY CAPSA HEALTHCARE

For Internal Use Only

Solution

An integrated movement and secure access solution for pharmaceutical and medical supply carts in healthcare facilities.

Advantage

- Integrated slides and electronic locks provide:
- Reduced assembly and alignment time
- Lower SKU and improved inventory control
- Prevents loss and diversion of supplies

Benefit

- Fully secured E-lock for custom applications
- Built-in subversion protection for security validation
- Discrete access control

"...we tell our customers we use 'Accuride' because it's a company we can trust in."

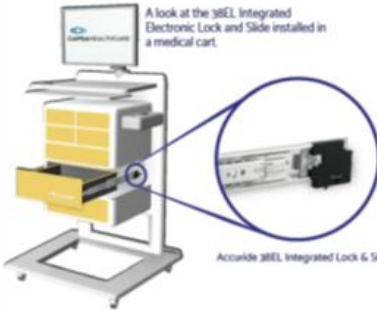
M. Schachitans,
Lead Mechanical Engineer,
Capsa Healthcare

Accuride Provides Fully Integrated, Energy-Efficient and Highly Secure Access Control Solution on Next-Generation Medical Cart from Capsa Healthcare.

Challenge

Capsa Healthcare, previously known as Capsa Solutions, seeks an easy-to-integrate, highly efficient, and industry-compliant access control solution for its new computer-controlled mobile medical cart.

The solution must comply with United States, European Union, and Health Level 7 (HL7) medical standards. Governmental standards include California Jurisdiction, FDA, the US Health Insurance Portability and Accountability Act (HIPAA), and National Electric Code. Capsa Healthcare must also comply with various state laws that mandate multiple locks when securing any behind-the-counter medication.



CAPSA CASE STUDY 1.1



CASE STUDY PROMEGA

Solution

An integrated movement and secure access solution for a DNA analysis machine used for forensic sciences.

Advantage

- Integrated slides and electronic locks provide:
- Reduced assembly and alignment time
- Lower SKU and improved inventory control

Benefit

- Fully secured E-lock for custom applications
- Built-in subversion protection for security validation

"The advantages of working with Accuride are their support, quality, design, and contact with us."

CV Nguyen-Thanh
Storage Solutions Buyer

Accuride Provides Fully Integrated Access Solution for Next-Gen DNA Machine from Promega.

Challenge

Promega needed a movement and access control solution for a new Non-G-compliant DNA analysis machine. They turned to Accuride Access Control for that solution.



PROMEGA CASE STUDY 1.1

See More at www.Accuride.com

See us in Action....

Medical Carts

<https://youtu.be/FkramOSKkpU>

Parcel Lockers

<https://www.youtube.com/watch?v=IAG8X5PN6HI#action=share>

E-Lock Options



B 10EL

Standard Electronic Lock

The B 10EL Standalone Electronic Lock has a standard lock/unlock feature and is built with a low profile.

- Low profile design
- Energy Efficient
- Withstands up to 250 lbs. of force.

[Technical Sheet](#)



B 10ELAO

Auto-Open Electronic Lock

The B 10ELAO Standalone Electronic Lock has Auto-Open feature to propel drawers or doors outwards 2" when unlocked.

- Low profile design
- Energy Efficient
- Withstands up to 250 lbs. of force.

[Technical Sheet](#)



B 10EL-2

Soft-Close Electronic Lock

The B 10EL-2 is a standalone electronic lock for drawers and doors with soft-close action hinges or slides.

- Low profile design
- Energy Efficient
- Withstands up to 250 lbs. of force.

[Technical Sheet](#)



B 10TREL

Electronic Lock with Touch-Release

The Senseon B 10TREL is a Standalone Electronic Lock for drawers and doors with touch-release action.

- Low profile design
- Energy Efficient
- Withstands up to 250 lbs. of force.

[Technical Sheet](#)

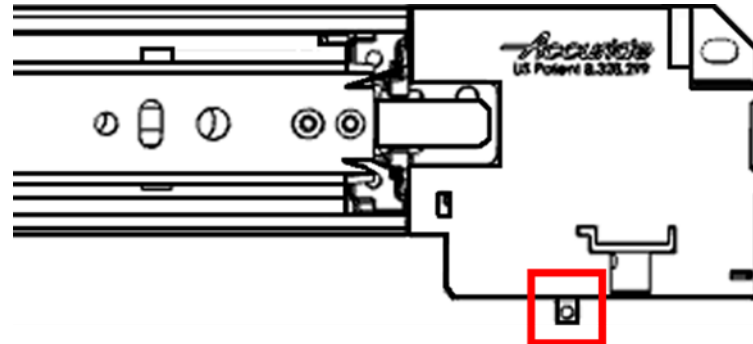
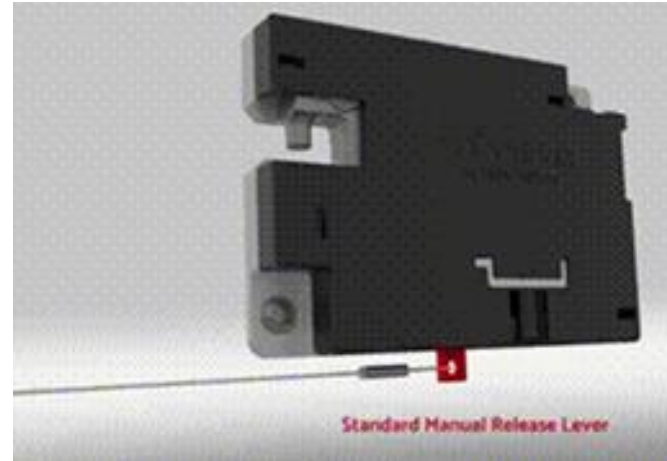
B 10EL Built-in Manual Release

The Accuride E-locks are designed to fail secure, but in case of power failure, all models have a manual release lever available.

The standard operation of the lever requires a pull towards the front of the lock. This is specially helpful in applications where the lock is located near the opening.

This lever mechanically will release the latch, there is no need for a UPS or battery backup.

Override Kit available to reverse pull



Side Mount Slides Integrated with E-Locks



B 38EL Electronic Slide Lock

Standard Electronic Lock

The B 38EL is a full-extension side mounted slide with an Integrated Electronic Lock.

- Payload rating up to 100 lbs.
- Full-extension
- Even lengths 12" – 28"
- Lock rated to 250lb break force

[Technical Sheet](#)



B 38TREL Electronic Slide Lock

Touch-Release

The B 38TREL (Touch-Release) is a full-extension, touch release side mount slide with an Integrated Electronic Lock.

- Payload rating up to 100 lbs.
- Full-extension
- Even lengths 12" – 28"
- Lock rated to 250lb break force

[Technical Sheet](#)



B 38ELAO Electronic Slide Lock

Auto-Open Side Mounted Drawer Slide

The B 38ELAO (Auto-Open) is a full-extension side mount slide with an integrated Electronic Lock. Auto-Open propels drawers out 2" when unlocked.

- Payload rating up to 100 lbs.
- Full extension
- Even lengths 12"-28"
- Lock rated to 250lb break force

[Technical Sheet](#)

Under mount Slides Integrated With E-Locks



3135ECEL

Concealed Easy-Close

The 3135ECEL is a concealed Easy-Close under mount slide with an Integrated Electronic Lock.

- Payload rating up to 100 lbs.
- Full extension
- Lengths 12"-28"
- Lock rated to 250lb break force

[Technical Sheet](#)



3135TREL

Concealed Touch-Release

The 3135TREL is a concealed under mount slide with Touch Release an Integrated Electronic Lock.

- Payload rating up to 100 lbs.
- Full extension
- Lengths 12"-28"
- Lock rated to 250lb break force

[Technical Sheet](#)

E Lock and Slide Lock Summary



	Electronic Lock	Electronic Side Mount Slide Lock	Electronic Undermount Slide Lock
Dimensions (L x W x H)	2.79" x .50" x 2.18"	2.79" x .50" x 2.18" (Lock) Drawer Lengths: 12" to 28"	2.79" x .50" x 2.18" (Lock) Drawer Lengths: 12" to 28"
Break-Force	250 lbs.	250 lbs.	250 lbs.
Locations	Cabinet Doors, Drawers, Panels, Carriages, Lids	Drawers	Drawers
Intelligent Subversion Protection	✓	✓	✓
Touch Release	✓	✓	✓
Auto-Open	✓	✓	—
Easy-Close	✓	✓	✓
Voltage Supply	5v-24v DC	5v-24v DC	5v-24v DC

5EL Electronic Lock for Sliding Doors

Accessories



5EL Electronic Lock for Sliding Doors

Standard for Sliding Doors

The 5EL is an electronic lock designed to lock sliding doors. It is excellent for use in healthcare and retail applications. ***One per cabinet door.***

- Low-profile design
- Withstands 100 lbs. of break force
- Manual override



SEHDAO Kit

Auto-Open Accessory for Heavy-Duty Openings

The Heavy-Duty Auto-Open is an accessory kit for AIAS's standalone and integrated Auto-Open and Touch Release electronic locks. This accessory kit adds the extra power necessary to open large or heavy cabinet doors or drawers.

- Heavy-duty auto-open
- Compact design
- Easy to install
- Increases the standard auto-open strength to 3.2 lbs.

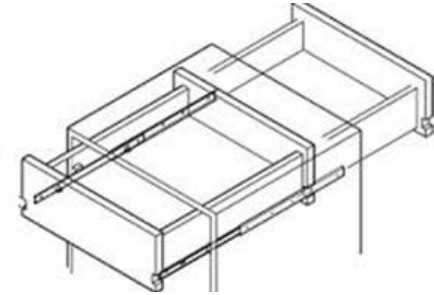


10EL Drawer Catch

The 10EL Drawer Catch works with any of the 10EL Electronic Locks. Users can mount the catch on the side or underneath a drawer.

- Works with any B 10EL electronic lock
- One catch per package
- Zinc finish

New offering for 2020.....2-Way Lock!



2-Way Slide Lock *
800lb break-force

[Technical Sheet](#)
[Product Overview](#)

0363 TWO-WAY DRAWER SLIDE
100LB CAPACITY



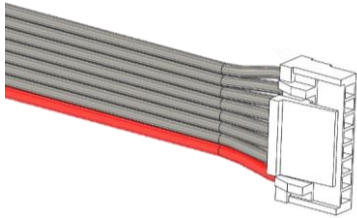
2002 TWO-WAY TRAVEL LIGHT-DUTY
50LB CAPACITY



* Special Order Only

OEM Cables

- OEM Lock Cable
 - To connect Slide or Stand Alone locks to OEM Control System



Standard Length
120 inch –available



Features:

- ▶ OEM Lock cable provided with mating lock connector on one end and a straight cut on the other end
- ▶ 26 gauge UL 2641 ribbon wire 8 leads, red lead is V+
- ▶ 120 inch cable p/n ABLEL-120

Thank You!



**Call Now for a Free
Quote or Site Visit!**

222 S. Main St. 5th Floor
Salt Lake City, UT 84101
800-326-4403
<https://www.mh-usa.com/>

SUPERSTORE

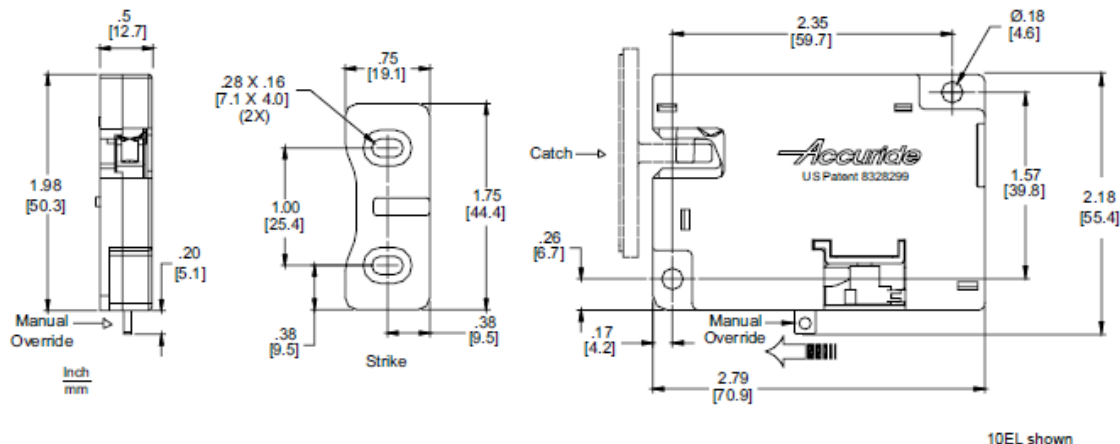
MH-USA

Material Handling USA

Appendix

Technical Sheets

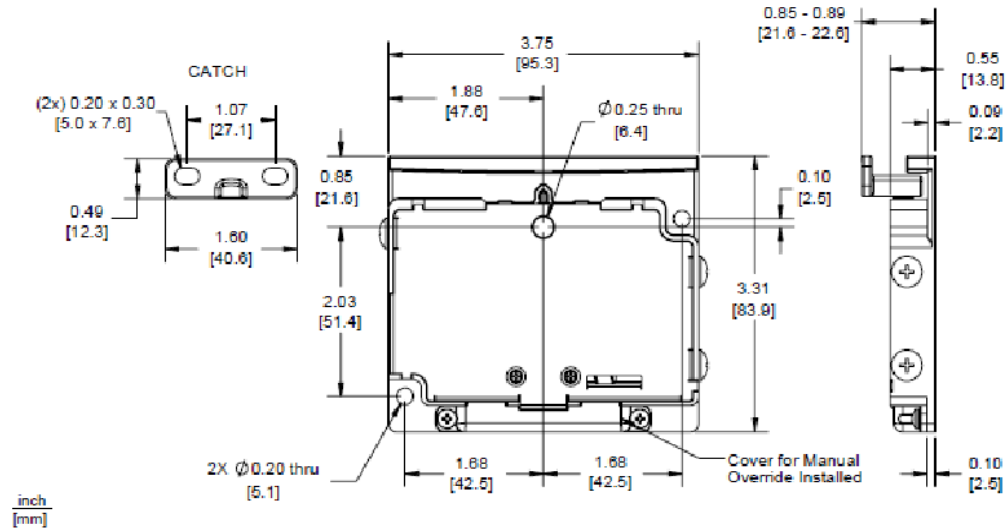
B 10EL



Also available with
**Soft-Close, Touch-Release
or Auto-Open Feature**

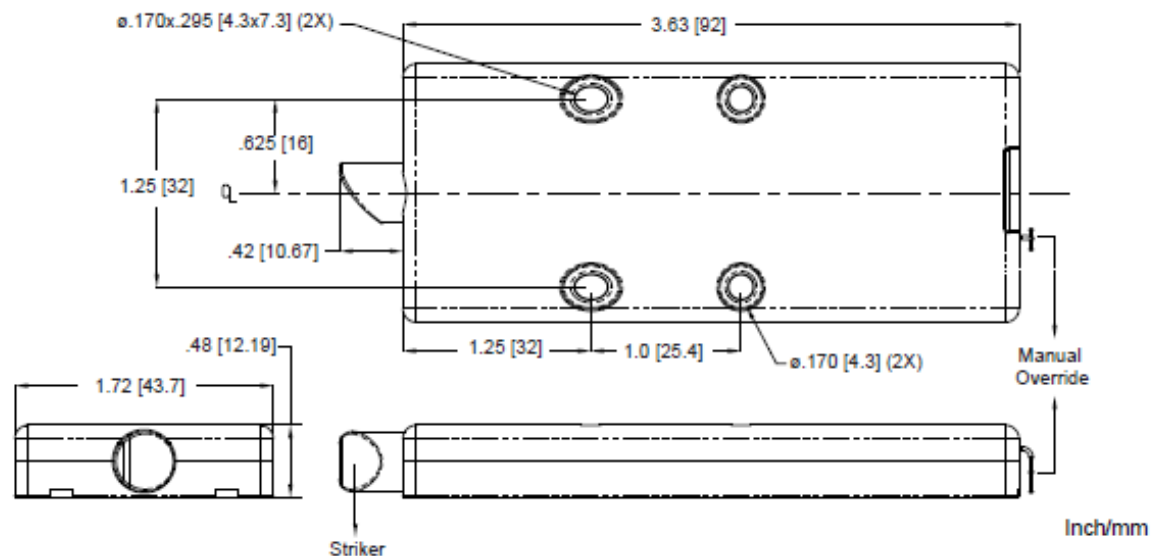
Finish:	Zinc and black polymer
Height:	2.18" [55.4 mm]
Length:	2.79" [70.9 mm]
Thickness:	.50" [12.7 mm]
Mounting Hardware:	#8 pan head screw
Features:	Electronic locking mechanism with manual override Withstands up to 250 pounds of force Installation jig assists positioning for doors
10EL:	Lock/Unlock, with a detent (open manually)
10ELAO:	Auto-Open (automatically opens and propels doors or drawers open about 2" when unlocked) Note: Auto-Open action works best with auto-lock feature. Free swing hinges are recommended for Auto-Open best performance.
10TREL:	Electronic touch release and electronic lock. Note: Mechanism propels doors or drawers open when activated by touch. Free swing hinges are recommended for Touch Release best performance.
10EL-2:	Standard lock/unlock, for doors or drawers with soft-close hinges or drawers with soft-close slides.

B 2-Way EL



- Finish: Zinc
- Lock Height: 3.31" [83.9 mm]
- Lock Width: .55" [13.8 mm]
- Length: 3.75" [95.3 mm]
- Mounting: Above or below any two-way slide
- Hardware: Lock 1X – ¼" or M6 Truss Head
(not included) 2X – #10 or M5 Pan Head
Catch 2X – #10 or M5 Pan Head
- Features: Manual override
E-lock withstands up to 800 lbf.
Works with Senseon Secure Access Control
- Lock Voltage Supply: +6VDC to +24 VDC max.

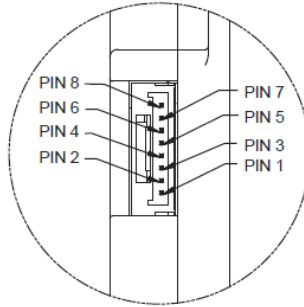
5EL



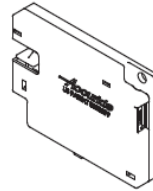
Specifications

Lock Finish:	Black (C)	Features:	The 5EL is an electronic locking mechanism with manual override
Height:	0.48" [12mm]		Withstands up to 150 pounds of force
Width:	1.72" [44mm]		Works with Senseon Secure Access Control
Length:	3.63" [92mm]	Lock Voltage Supply:	+6 VDC to +24 VDC
Mounting:	Horizontal or vertical (left or right)	Lock Connector:	SM08B GHS TB
Mounting Hardware:	#6 square drive pan head (included)		

E-lock Power Requirements and Connector



SM08B-GHS-TB (JST lock connector)



GHR-08V-S (JST cable connector)



WIRE	COLOR	OEM Cable
8	RED	PWR (+) Varies by model**
7	GREY	PWR (-) Ground
6	GREY	Trigger : See Note 3
5	GREY	Jumper connection for TR only
4	GREY	Drawer Status
3	GREY	For internal use only, do not use*
2	GREY	For internal use only, do not use*
1	GREY	Secure Status

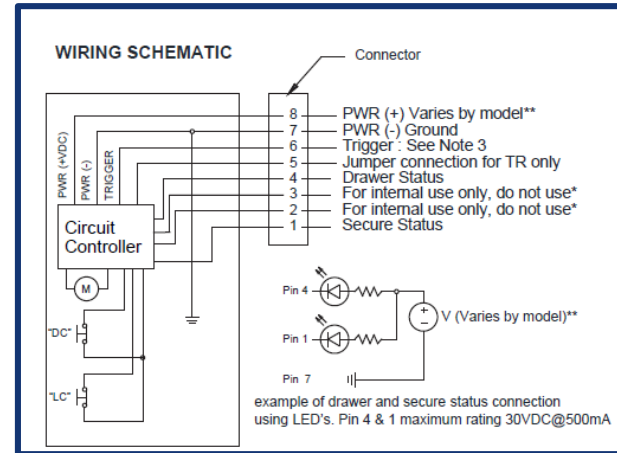
TECHNICAL DATA

Internal Sensor Specifications

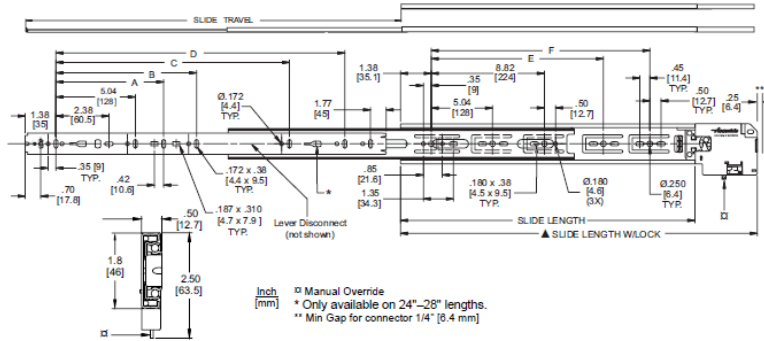
Mechanical Life : 300,000 cycles
 (Drawer Contact "DC")
 (Lock Contact "LC")

Notes:

- Drawer status output:
 Drawer open : = "Open"
 Drawer closed : = "Ground"
- Secure status output:
 Lock is unsecure : = "Open"
 Lock is secure : = "Ground"
- +5VDC to +24VDC Max or +6VDC to +24VDC Max (depending on model) at pin 6 will unlock the Electronic Lock. The Electronic Lock will remain unlocked until +VDC is removed.
- (*) PIN 2 & 3 ARE FOR INTERNAL USE ONLY. DO NOT USE.



Integrated Slide Lock B 38EL



Also available with
Touch-Release or
Auto-Open

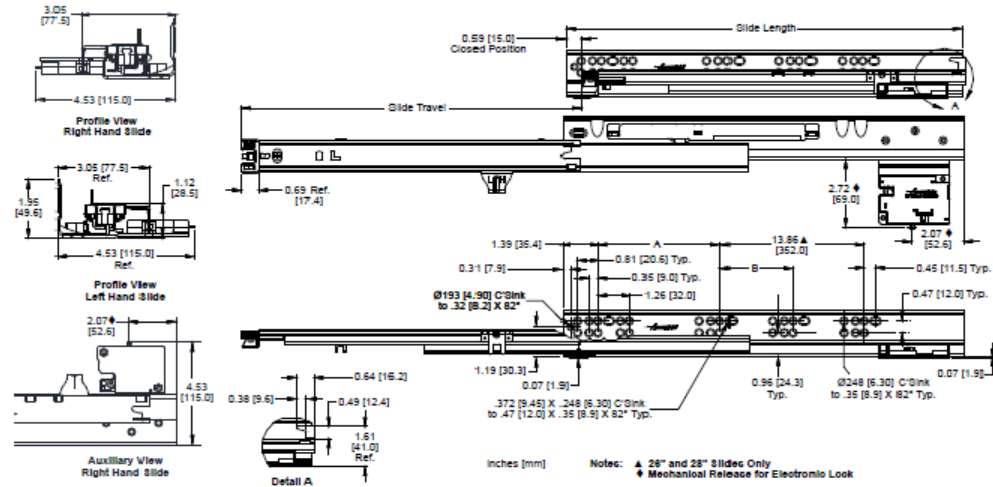
Finish: Clear electroplate(C)
Lengths: 12"-28" [300 mm-700 mm]
 Note: cabinet depth must include an additional 3" to allow room for the locking mechanism and wiring at the back of the slide.
Load Rating: Up to 100 lbs. [45.5 kg] per pair*
Travel: Full extension
Disconnect: Handed lever disconnect
Height: 1.80" [45.7mm]
Height w/ Lock: 2.50" [63.5mm]
Side Space: 0.50 +0.031/-0.0 [12.7mm +0.8/0.0] or 1/2 + 1/32
Mounting Hardware: #8 pan or truss head screw (recommended max head height 0.100)
Features: Electronic locking mechanism with manual override. Lock withstands up to 250 pounds of force.

Options: Lock/Unlock (opened manually)
 Auto-Open (propelled open about 2" when unlocked)
 Auto-Open action works best with auto-lock feature, which is controlled through Senseon Access Control

Part Number	Slide Length	Length w/ Lock	Travel	A	B	C	D	E	F
D38EL-12P	11.81	14.61	12.00						
D38ELAO-12P	[300]	[371]	[305]						
D38EL-14P	13.78	16.58	14.00						
D38ELAO-14P	[350]	[421]	[350]						
D38EL-16P	15.75	18.55	16.00					12.60	
D38ELAO-16P	[400]	[471]	[400]					[320]	
D38EL-18P	17.72	20.51	18.00			12.60		13.86	
D38ELAO-18P	[450]	[521]	[457]			[320]		[352]	
D38EL-20P	19.69	22.48	20.00			12.60		16.38	
D38ELAO-20P	[500]	[571]	[508]			[320]		[416]	
D38EL-22P	21.65	24.45	22.00			12.60	16.38	13.86	17.64
D38ELAO-22P	[550]	[621]	[559]			[320]	[416]	[352]	[448]
D38EL-24P	23.62	26.42	24.00	8.82		16.38		13.86	18.90
D38ELAO-24P	[600]	[671]	[610]	[224]		[416]		[352]	[480]
D38EL-26P	25.59	28.39	26.00	8.82		16.38	21.42	13.86	21.42
D38ELAO-26P	[650]	[721]	[660]	[224]		[416]	[544]	[352]	[544]
D38EL-28P	27.56	30.36	28.00	8.82	11.34	16.38	21.42	13.86	21.42
D38ELAO-28P	[700]	[771]	[711]	[224]	[288]	[416]	[544]	[352]	[544]

Integrated Slide Lock B 3135EL

Also available with
Touch-Release or
Easy-Close



Lengths	Even lengths 12"–28" [305 mm–711 mm], 15" [381mm] and 21" [533mm]
Height	1.12 [28.5]-Under drawer 1.95 [49.6]-Overall
Travel	Full extension
Slide Finish	Bright electro-zinc

Load Rating	100 lbs.* [45.5 kg]
Mounting	Undermount (Side), Optional bottom brackets available.
Features	Compatible with 1/2" [12.7 mm] to 5/8" [15.9 mm] drawer box thickness, 1/8" [3.2 mm] range of horizontal, vertical, front to back drawer front adjustment.

 **Material Handling USA**
800-326-4403
<https://www.mh-usa.com/>