

BenchTop Extraction Arm FX2 50 ESD/EX

The best and most cost-efficient solution for extraction of hazardous airborne contaminants, in applications where small, flexible and easy-to-use arms are required.



Nederman FX2 arms are made of lightweight anodized aluminium sections, with two or three adjustable, composite friction joints. Offering strength and durability combined with easy handling, they can be used in many types of environment. They are especially suitable for applications where small, flexible and easy-to-use arms are required.









The arm is designed for use in electronic environments where there is a risk of electrostatic discharges. The ESD/EX can also be used for certain applications in potentially explosive atmospheres. Recommended for use in zone 1, 2 and 21, 22.

- Optimal efficiency and low noise provides safe and quiet working environment
- Ceilings, walls and floors or fixed to worktops mountings and cut2fit extension profile gives maximum installation flexibility
- The two outermost arm joints can rotate and swivel through 360°, which gives the unique maneuverability
- The lean, smooth and aesthetic design allows arms to fit in well in any environment without compromising its durability and reliability
- Highly integrated products that save customers' time and costs, as well as providing the reliability and functionality to deliver a better performance


















Product name	BenchTop Extraction Arm FX2 50 ESD/EX
Noise level (dB(A))	60 dB(A) at 65 cfm
Installation	Indoor
Material	Tubes in anodized aluminium. Joints in conductive PP plastic. Duct connector in conductive EPDM rubber. Minihood in conductive PP plastic.
Fume temperature	max 70°C
Extraction arm diameter (in)	2 in.
Airflow (CFM)	30 cfm - 65 cfm
Arm length (ft)	



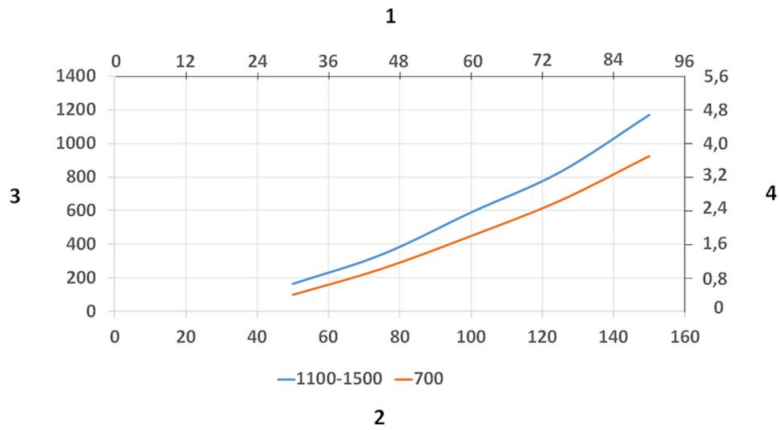
BenchTop Extraction Arm FX2 50 ESD/EX

Image	Description	Weight (lbs)	Model
	FX2-ESD/EX-D50-L700-Up/Down-Low	3.7 lbs	70601244
	FX2-ESD/EX-D50-L700-Up/Dow-Through	2.6 lbs	70601444
	FX2-ESD/EX-D50-L1100-Up-Low	5 lbs	70601544
	FX2-ESD/EX-D50-L1100-Down-Low	5 lbs	70601744
	FX2-ESD/EX-D50-L1100-Down-Through	4 lbs	70601844
	FX2-ESD/EX-D50-L1500-Up-Low	5.7 lbs	70601944
	FX2-ESD/EX-D50-L1500-Down-Low	5.7 lbs	70602144
	FX2-ESD/EX-D50-L1500-Down-Through	4.6 lbs	70602244

BenchTop Extraction Arm FX2 50 ESD/EX

	Accessory	Part No
	FX-Bracket kit-D50/75/100-L190	70501144
	FFX2-Bracket kit-D50/75/100-L500	70377042
	FX2-Wall BRKT kit-Flat-L190-Black. Complete mounting kit, with flat wall bracke,190 mm (7.48 inch) extension profile and associated parts, for mounting FX2 50/75/100 arms with 250 mm (9.84 inch) from the vertical centre line of the arm to the wall.	70377044
	FX2-Bench bracket kit-D50/75/100, Complete mounting kit for mounting FX2 50/75/100 arms on the bench edge.	70501444
	FX-Classic bracket-D50/75/100. The classic bracket should be used together with Cut2fit extension profile for mounting FX2 50/75/100 arms on the ceiling, wall, floor or on top of other horizontal surface.	70501244
	FX-Cut2fit extension-L1100. Cut2fit extension could be cut at any length and should be assembled together with the classic bracket for mounting FX2 50/75/100 arms on the ceiling or wall.	70501344
	FX-Cut2fit extension-L2200	70374600
	FX-Ceiling cover plate. Cover false/dropped ceiling openings caused by both extension profile and ducting.	70502644
	FX2-Ceiling cover plate-PLUS	70377045
	FX-Combi hood-ESD/EX-D50/75/100. Black combi hood, made of conductive ABS plastic, is designed to capture low energy contaminants which is explosive or has a risk of electrostatic discharges. It can be attached directly on minihood, irrespective of arm size.The ergonomics of handle design on both sides of the hood make it easier to maneuver.	70500244
	FX-Dome hood-ESD/EX-D50/75/100. Black dome hood, made of conductive ABS plastic,is designed to capture high dispersion contaminants, which is explosive or has a risk of electrostatic discharges. It can be attached directly on minihood, irrespective of arm size. The ergonomics of handle design on both sides of the hood make it easier to maneuver.	70376983
	FX-Metal hood-ESD/EX-D50/75/100. ESD conductive black metal hood, made of anodized aluminum, is designed to capture contaminants in high temperature, aggressive fume where corrosion resistance must be assured or explosive dust splatter. It can be attached directly on minihood, irrespective of arm size.	70500544
	FX-Flange hood-ESD/EX-D50/75/100. Black flange hood, made of conductive ABS plastic, is designed to maximize the capture zone without hinder objects on the bench or the user. It can be attached directly on minihood, irrespective of arm size.	70502944
	FX2-Duct connector-ESD/EX-D50. Conductive black duct connector to ease the coupling of 77 mm (3") Alu duct to external 80 mm (3.15") ductwork. Please note all arms are already supplied with a duct connector as standard.	70377037
	FX2-AI duct-L1000-D50toD77	70377056
	FX2-AI duct-L2000-D50toD77	70377057
	FX2-Hose support ring-D75	70377067

BenchTop Extraction Arm FX2 50 ESD/EX



Pressure Drop diagram:

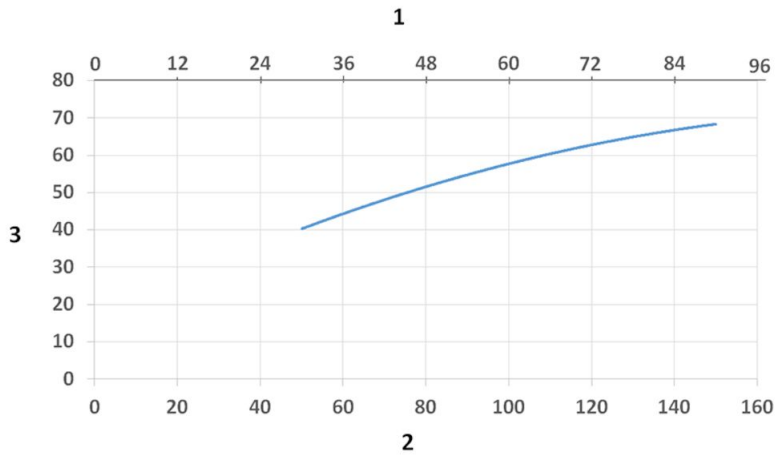
1) X- Axis: Air Flow Rate (cfm)

2) X- Axis: Air Flow Rate (m/h)

3) Y-Axis: Static Pressure Drop (Pa)

4) Y-Axis: Static Pressure Drop (in. wg.)

BenchTop Extraction Arm FX2 50 ESD/EX



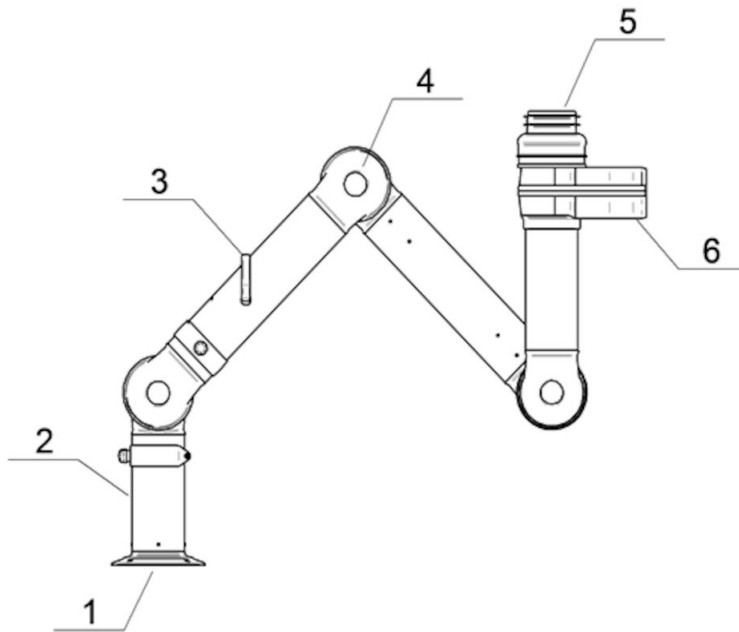
Sound Level diagram:

1) X- Axis: Air Flow Rate (cfm)

2) X- Axis: Air Flow Rate (m/h)

3) Y-Axis: Sound Pressure Level (dB) (A))

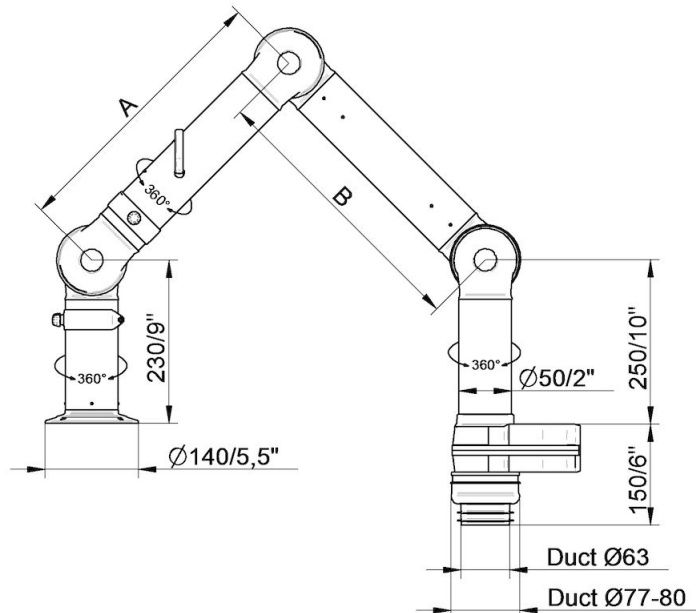
BenchTop Extraction Arm FX2 50 ESD/EX



Material:

- 1) Flange: Conductive PP plastic
- 2) Tubes: Aluminum, anodized 10 µm
- 3) Damper adjustment handle: Aluminum: anodized 10 µm
Internal spring: Stainless steel
Damper blade: Conductive TP & PP plastic
- 4) Joints conductive: PP plastic with glass fibre reinforcement
Plastic rings conductive: PP plastic with glass fibre reinforcement
Axial locking rings conductive: PP plastic with glass fibre reinforcement
Adjustment knobs: PA & EDS plastic
Threaded shaft inside joints: Stainless Steel
- 5) Duct connector: conductive EPDM Rubber
- 6) Swivel: Aluminum, conductive powder coating
Rivets: Aluminum
Bearings swivel conductive: PP plastic with glass fibre reinforcement

BenchTop Extraction Arm FX2 50 ESD/EX

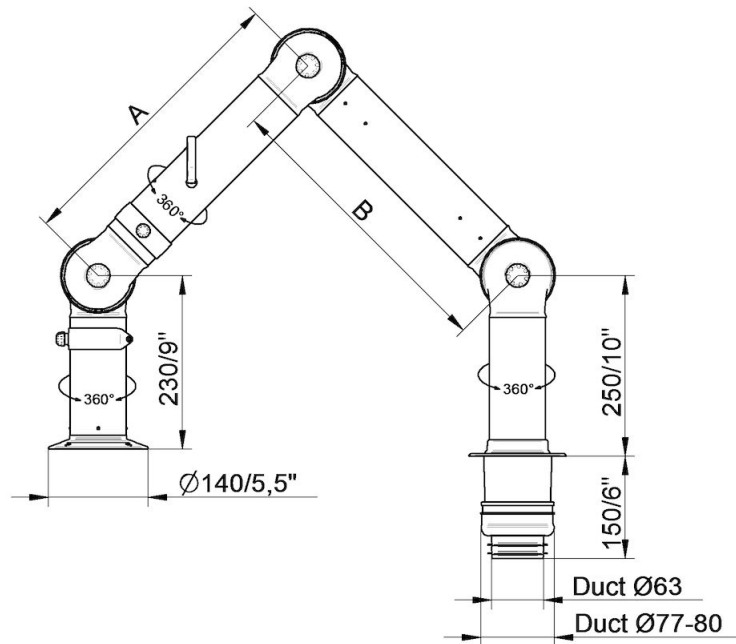


- FX2-ESD/EX-D50-L700-Up/Down-Low
Part number: 70601244
Max. working radius: 630 mm (24,8 in)
A: 400 mm (15,7 in)

- FX2-ESD/EX-D50-L1100-Down-Low
Part number: 70601744
Max. working radius: 1030 mm (40,5 in)
A: 400 mm (15,7 in)
B: 400 mm (15,7 in)

- FX2-ESD/EX-D50-L1500-Down-Low
Part number: 70602144
Max. working radius: 1430 mm (56,3 in)
A: 500 mm (19,7 in)
B: 700 mm (27,6 in)

BenchTop Extraction Arm FX2 50 ESD/EX

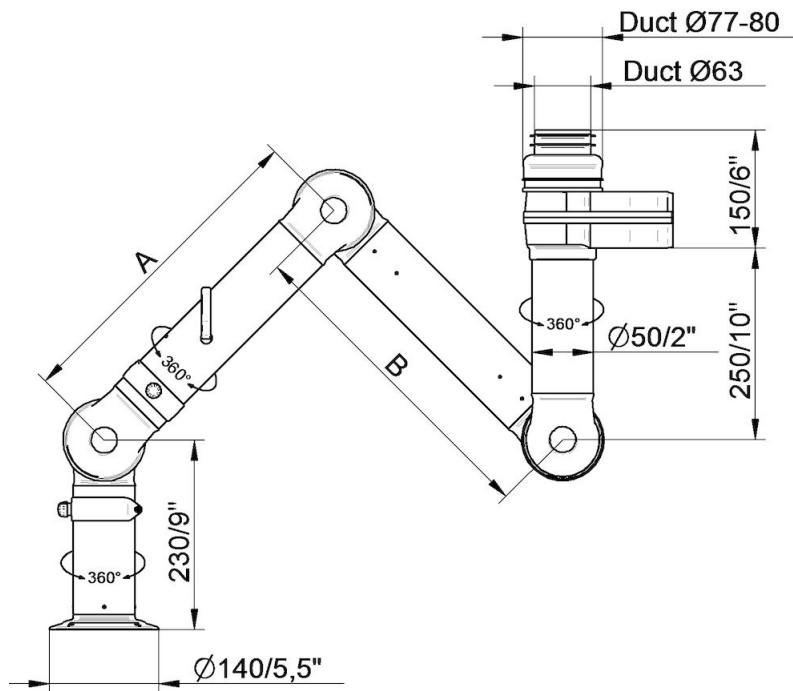


- FX2-ESD/EX-D50-L700-Up/Dow-Through
Part number: 70601444
Max. working radius: 630 mm (24,8 in)
A: 400 mm (15,7 in)
B: -

- FX2-ESD/EX-D50-L1100-Down-Through
Part number: 70601844
Max. working radius: 1030 mm (40,5 in)
A: 400 mm (15,7 in)
B: 400 mm (15,7 in)

- FX2-ESD/EX-D50-L1500-Down-Through
Part number: 70602244
Max. working radius: 1430 mm (56,3 in)
A: 500 mm (19,7 in)
B: 700 mm (27,6 in)

BenchTop Extraction Arm FX2 50 ESD/EX

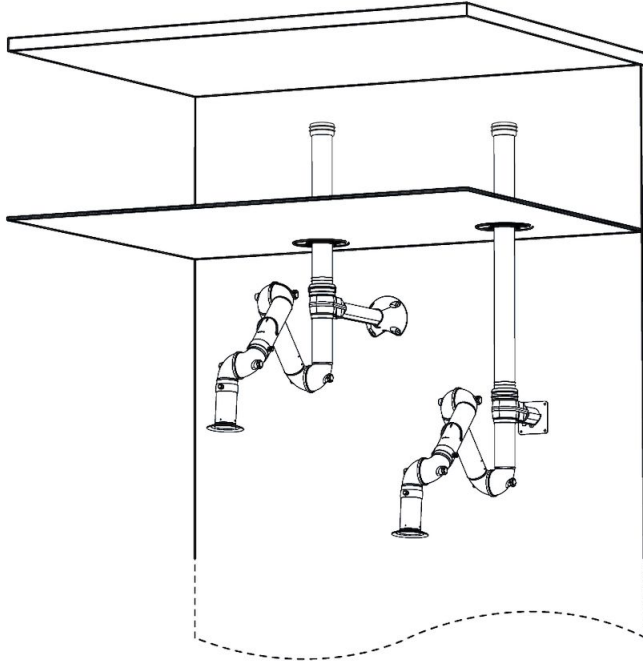


- FX2-ESD/EX-D50-L700-Up/Down-Low
Part number: (70601244)
Max. working radius: 630 mm (24,8 in)
A: 400 mm (15,7 in)
B: -

- FX2-ESD/EX-D50-L1100-Up-Low
Part number: 70601544
Max. working radius: 1030 mm (40,5 in)
A: 400 mm (15,7 in)
B: 400 mm (15,7 in)

- FX2-ESD/EX-D50-L1500-Up-Low
Part number: 70601944
Max. working radius: 1430 mm (56,3 in)
A: 500 mm (19,7 in)
B: 700 mm (27,6 in)

BenchTop Extraction Arm FX2 50 ESD/EX



Wall mounting examples:

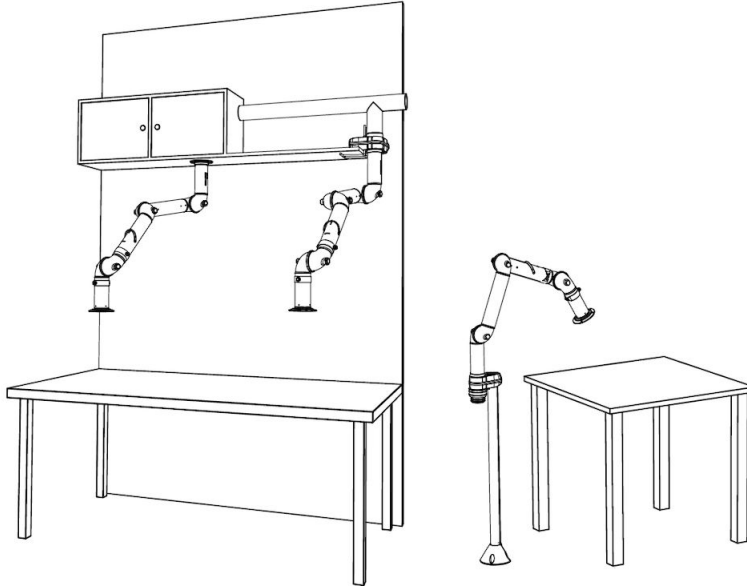
Left: FX2-Up-Low arm with following accessories:

- FX2-Bracket kit-D-50/75/100-L500
- FX2-Ceiling cover plate-PLUS
- FX2-Alu duct
- FX2-Duct connector-ESD/EX-D75

Right: Up-Low arm with following accessories:

- FX2-Wall BRKT kit-Flat-L190-Black
- FX2-Ceiling cover plate-PLUS
- FX2-Alu duct
- FX2-Duct connector-ESD/EX-D75

BenchTop Extraction Arm FX2 50 ESD/EX



Other mounting examples:

Left: Overbench cabinet mounting with FX2-Up/Down-Through arm

Middle: Shelf mounting with FX2-Up-Low arm and following accessories:

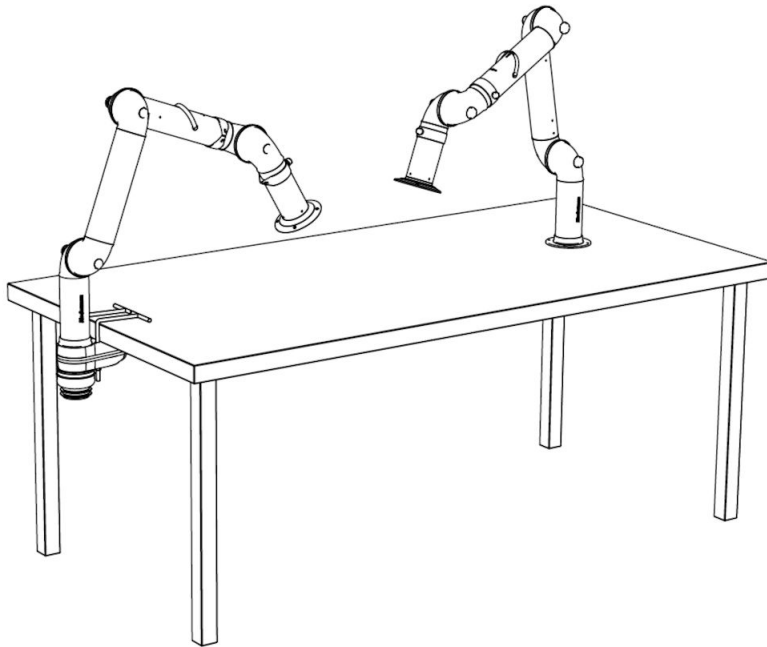
-FX2-Bench bracket kit

Right: Floor mounting with FX2-Up-Low arm and following accessories:

-FX-Classic bracket

-FX-Cut2fit extension-L1100

BenchTop Extraction Arm FX2 50 ESD/EX



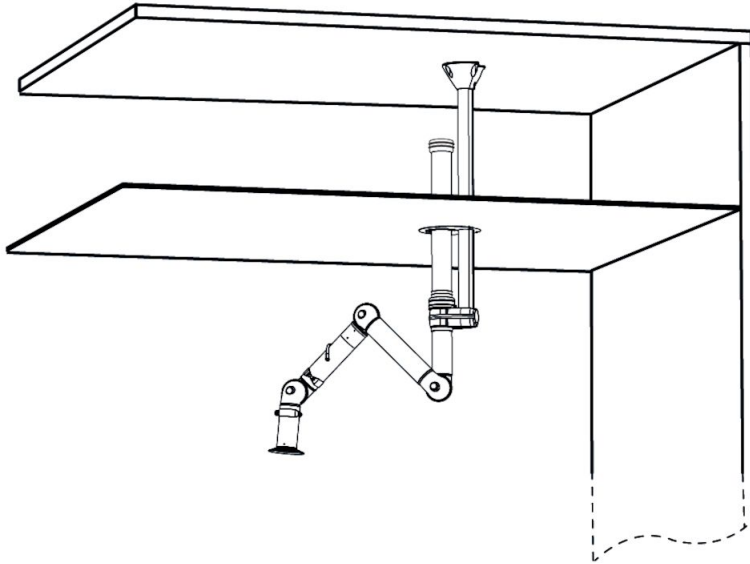
Bench mounting examples:

Left: FX2-Down-Low arm with following accessories:

-FX2-Bench bracket kit-D-50/75/100

Right: FX2-Down-Through arm

BenchTop Extraction Arm FX2 50 ESD/EX



Ceiling mounting example:

Left: FX2-Up-Low arm with following accessories:

- FX-Classic bracket
- FX-Cut2fit extension-L1100
- FX2-Alu duct
- FX2-Duct connector-ESD/EX-D75
- FX-Ceiling cover plate