

## BenchTop Extraction Arm FX2 100 ESD/EX

The best and most cost-efficient solution for extraction of hazardous airborne contaminants, in applications where small, flexible and easy-to-use arms are required.



Nederman FX2 arms are made of lightweight anodized aluminium sections, with two or three adjustable, composite friction joints. Offering strength and durability combined with easy handling, they can be used in many types of environment. They are especially suitable for applications where small, flexible and easy-to-use arms are required.

The arm is designed for use in electronic environments where there is a risk of electrostatic discharges. The ESD/EX can also be used for certain applications in potentially explosive atmospheres. Recommended for use in zone 1, 2 and 21, 22.

- Optimal efficiency and low noise provides safe and quiet working environment
- Ceilings, walls and floors or fixed to worktops mountings and cut2fit extension profile gives maximum installation flexibility
- The two outermost arm joints can rotate and swivel through 360°, which gives the unique maneuverability
- The lean, smooth and aesthetic design allows arms to fit in well in any environment without compromising its durability and reliability
- Highly integrated products that save customers' time and costs, as well as providing the reliability and functionality to deliver a better performance



















<b>Product name</b>	BenchTop Extraction Arm FX2 100 ESD/EX
<b>Noise level (dB(A))</b>	62 dB(A) at 265 cfm
<b>Installation</b>	Indoor
<b>Material</b>	Tubes in anodized aluminium. Joints in conductive PP plastic. Duct connector in conductive EPDM rubber. Minihood in conductive PP plastic.
<b>Fume temperature</b>	max 70°C
<b>Extraction arm diameter (in)</b>	4 in.
<b>Airflow (CFM)</b>	110 cfm - 265 cfm
<b>Arm length (ft)</b>	



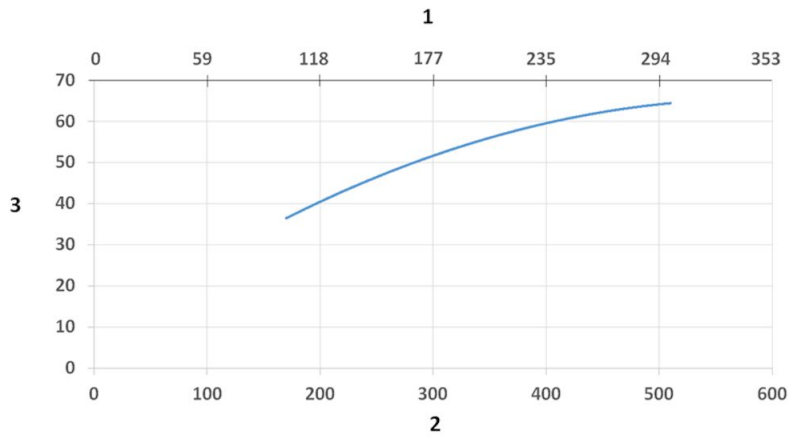
## BenchTop Extraction Arm FX2 100 ESD/EX

Image	Description	Weight (lbs)	Model
	FX2-ESD/EX-D100-L1200-Up/Down-Low	10.5 lbs	70606544
	FX2-ESD/EX-D100-L1200-Up/Down-Thru	9 lbs	70606744
	FX2-ESD/EX-D100-L1800-Up-Low	13 lbs	70606844
	FX2-ESD/EX-D100-L1800-Down-Low	13 lbs	70607044
	FX2-ESD/EX-D100-L1800-Down-Through	11.5 lbs	70607144
	FX2-ESD/EX-D100-L2400-Up-Low	15.2 lbs	70607244

## BenchTop Extraction Arm FX2 100 ESD/EX

	Accessory	Part No
	FX-Bracket kit-D50/75/100-L190	70501144
	FFX2-Bracket kit-D50/75/100-L500	70377042
	FX2-Bench bracket kit-D50/75/100, Complete mounting kit for mounting FX2 50/75/100 arms on the bench edge.	70501444
	FX-Classic bracket-D50/75/100. The classic bracket should be used together with Cut2fit extension profile for mounting FX2 50/75/100 arms on the ceiling, wall, floor or on top of other horizontal surface.	70501244
	FX-Cut2fit extension-L1100. Cut2fit extension could be cut at any length and should be assembled together with the classic bracket for mounting FX2 50/75/100 arms on the ceiling or wall.	70501344
	FX-Cut2fit extension-L2200	70374600
	FX-Ceiling cover plate. Cover false/dropped ceiling openings caused by both extension profile and ducting.	70502644
	FX2-Ceiling cover plate-PLUS	70377045
	FX2-Wall BRKT kit-Flat-L190-Black. Complete mounting kit, with flat wall bracke,190 mm (7.48 inch) extension profile and associated parts, for mounting FX2 50/75/100 arms with 250 mm (9.84 inch) from the vertical centre line of the arm to the wall.	70377044
	FX-Dome hood-ESD/EX-D50/75/100. Black dome hood, made of conductive ABS plastic, is designed to capture high dispersion contaminants, which is explosive or has a risk of electrostatic discharges. It can be attached directly on minihood, irrespective of arm size. The ergonomics of handle design on both sides of the hood make it easier to maneuver.	70376983
	FX-Combi hood-ESD/EX-D50/75/100. Black combi hood, made of conductive ABS plastic, is designed to capture low energy contaminants which is explosive or has a risk of electrostatic discharges. It can be attached directly on minihood, irrespective of arm size. The ergonomics of handle design on both sides of the hood make it easier to maneuver.	70500244
	FX-Metal hood-ESD/EX-D50/75/100. ESD conductive black metal hood, made of anodized aluminum, is designed to capture contaminants in high temperature, aggressive fume where corrosion resistance must be assured or explosive dust splatter. It can be attached directly on minihood, irrespective of arm size.	70500544
	FX-Flange hood-ESD/EX-D50/75/100. Black flange hood, made of conductive ABS plastic, is designed to maximize the capture zone without hinder objects on the bench or the user. It can be attached directly on minihood, irrespective of arm size.	70502944
	FX2-Duct connector-ESD/EX-D100. Conductive black duct connector to ease the coupling of 100mm (4 inch) Alu duct to external 125mm (5 inch) ductwork. Please note all arms are already supplied with a duct connector as standard.	70377041
	FX2-AI duct-L1000-D75/100toD100. Aluminum duct with 100 mm (4 inch) diameter and 1000 mm (39.37 inch) length is designed to replace vertical ventilation duct above the swivel of FX2 75/100 arm. This is a good looking alternative to standard, ventilation duct.	70377058
	FX2-AI duct-L2000-D75/100toD100. Aluminum duct with 100 mm (4 inch) diameter and 2000 mm (78.74 inch) length is designed to replace vertical ventilation duct above the swivel of FX2 75/100 arm. This is a good looking alternative to standard, ventilation duct.	70377059
	FX2-Hose support ring-D100. Place into the 100 mm (4 inch) hose to support the connection between the hose and the duct connector of the arm. A must to connect the hose to arm.	70377068
	FX2-Hose support ring-D125. Place into the 125 mm (5 inch) hose to support the connection between the hose and the duct connector of the arm. A must to connect the hose to arm.	70377069

## BenchTop Extraction Arm FX2 100 ESD/EX



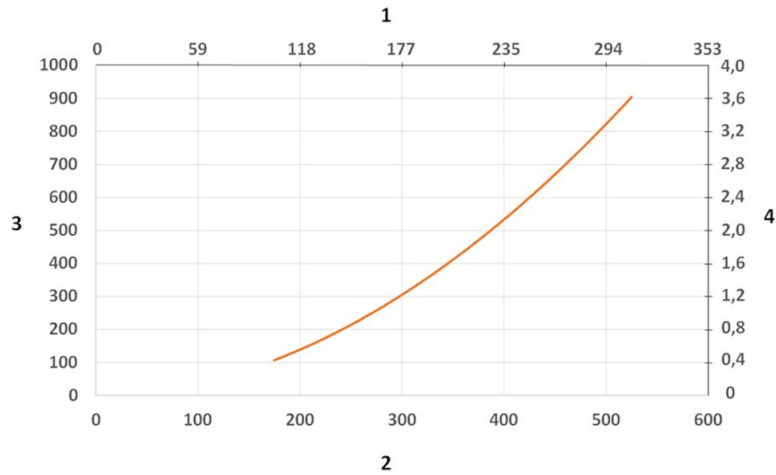
Sound Level diagram:

1) X- Axis: Air Flow Rate (cfm)

2) X- Axis: Air Flow Rate (m/h)

3) Y-Axis: Sound Pressure Level (dB) (A))

## BenchTop Extraction Arm FX2 100 ESD/EX



Pressure Drop diagram:

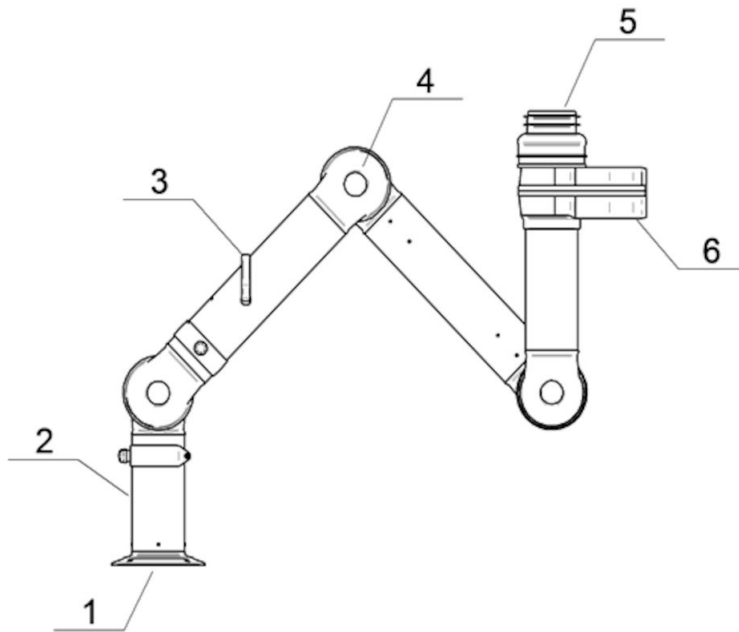
1) X- Axis: Air Flow Rate (cfm)

2) X- Axis: Air Flow Rate (m/h)

3) Y-Axis: Static Pressure Drop (Pa)

4) Y-Axis: Static Pressure Drop (in. wg.)

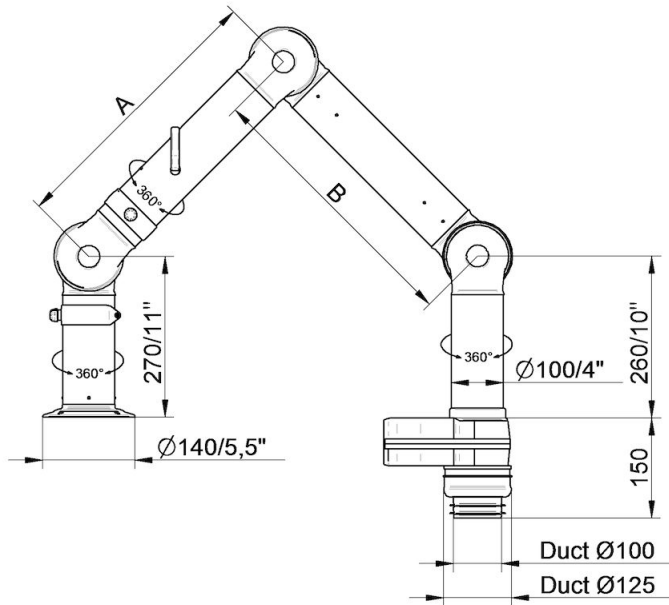
## BenchTop Extraction Arm FX2 100 ESD/EX



**Material:**

- 1) Flange: Conductive PP plastic
- 2) Tubes: Aluminum, anodized 10 µm
- 3) Damper adjustment handle: Aluminum: anodized 10 µm  
Internal spring: Stainless steel  
Damper blade: Conductive TP & PP plastic
- 4) Joints conductive: PP plastic with glass fibre reinforcement  
Plastic rings conductive: PP plastic with glass fibre reinforcement  
Axial locking rings conductive: PP plastic with glass fibre reinforcement  
Adjustment knobs: PA & EDS plastic  
Threaded shaft inside joints: Stainless Steel
- 5) Duct connector: conductive EPDM Rubber
- 6) Swivel: Aluminum, conductive powder coating  
Rivets: Aluminum  
Bearings swivel conductive: PP plastic with glass fibre reinforcement

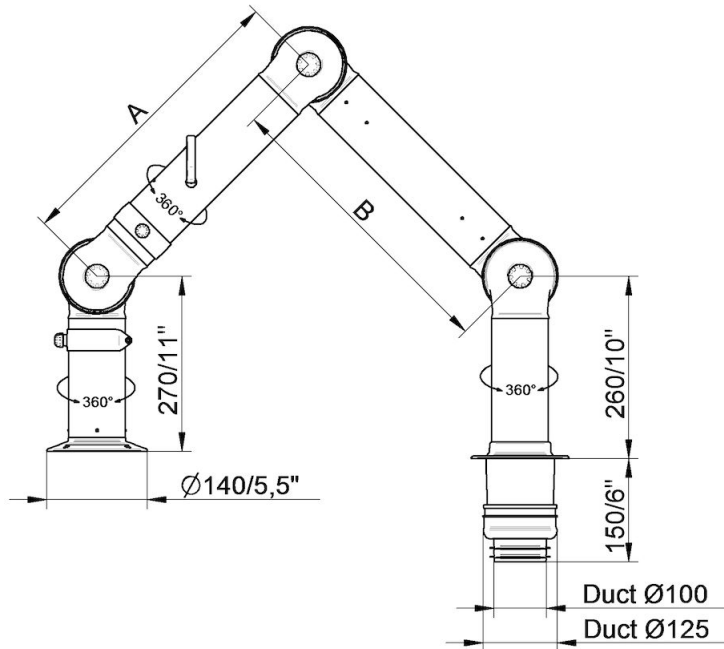
## BenchTop Extraction Arm FX2 100 ESD/EX



- FX2-ESD/EX-D100-L1200-Up/Down-Low  
Part number: 70606544  
Max. working radius: 1170 mm (46,1 in)  
A: 450 mm (17,7 in)  
B: 450 mm (17,7 in)

- FX2-ESD/EX-D100-L1800-Down-Low  
Part number: 70607044  
Max. working radius: 1770 mm (69,7 in)  
A: 750 mm (29,5 in)  
B: 750 mm (29,5 in)

## BenchTop Extraction Arm FX2 100 ESD/EX

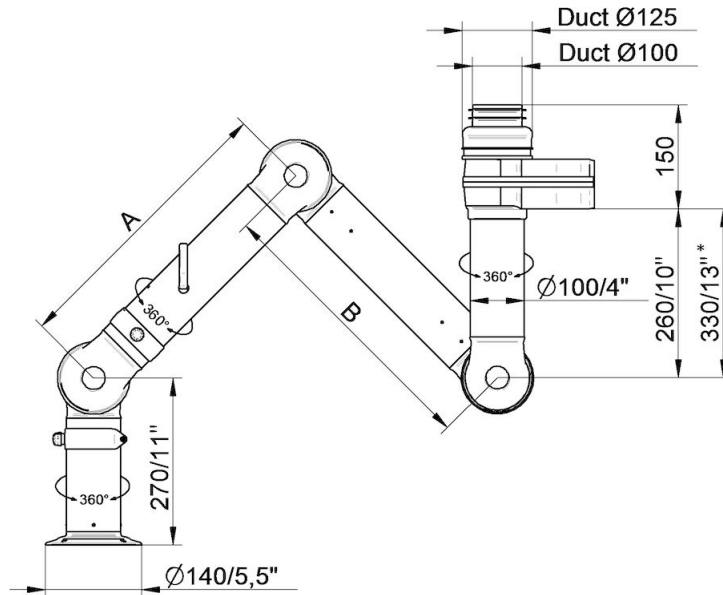


- FX2-ESD/EX-D100-L1200-Up/Down-Thru  
Part number: 70606744  
Max. working radius: 1170 mm (46,1 in)  
A: 450 mm (17,7 in)  
B: 450 mm (17,7 in)

- FX2-ESD/EX-D100-L1800-Down-Through  
Part number: 70607144  
Max. working radius: 1770 mm (69,7 in)  
A: 750 mm (29,5 in)  
B: 750 mm (29,5 in)



## BenchTop Extraction Arm FX2 100 ESD/EX

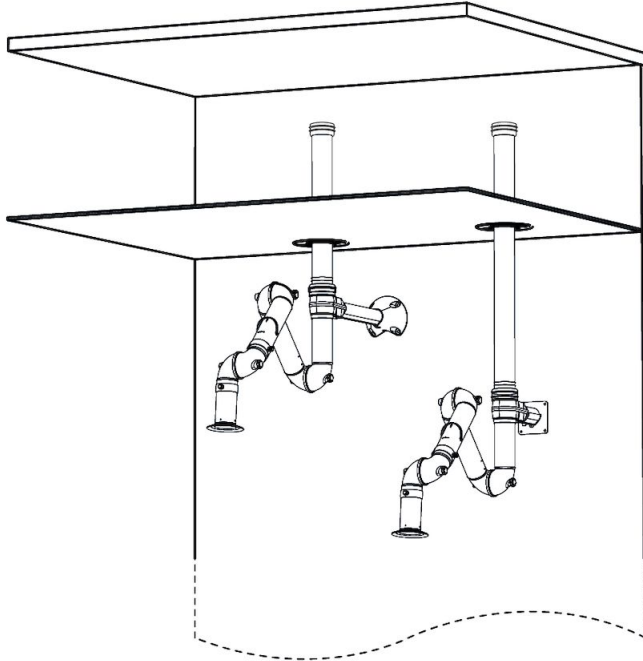


- FX2-ESD/EX-D100-L1200-Up/Down-Low  
Part number: 70606544  
Max. working radius: 1170 mm (46,1 in)  
A: 450 mm (17,7 in)  
B: 450 mm (17,7 in)

- FX2-ESD/EX-D100-L1800-Up-Low  
Part number: 70606844  
Max. working radius: 1770 mm (69,7 in)  
A: 750 mm (29,5 in)  
B: 750 mm (29,5 in)

- \* • FX2-ESD/EX-D100-L2400-Up-Low  
Part number: 70607244  
Max. working radius: 2290 (90,16 in)  
A: 1010 mm (39,7 in)  
B: 1010 mm (39,7 in)

## BenchTop Extraction Arm FX2 100 ESD/EX



### Wall mounting examples:

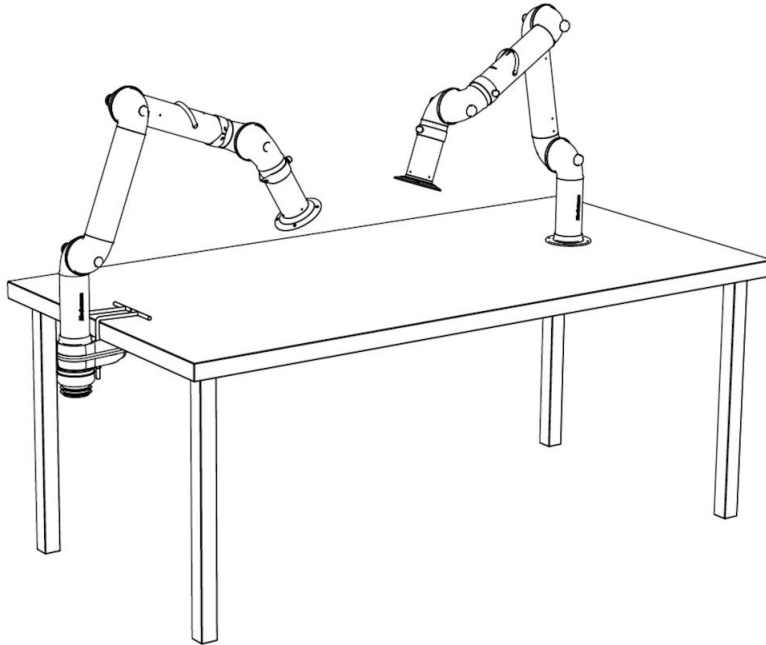
Left: FX2-Up-Low arm with following accessories:

- FX2-Bracket kit-D-50/75/100-L500
- FX2-Ceiling cover plate-PLUS
- FX2-Alu duct
- FX2-Duct connector-ESD/EX-D100

Right: FX2-Up-Low arm with following accessories:

- FX2-Wall BRKT kit-Flat-L190-Black
- FX2-Ceiling cover plate-PLUS
- FX2-Alu duct
- FX2-Duct connector-ESD/EX-D100

## BenchTop Extraction Arm FX2 100 ESD/EX



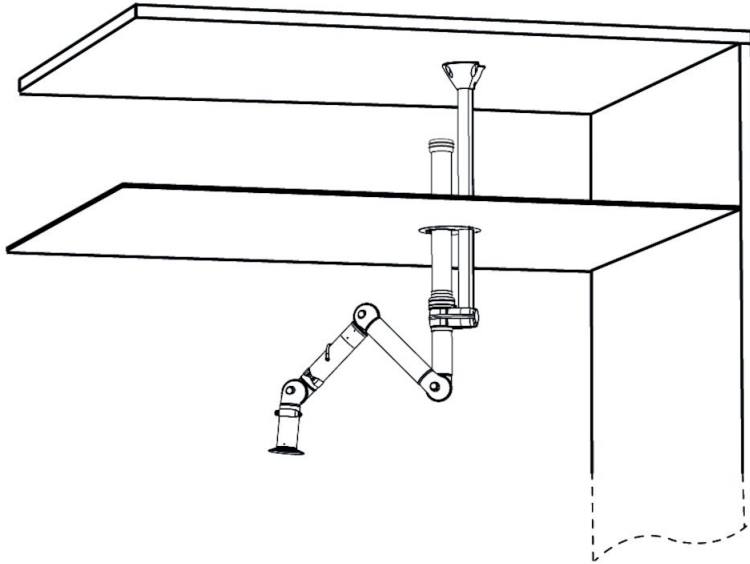
Bench mounting examples:

Left: FX2-Down-Low arm with following accessories:

-FX2-Bench bracket kit-D-50/75/100

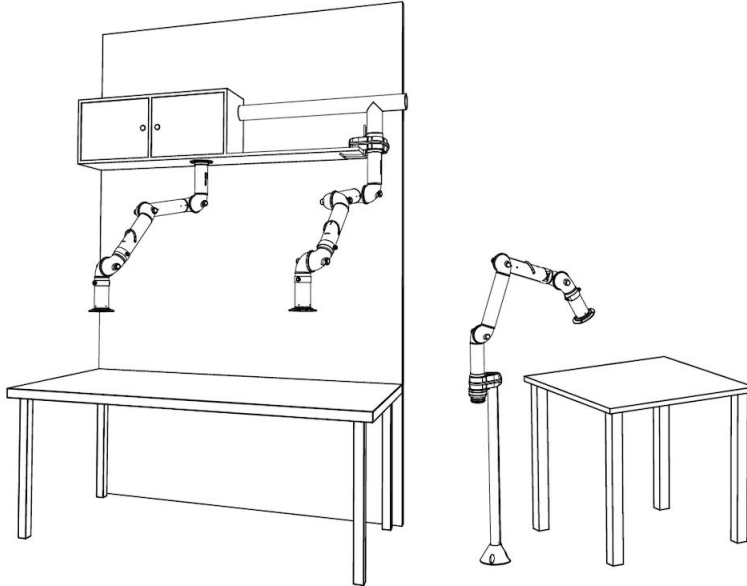
Right: FX2-Down-Through arm

## BenchTop Extraction Arm FX2 100 ESD/EX



- Ceiling mounting example:  
FX2-Up-Low arm with following accessories:
- FX-Classic bracket
  - FX-Cut2fit extension-L1100
  - FX2-Alu duct
  - FX2-Duct connector-ESD/EX-D100
  - FX-Ceiling cover plate

## BenchTop Extraction Arm FX2 100 ESD/EX



Other mounting examples:

Left: Overbench cabinet mounting with FX2-Up/Down-Through arm

Middle: Shelf mounting with FX2-Up-Low arm and following accessories:

-FX2-Bench bracket kit

Right: Floor mounting with FX2-Up-Low arm and following accessories:

-FX-Classic bracket

-FX-Cut2fit extension-L1100